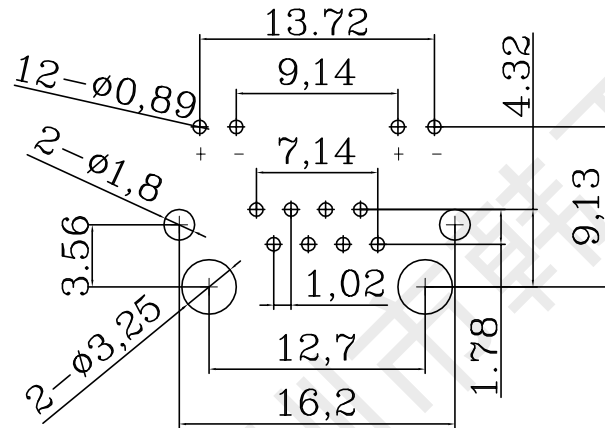
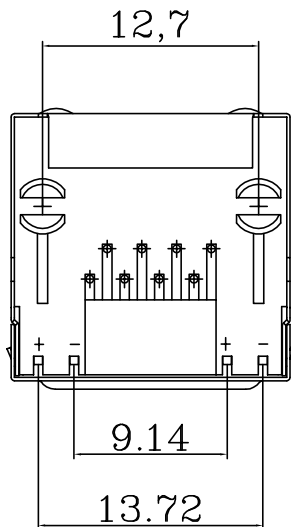
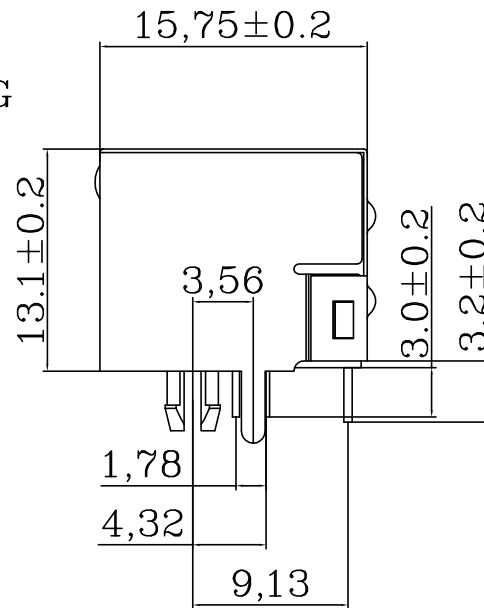
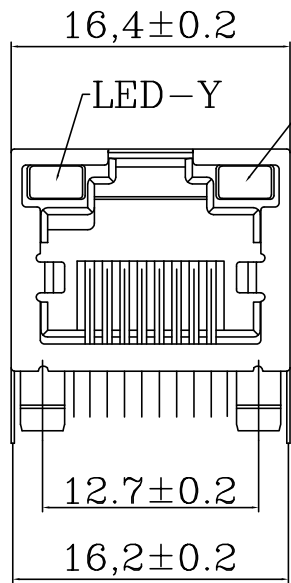


REVISION RECORD				
REV	ECO	DESCRIPTION	DRFT	CHKD



PC Board Layout
Component Side Shown

Specifications:

1. Electrical:

Rated voltage and current: 125V 1.5A Max
Contact resistance: 50mΩ Max Initial state
100mΩ Max End state

Insulation resistance: 500MΩ Min

Withstand Voltage: AC 1000V

2. Mechanical:

Durability: 750 Cycles 20-30Cycles/Min

3. Material:

Shell: 0.20mm Thickness Coper Alloy With Nickel Plated

Housing: Glass Filled Polyester UL94V-0

Contact: Phosphor Bronze

Plating: Gold Plating Fu" 50u" Over Nickel

4. Temperature Range: -25°C to +85°C.

5. Welding temperature: 260±5°C 3±0.5S

TOLERANCES EXCEPT AS NOTED MM .0 ± 0.15 ± .01 ± 0.075 ± .000 ± 0.05 ±	DFTO 黄彬 DATE 2020.8.25			
	CHKD 张伟 DATE 2020.8.25			
	MFO DATE			
	APPLY 罗小琴 DATE 2020.8.25			
ANGLES ± 0.5	QT'Y :	TITLE		
THIRD ANGLE PROJECTION	FINISH :	HX-RJ45 90 5631-1x1 LED		
SCALE :	DO NOT SCALE DRAWING	DRAWING NO. TE5JA1002	SIZE A3	REV 0
		/PART NO.		
		SHEET X	OF Y	