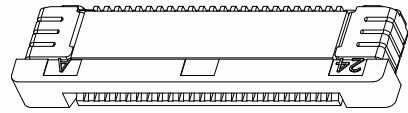
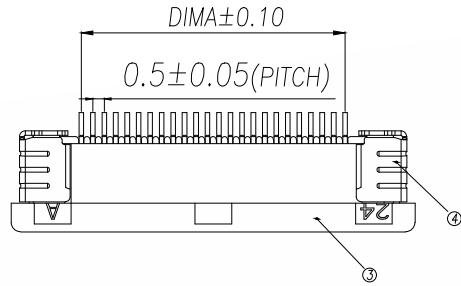
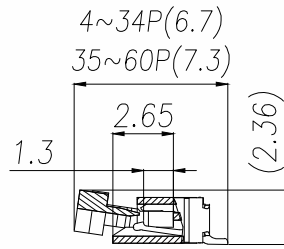
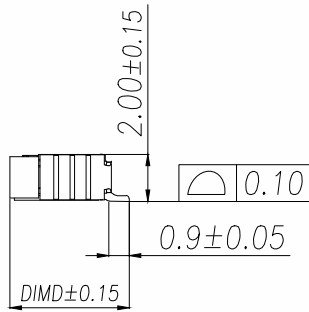
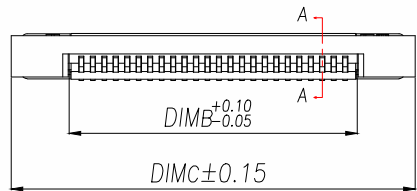


A		B		C		D		E	
REV.	DESCRIPTION					ECN NO.	NAME	DATE	

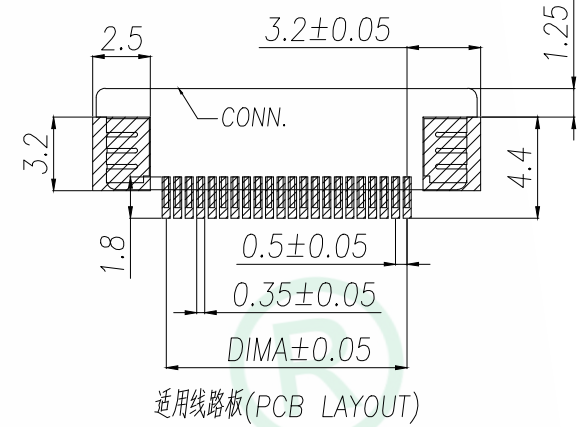
1



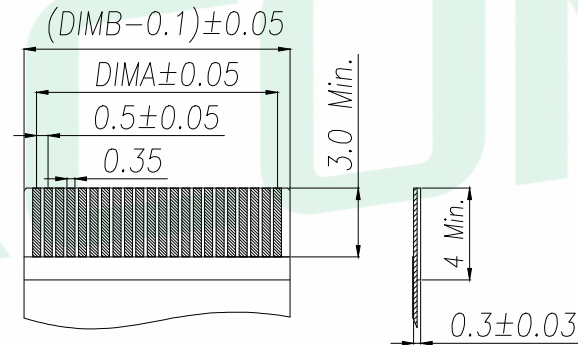
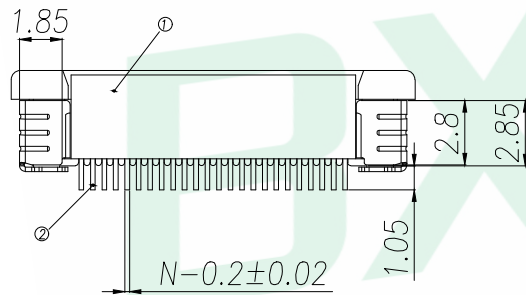
2



SECTION A-A



3



通用扁平线(Applicable Flat Cable)

Part No	Pin	A	B	C	D
FPC07-S4-FCA	4	1.50	2.56	7.60	5.20
FPC07-S5-FCA	5	2.00	3.06	8.10	
FPC07-S6-FCA	6	2.50	3.56	8.60	
FPC07-S7-FCA	7	3.00	4.06	9.10	
FPC07-S8-FCA	8	3.50	4.56	9.60	
FPC07-S9-FCA	9	4.00	5.06	10.10	
FPC07-S10-FCA	10	4.50	5.56	10.60	
FPC07-S11-FCA	11	5.00	6.06	11.10	
FPC07-S12-FCA	12	5.50	6.56	11.60	
.....	
FPC07-S34-FCA	34	16.50	17.56	22.60	5.75
FPC07-S35-FCA	35	17.00	18.06	23.10	
FPC07-S36-FCA	36	17.50	18.56	23.60	
.....	
FPC07-S60-FCA	60	(60-1)*0.5	(60+1)*0.5+0.06	(60+11)*0.5+0.1	

4

序号	品名	材质
1	0.5拉拔胶芯(H2.0)	LCP UL94V-0 本色
2	0.5拉拔下接端子(H2.0)	铜合金/表面镀锡
3	0.5拉拔胶式后盖(H2.0)	LCP UL94V-0 黑色
4	0.5拉拔弹片(H2.0)	铜合金/表面镀锡

技术指标:

1. 塑件表面应光洁、无毛边、无明显收缩、缺陷、裂纹等现象。
2. 温度范围: -25°C~+85°C.
3. 额定电压: 50V, AC/DC.
4. 接触电阻: ≤0.03Ω.
5. 绝缘电阻: ≥500MΩ

5

GENERAL TOLERANCE		DONGGUAN BAOXUN PRECISION TECHNOLOGY CO., LTD			
DIM.	TOL.	TITLE: 0.5 Pitch H2.0 ZIF R/A Type 3 Unper CONN.			
.x	±0.30	DWG. NO.: FPC07-SX-FCA		CHECKED: MAX	
.xx	±0.20	PART NO.: FPC07-SX-FCA		DRAWN: ELLA	
.xxx	±0.05	UNIT: mm		APPROVED: WILL	
GENERAL ANGLE:		SCALE: none	SHEET: 1 of 1	DWG. SIZE: A4	LAYER: bxconn
.x°	±5'				
.xx°	±2'				
.xxx°	±1'				

BXCONN®

