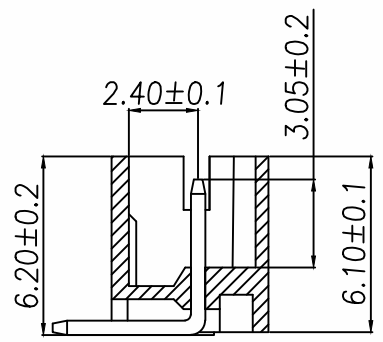
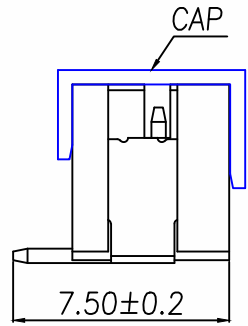
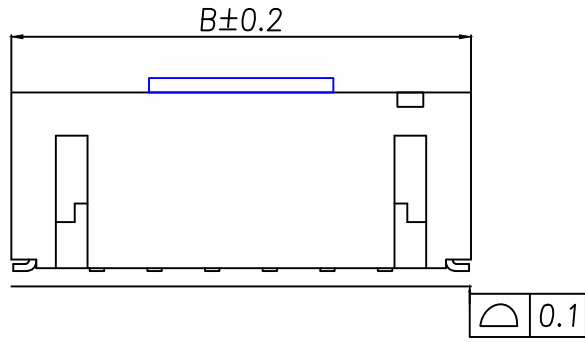


REV.	DESCRIPTION	ECN NO.	NAME	DATE
A1	依据实物修改图纸	BXBG2600011	ELLA	26.2.12

1
2
3
4
5

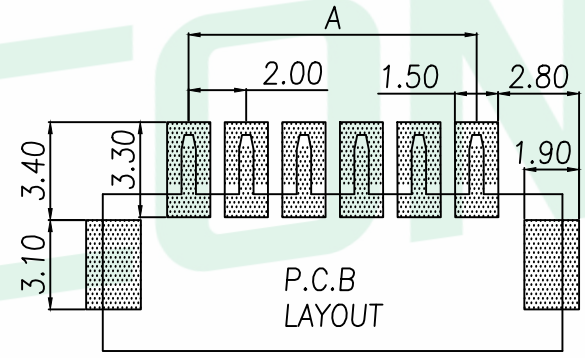
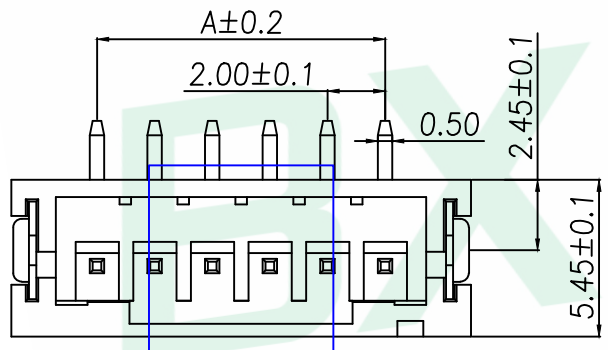


NOTES:

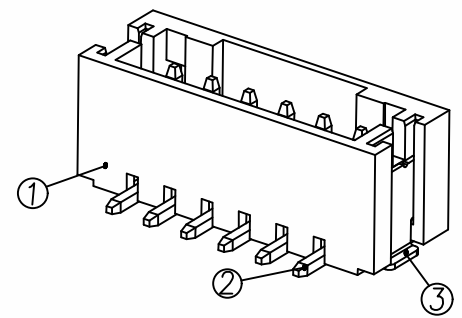
- 1.BASE: LCP
- 2.PIN: Brass
- 3.Solder Tab: Brass

SPECIFICATIONS:

- 1.Spacing: 2.0
- 2.Voltage Rating: 250V AC DC
- 3.Current Rating: 2A AC DC
- 4.Insulation Resistance: 800MΩ Min
- 5.Contact Resistance: 20mΩ Max
- 6.Withstanding voltage: 500V AC 1/Minute
- 7.Temperatuer Range: -25℃ ~+ 85℃



Part No	Pin	A	B
WF-1E200A2P	2	2.00	8.00
WF-1E200A3P	3	4.00	10.00
WF-1E200A4P	4	6.00	12.00
WF-1E200A5P	5	8.00	14.00
WF-1E200A6P	6	10.00	16.00
WF-1E200A7P	7	12.00	18.00
WF-1E200A8P	8	14.00	20.00
WF-1E200A9P	9	16.00	22.00
WF-1E200A10P	10	18.00	24.00
WF-1E200A11P	11	20.00	26.00
WF-1E200A12P	12	22.00	28.00
WF-1E200A13P	13	24.00	30.00
WF-1E200A14P	14	26.00	32.00
WF-1E200A15P	15	28.00	34.00
WF-1E200A16P	16	30.00	36.00



GENERAL TOLERANCE	DONGGUAN BAOXUN PRECISION TECHNOLOGY CO., LTD	
DIM. TOL. X.:±0.2 .X.:±0.1 .XX.:±0.05	TITLE: WAFER 2.00 立贴	
GENERAL ANGLE: X':±5° X.X':±3° X.XX':±1°	DWG. NO.: WF-1E200AXP	CHECKED: MAX
	PART NO.: WF-1E200AXP	DRAWN: ELLA
	UNIT: mm	SCALE: none
	SHEET: 1 of 1	DWG. SIZE: A4
	LAYER: bxconn	APPROVED: WILL

BXCONN[®]