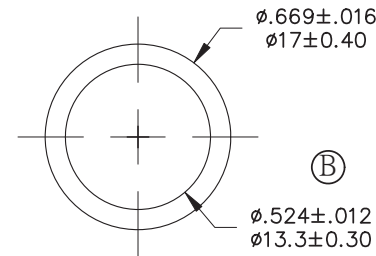
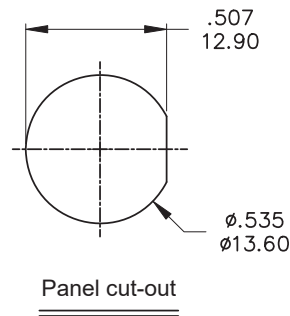
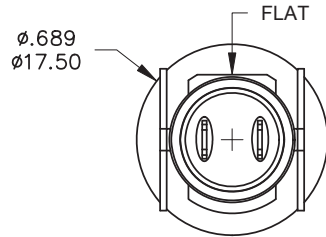
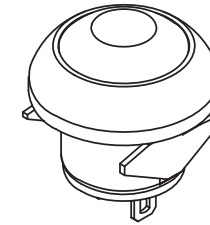
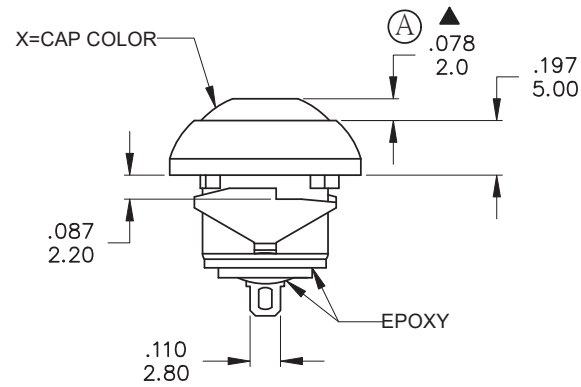
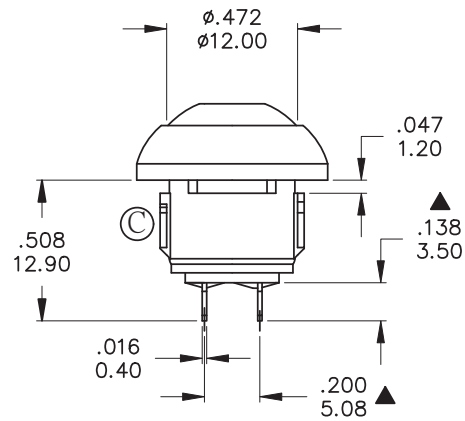
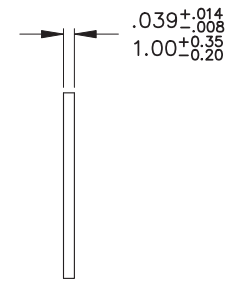


本公司智慧財產，未經同意不得複製
DAILYWELL copyright, may not be used
without permission from DAILYWELL



EVA WASHERx1/pc
FSU-PA01



X=CAP COLOR	
1	White
2	Black
3	Red
4	Orange
5	Yellow
6	Green
7	Blue

Model No.	POS.1	POS.2
PAS6	OFF	(ON)
Term. Comm.	OPEN	SHORT
SCHEMATIC		

SWITCH FUNCTION

SPECIFICATIONS

Max. current/voltage rating with resistive load:
400 mA 32 VAC - 100 mA 50 VDC - 125 mA 125 VAC.
INITIAL CONTACT RESISTANCE: 50 mΩ max.
INSULATION RESISTANCE: 1 GΩ min. at 500 VDC.
DIELECTRIC STRENGTH: 1,000 VAC rms.
ELECTRICAL LIFE AT FULL LOAD: 500,000 cycles.
PANEL THICKNESS: 0.8 mm (.031 inch) min. ~1.8 mm (.071 inch) max.
TOTAL TRAVEL: 1.5 mm (.059 inch).
OPERATING FORCE: 2N~5N.
CONTACT BOUNCE: 10 ms.
MECHANICAL LIFE: 1,000,000 cycles.
SOLDERING: 350°C max. for 5 seconds.
DEGREE OF PROTECTION: IP67

MATERIALS

CASE: Diallyl phthalate (DAP) (UL 94 V-0).
CAP: Polyamide 6/6.
BUSHING: Polyamide 6/6.
TERMINALS: Copper, Gold over silver plated.
CONTACT: Brass, Gold over silver plated.
RoHS & Lead Free

德利威電子股份有限公司
DAILYWELL ELECTRONICS CO.,LTD.

符號	原尺寸	修改後尺寸	變更日期	SCALE (比例) : 3 : 2	TITLE 圖名	Sub - Miniature Pushbutton Switches	SIZE 圖紙	A4		
1 (A)	2.00	2.0	MAR-19-2013	TOLERANCE (公差) : 0.00mm±0.25mm 0.0mm±0.40mm ANGULAR: ±5° FILE NAME : PASP0080	DWG NO. 圖號	PAS6B1M1CAS3-5		UNIT 單位	inch mm	
2 (B)	依據N1607修訂FSU-PA01尺寸公差		MAR-31-2016		REV. 版本	D	DATE 日期	AUG - 10 - 2009	SHEET 張數	1 of 1
3 (C)	新增跳板/端子材質 設變新結構(GC25051901)		JUL-14-2025		APPROVE 審核	顧睿豐	CHECK 確認	賴忠佑	DRAW 製圖	IRENE
4 (D)										
5 (E)										