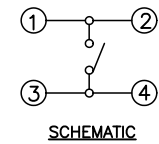
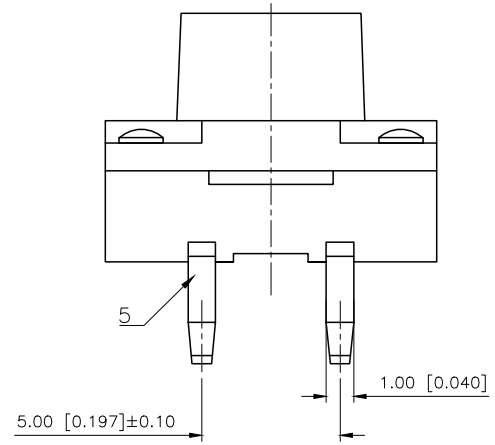
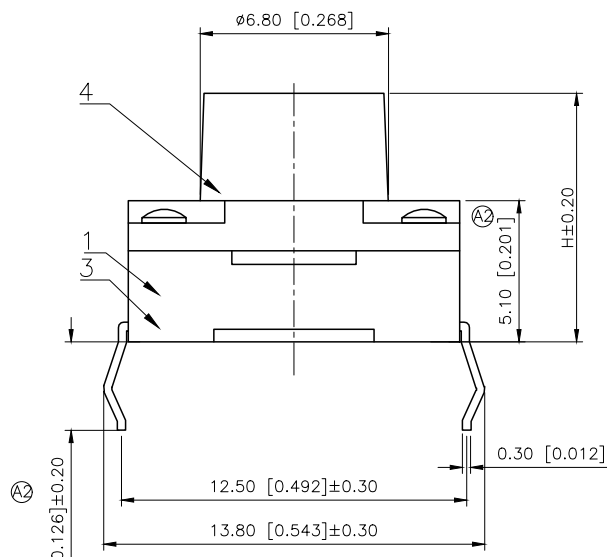
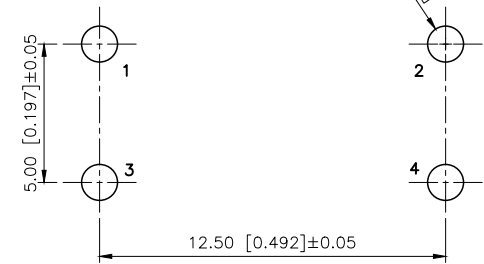
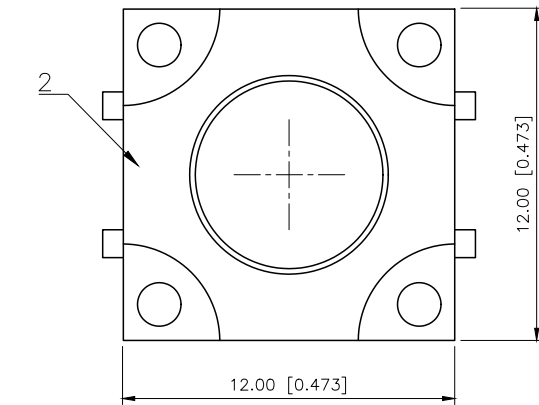


REVISIONS					
REV.	ECN NO.	LOCATION	DESCRIPTION	DATE	DESIGN
A1	N/A		图面升级整理图面	2025.05.28	阿树
A2	ECN-P-2025120901	Ⓐ2X2	产品尺寸, 按力及材质变更	2025.12.09	阿树

Code-x	H	Code-x	H
E	6.00	Q	12.00
F	6.50	R	12.50
G	7.00	S	13.00
H	7.50	T	13.50
I	8.00	U	14.00
J	8.50	V	14.50
K	9.00	W	15.00
L	9.50	X	15.50
M	10.00	Y	16.00
N	10.50	Z	17.00
O	11.00		
P	11.50		



- Specifications (规格):
- Voltage rating (额定电压): DC 12V
 - Current rating (额定电流): 0.5A AC/DC
 - Withstanding voltage (耐压值): ≥250V AC/minute
 - Insulation resistance (绝缘电阻): ≥100MΩ Min
 - Contact resistance (接触电阻): ≤100mΩ Max
 - Mating cycles (使用寿命): 50,000 cycles Min
 - Operating force (按力): ±50gf
 - Travel: 0.25mm
 - Temperature range (使用温度): -25°C ~ +80°C



PAPT NO	TC-FS1212D-X-X
Operating Force	A:100gf B:160gf C:250gf
Height	Code-X

ITEM	PAPT NAMF	QTY	MATERIAL	FINISHING
7	PAD	1	PPA	Black
6	Base	1	Silicone t=0.30	Black
5	Cards	2	Brass t=0.30	Ag Plating
4	Button	1	PPA	Black
3	Reeds	1	SUS301 t=0.09	F.ag
2	Cover	1	PPA	Black
1	Pedestal	1	PPA	Black

AuGLAR	±5°
X.	±0.40
X.x	±0.30
X.xx	±0.20
X.xxx	±0.15
UNSPECIFIED TOLERAUCES	



DESIGN	阿树
CHECKED	
APPROVED	

VIEW:

UNIT: mm/in

SIZE: A4

MODEL TYPE:	TACT SWITCH
PART NO.:	TC-FS1212D-X-X
DWG NO.:	

XKB INDUSTRIAL PRECISION CO., LIMITED

SCALE	PAGE	REVISION
N/A	1/1	A2