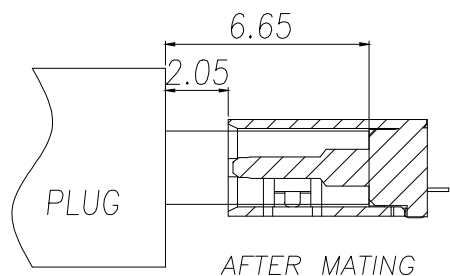


NOTE:

- 1.MATERIAL SPECIFICATION:
  - 1.HOUSING:HIGH TEMPERATURE RESISTANT PLASTIC,UL94 V-0.
  - 2.TERMINAL: COPPER ALLOY(C1815)
  - 3.MID PLATE: STAINLESS STEEL(SUS301)
  - 4.FRONT SHELL: STAINLESS STEEL(SUS304)
- 2.PLATING SPECIFICATION:
  - 2-1.TERMINAL:
    - Ni 50u" MIN. UNDER PLATED OVER ALL.
    - Au PLATED ON THE FUNCTIONAL AREA OF CONTACT.
    - CONTACT FUNCTIONAL AREA PLATED : Au G/F
    - CONTACT SOLDER AREA PLATED : Au G/F
  - 2-2.FRONT SHELL:
    - Ni 30u" MIN. UNDER PLATED OVER ALL.
  - 2-3.MID PLATE:
    - CLEAR ONLY
- 3.MECHANICAL PERFORMANCE,
  - 3-1.INSERTION FORCE: 0.5~2.0kgf.
  - 3-2.REMOVAL FORCE: 0.8kgf~2.0kgf.
  - 3-3.DURABILITY: 10000 CYCLES.
- 4.ELECTRICAL PERFORMANCE,
  - 4-1. VOLTAGE RATING:5 V DC/AC (RMS. max)
  - CURRENT RATING:5 AMPS. FOR TOTAL VBUS/GND PINS;  
1.25AMPS FOR CC PIN,0.25 AMPS. FOR ALL OTHER CONTACT.
  - 4-2. LLCR:
    - VBUS & GND PINS AND OTHER PINS: 40mA/PIN MAX.
    - LLCR MAX. CHANGE OF ALL PINS: 10mA.
  - 4-3.INSULATION RESISTANCE: 100MΩ MIN
  - 4-4.DIELECTRIC WITHSTAND VOLTAGE,AC 100V FOR 1 MINUTE.
5. ENVIRONMENTAL PERFORMANCE:
  - OPERATING TEMPERATURE: -40°C~+85°C.
- 6.IR REFLOW:
  - THE PEAK TEMPERATURE ON THE BOARD SHALL BE MAINTAINED FOR 10 SECONDS AT 260°C.

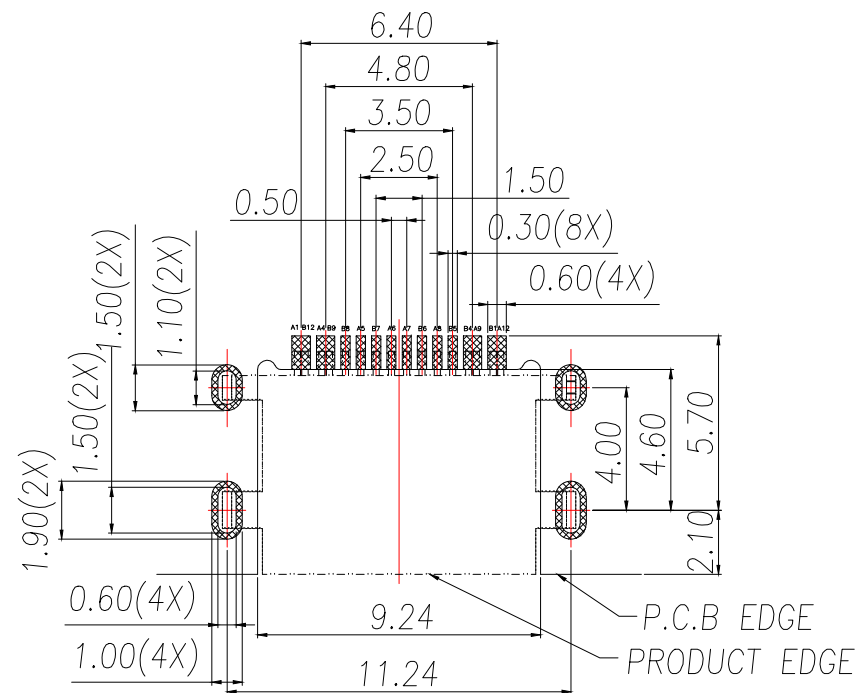
SECTION:A-A

| 制图<br>DRAWN | 变更内容<br>DESCRIPTION | 日期<br>DATE | GENERAL TOLERANCE |        | 制图<br>DRAWING  | EMMA |             | 料号<br>PART NO.   | BX-TYPE-C-MCB16P                     | 版本<br>REV.  | A   |
|-------------|---------------------|------------|-------------------|--------|----------------|------|-------------|------------------|--------------------------------------|-------------|-----|
|             |                     |            | X.±0.30           | X.*±8° | 审核<br>CHECK    | EVA  |             | 品名<br>TITLE      | USB CF 16PIN (L=6.5) MID MOUNT 1.6MM | 页次<br>SHEET | 1/1 |
|             |                     |            | .X±0.20           | .X*±5° | 核准<br>APPROVAL | JADE |             | 客户料号<br>CUTM.NO. |                                      |             |     |
|             |                     |            | .XX±0.10          |        | 单位<br>UNITS    | MM   | 比例<br>SCALE | 1:1              | Bossie (博锡)                          |             |     |



USB TYPE-C PIN ASSIGNMENTS

| PIN NUMBER | SIGNAL NAME | PIN NUMBER | SIGNAL NAME |
|------------|-------------|------------|-------------|
| A1         | GND         | B12        | GND         |
| A4         | VBUS        | B9         | VBUS        |
| A5         | CC1         | B8         | SBU2        |
| A6         | Dp1         | B7         | Dn2         |
| A7         | Dn1         | B6         | Dp2         |
| A8         | SBU1        | B5         | CC2         |
| A9         | VBUS        | B4         | VBUS        |
| A12        | GND         | B1         | GND         |

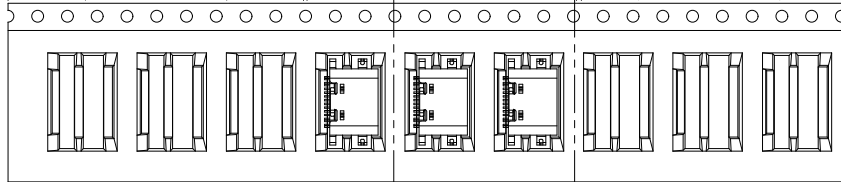


RECOMMENDED PCB LAYOUT(TOP VIEW)  
THICKNESS 0.80MM;DEFAULT TOLERANCE:±0.05

| 制图<br>DRAWN | 变更内容<br>DESCRIPTION | 日期<br>DATE | GENERAL TOLERANCE |        | 制图<br>DRAWING | 料号<br>PART NO.                       | 版本<br>REV. | 页次<br>SHEET | 页次<br>SHEET |
|-------------|---------------------|------------|-------------------|--------|---------------|--------------------------------------|------------|-------------|-------------|
|             |                     |            | X.±0.30           | X.°±8° | EMMA          | BX-TYPE-C-MCB16P                     | A          |             |             |
|             |                     |            | .X±0.20           | .X°±5° | EVA           | USB CF 16PIN (L=6.5) MID MOUNT 1.6MM |            | 1/1         |             |
|             |                     |            | .XX±0.10          |        | JADE          | 客户料号<br>CUTM.NO.                     |            |             |             |
|             |                     |            |                   |        | 单位<br>UNITS   | MM                                   |            |             |             |
|             |                     |            |                   |        | 比例<br>SCALE   | 1:1                                  |            |             |             |

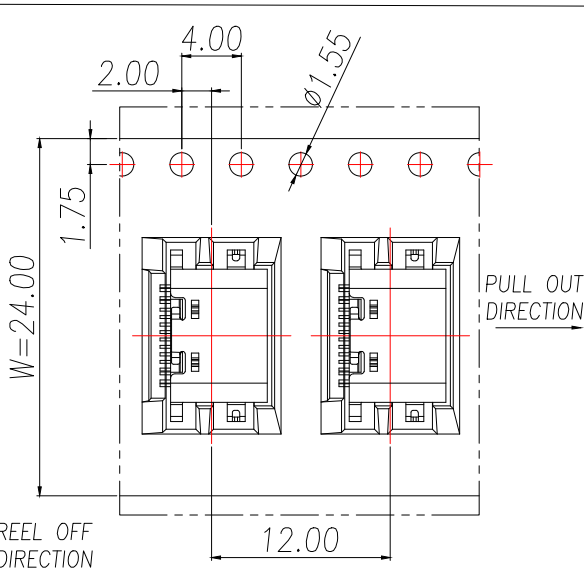
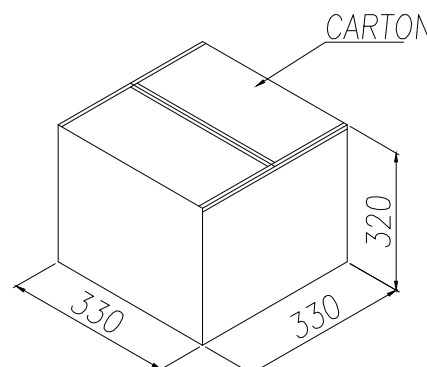
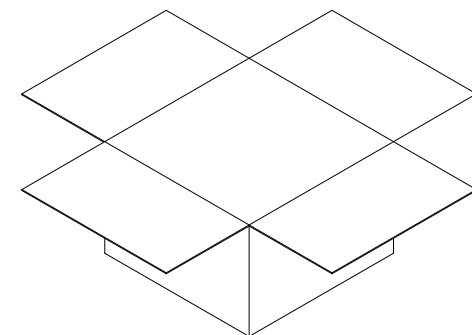
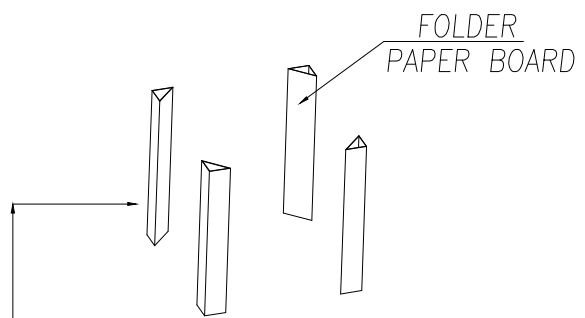
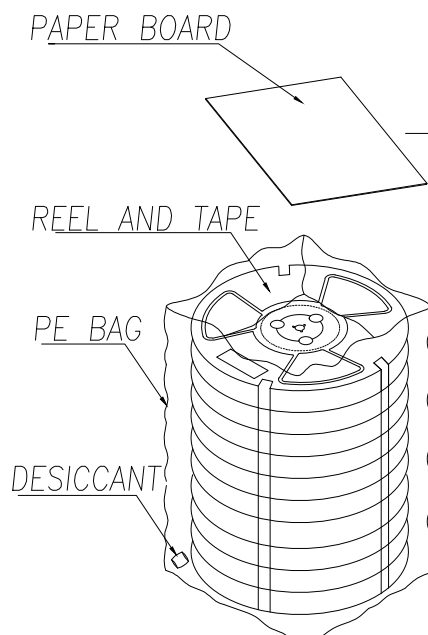
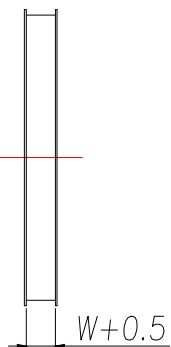
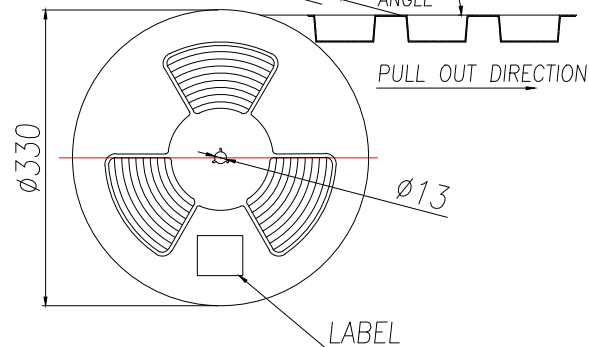
**JB Bossie (博锡)**

REEL OFF SECTION 1400PCS PULL OUT DIRECTION  
(16 POCKETS) (16 POCKETS)



SEE DETAIL X

PEELING DIRECTION 165°~180° PEELING ANGLE



|                 |             |
|-----------------|-------------|
|                 | REEL CARTON |
| CONNECTOR (PCS) | 1400 14000  |

|             |                     |                |                   |                  |               |      |                |                  |            |   |
|-------------|---------------------|----------------|-------------------|------------------|---------------|------|----------------|------------------|------------|---|
| 制图<br>DRAWN | 变更内容<br>DESCRIPTION | 日期<br>DATE     | GENERAL TOLERANCE |                  | 制图<br>DRAWING | EMMA | 料号<br>PART NO. | BX-TYPE-C-MCB16P | 版本<br>REV. | A |
|             |                     |                | X.±0.30           | X.*±8°           |               |      |                |                  |            |   |
| .X±0.20     | .X*±5°              | 核准<br>APPROVAL | JADE              | 客户料号<br>CUTM.NO. | 比例<br>SCALE   | 1:1  |                |                  |            |   |
|             |                     |                |                   |                  |               |      | .XX±0.10       | 单位<br>UNITS      | MM         |   |

