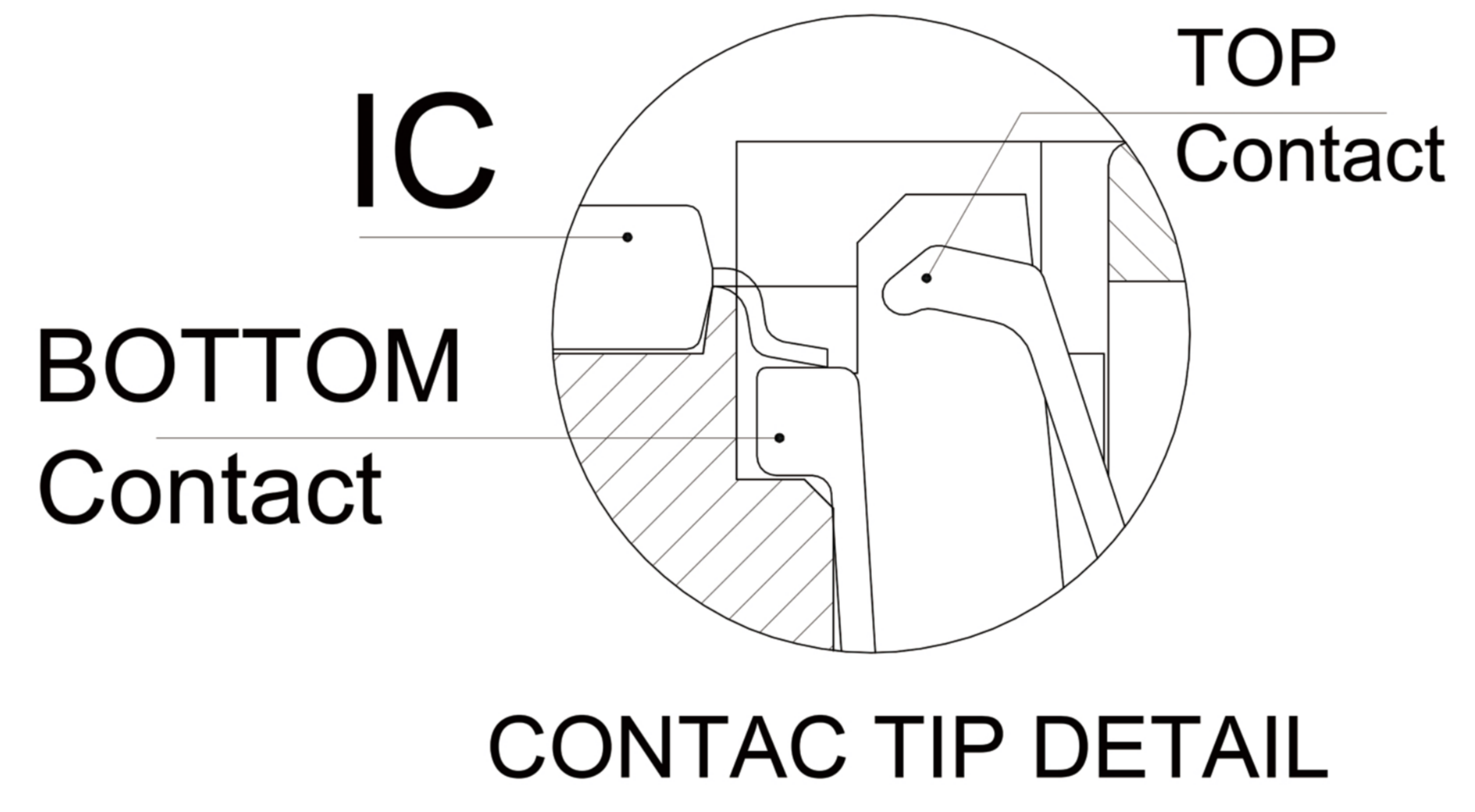
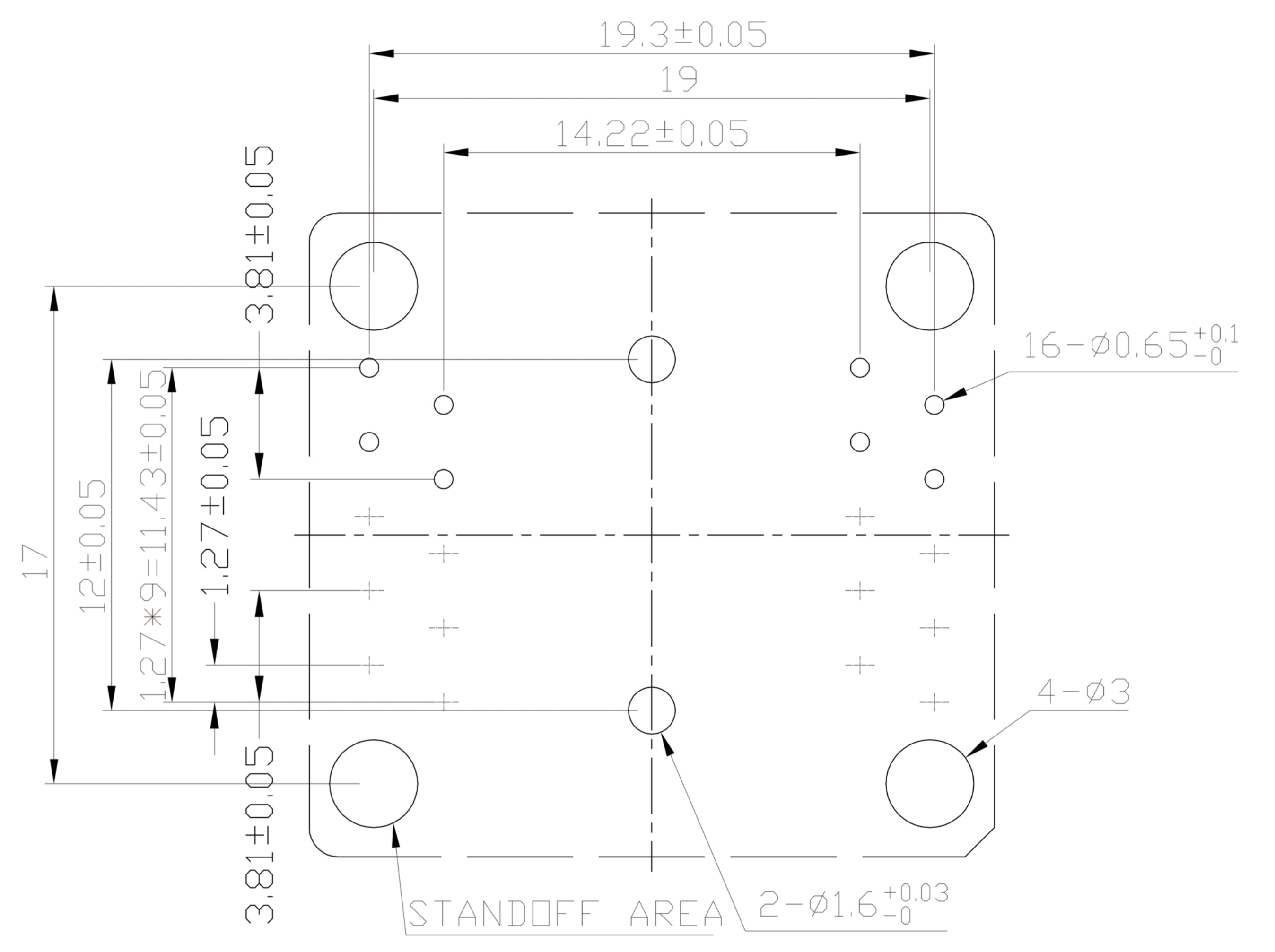


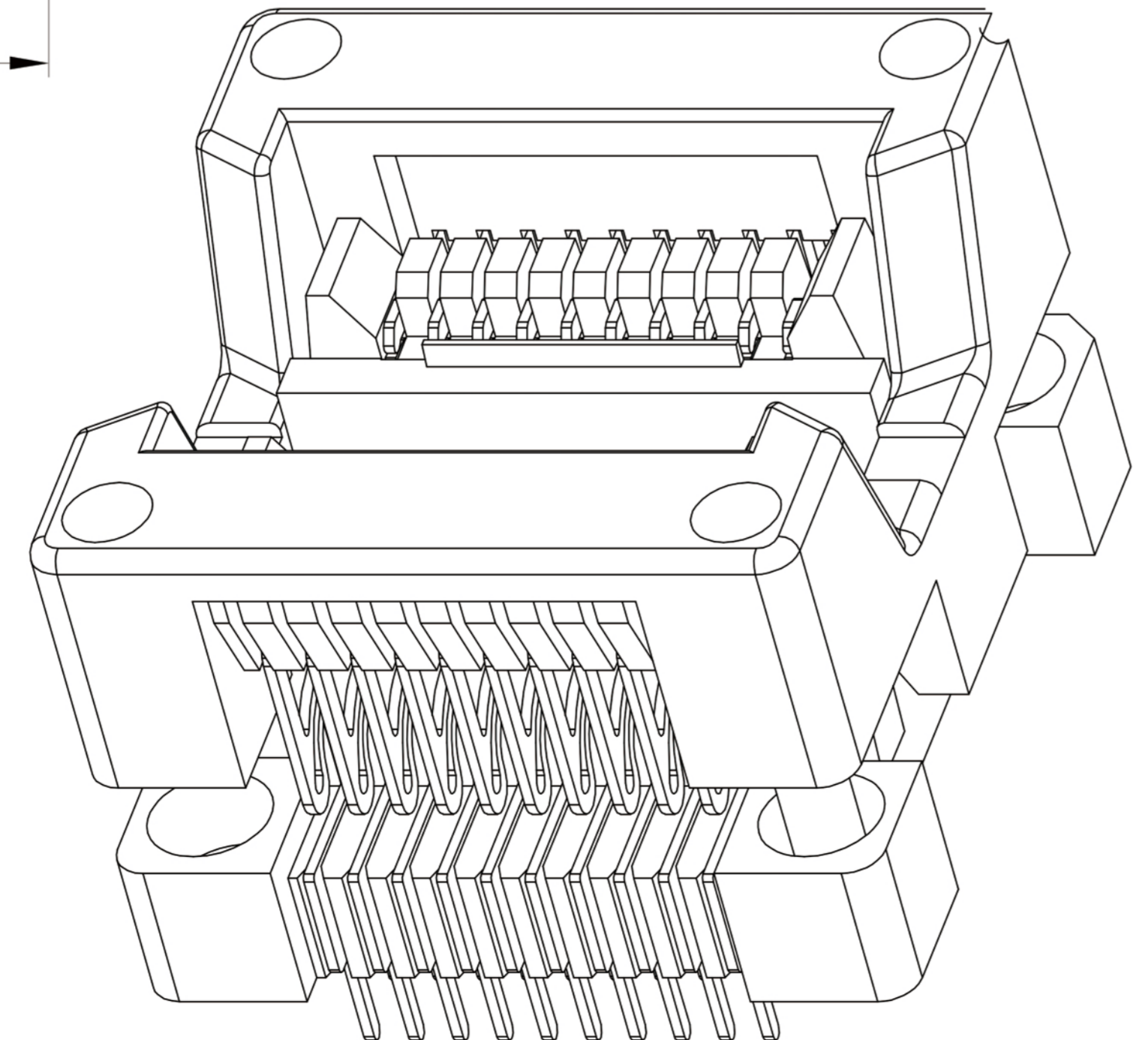
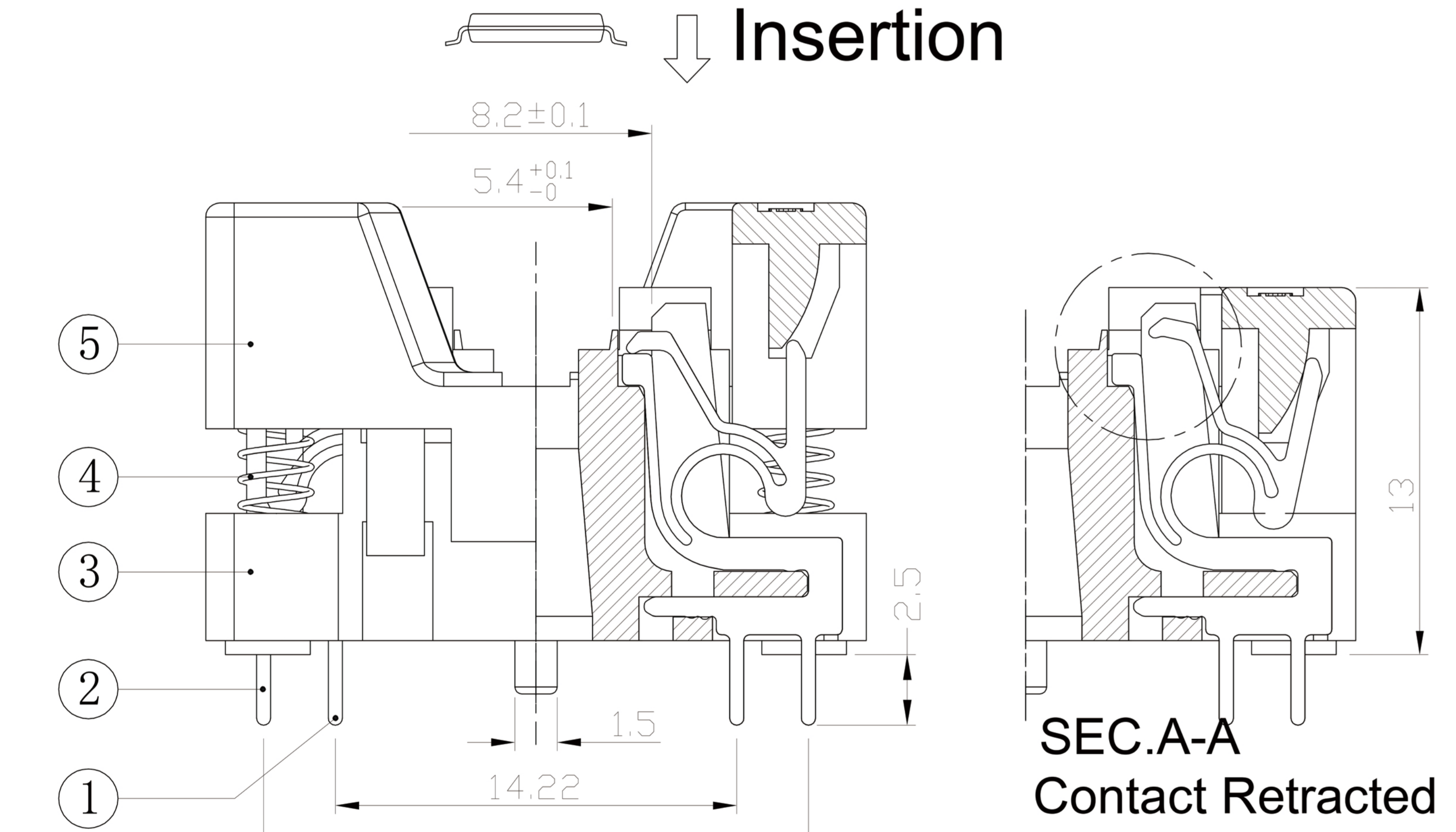
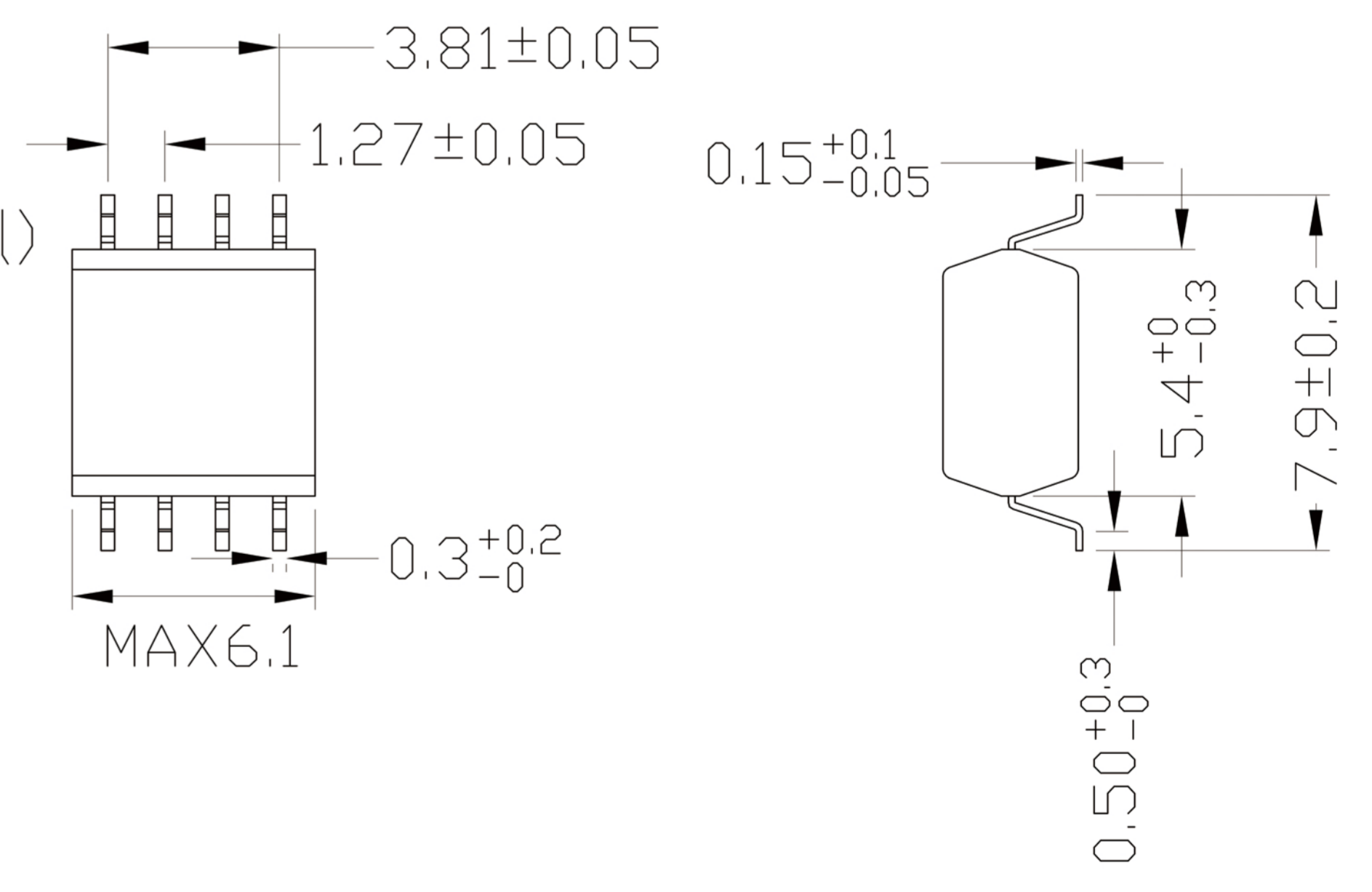
**PCB PATTERN (TOP VIEW)**



**PERFORMANCE**

1. Insulation Resistance: 1000mΩ Min.At DC 500V
2. Dielectric Withstanding Voltage For 1 Minute At AC 700V
3. Contact Resistance 30mΩ MAX. at 10mA and 20mV MAX.(Initial)
4. Current Rating: 1A max.
5. Operation Temperature -55°C ~+175°C
6. Contact Force 5-8g Per Pin (Normal)
7. Life Span 15,000 Times (Mechanical)
8. Operation Force 1.0 Kg MAX

**APPL ICABLE IC**



6	SOP-20-U01-003	ADAPTER	PEI/PES	1	BLACK
5	SOP-20-U01-002	COVER	PEI/PES	1	BLACK
4	30-B-4515X	SPRING	SUS	4	FOR COVER
3	SOP-20-U01-001	BASE	PEI/PES	1	BLACK
2	SOP-20-MSBR-02	CONTACT	BeCu	8	Au PLATING
1	SOP-20-MSBR-01	CONTACT	BeCu	8	Au PLATING
No	Part Number	Name	Material	Q/ty	Note

PROJECTION		GENERAL TOLERANCES	±0.10	TITLE	SOP20-1.27 SOCKET
DIMENSION:	mm	REV	A	CLASS	SOP-8(20)-1.27-01
APP:		SCALE:	1:1	DRW. NO	SOP-8/20-1.27-M02
CHECK:		DATE:			
DEGK: ENG02		DATE: 20120828			