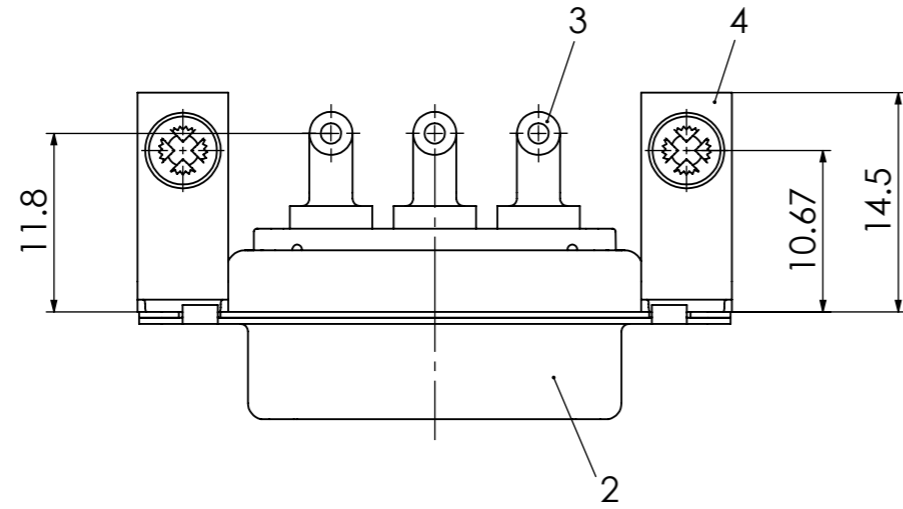
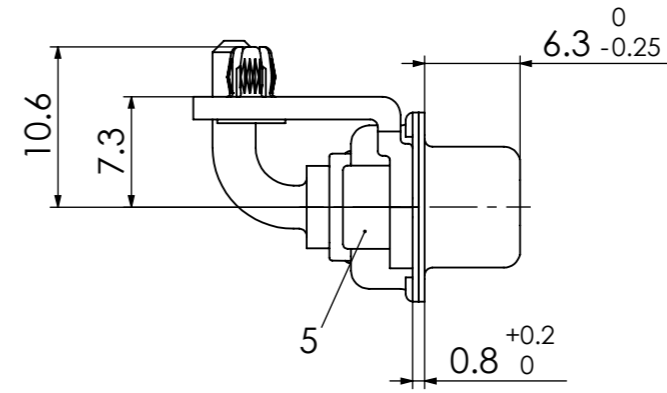
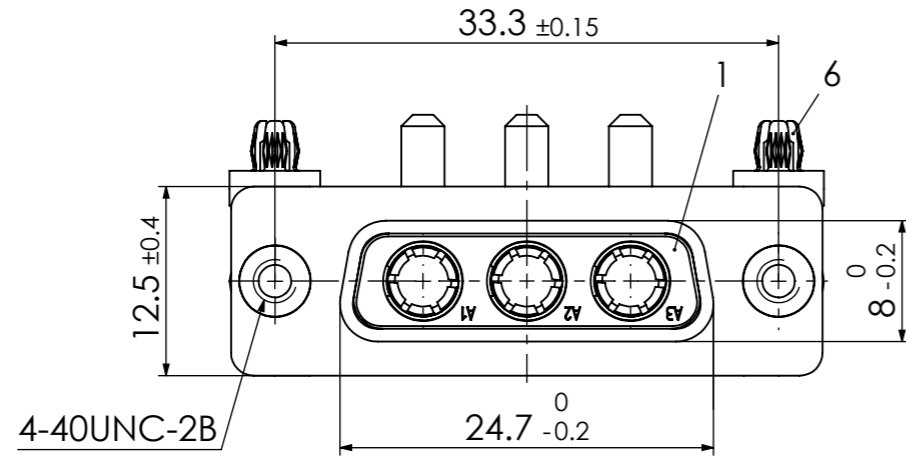
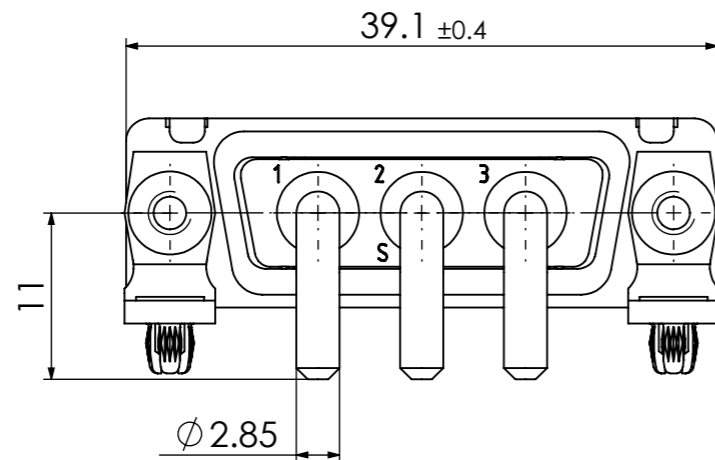
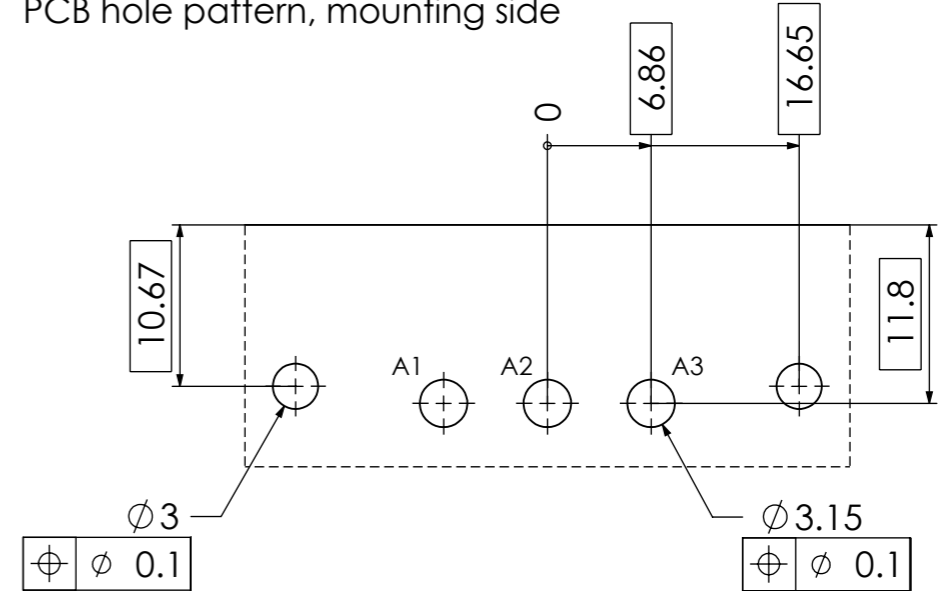


RoHS compliant
by exemption



PCB hole pattern, mounting side



No.	St.	Part	Type Description/Material	Surface plating/Colour/Class
6	2	Snap-in rivet	PCB 1.6mm / Brass	tin plated
5	2	Clinch nut	MW 4-40 / Steel	tin plated
4	2	Bracket	F1080-13B / Steel	tin plated
3	3	High power contact	FMP008S104R	20A
2	1	Shell	Steel	tin plated
1	1	Insulator	PBT (-55°C to +130°C) acc. UL94V-0	green

FUNCTIONAL SYMBOLS					THIS DRAWING CONTAINS INFORMATION THAT IS PROPRIETARY TO MOLEX ELECTRONIC TECHNOLOGIES, LLC AND SHOULD NOT BE USED WITHOUT WRITTEN PERMISSION				
▽ = 0	▽ = 0	▽ = 0	DIMENSION UNITS	SCALE	MEASUREMENTS WITHOUT TOLERANCE ACC. TO ISO 2768-m			molex	
			mm	2:1					
					CURRENT REVISION			FCT-D-Sub Mixed-Layout Connector	
					DRWN: DRAWN BY mteubel 04-12-2023				
					APPR: APPR BY msteinbrueck 05-12-2023			PRODUCT CUSTOMER DRAWING	
					INITIAL REVISION				
					DRWN: DRAWN BY ADenzinger 28-09-2005			MATERIAL NUMBER	
					APPR: APPR BY sschref 29-09-2005				
					REVISION			1731070646	
					REPLACEMENT FOR: 1731070646_Rev.A1				
					FRIST ANGLE PROJECTION			DOCUMENT NUMBER	
					DRAWING				
					A3-SIZE			FM3W3S-1343	
					GENERAL MARKET				
					SHEET NUMBER			3	
					1 OF 1				

COMMENT: ALL RIGHTS ARE RESERVED BY US FOR THIS DRAWING. WITHOUT OUR PRIOR CONSENT, IT MAY NEITHER BE DUPLICATED NOR MADE AVAILABLE TO A THIRD PARTY. AND IT ALSO MAY NOT BE IMPROPERLY USED BY THE RECEIVER, OR A THIRD PARTY.