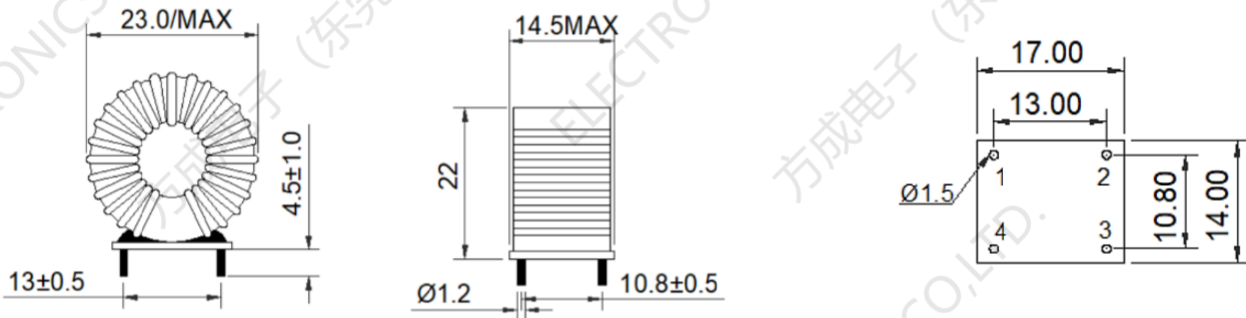


FC-DL2018D-5.0mH-20A-L Common Mode Power Line Choke

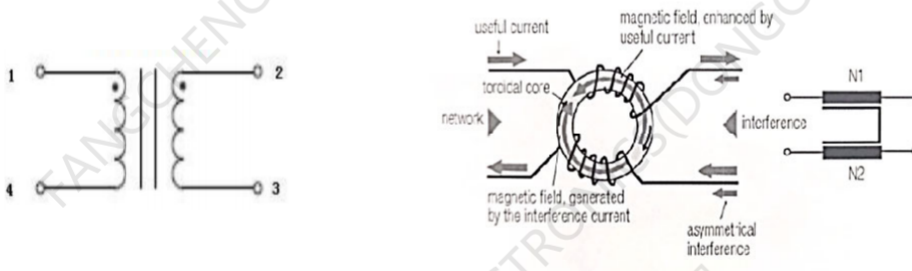
- 1.Suitable for common noise reduction of AC Line.  
适用于交流输入线路 EMI
- 2.Common mode noise filter for broadband transmission or communication equipment  
2. 宽频传输或通信设备的共模噪声滤波器 .
- 3. Low power coupled common mode inductor  
低功耗耦合共模电感



1. Dimensions:mm



3. Schematic:



4. ELECTRIC CHARACTERICS

Part Number	Inductance L:mH /typ 1.0KHZ/0.3V	RDC (mΩ) @ 25°C	Current Rating (A)	Insulation test voltage(DCV)
FC-DL2018D-5.0mH-20A-L	3.5-5.0-8.0	6.0/max	20.0A	1000V

Electrical Specifications @ 25°C — Operating Temperature -40°C to +125°C .