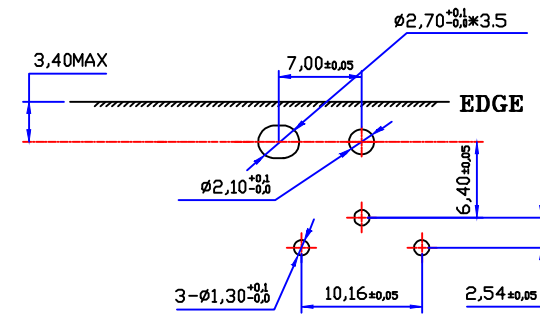
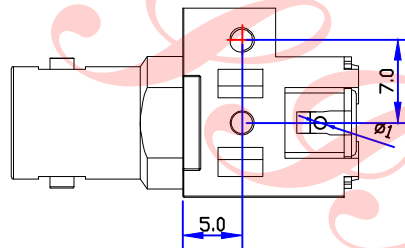
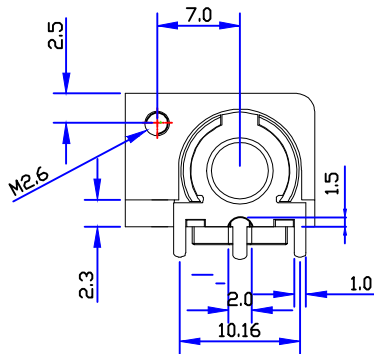
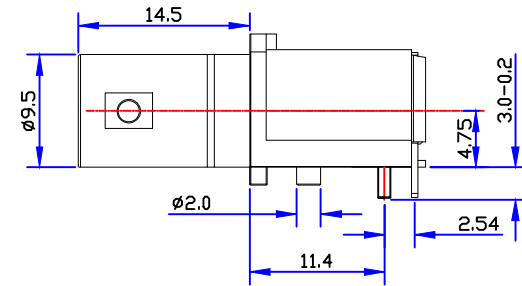
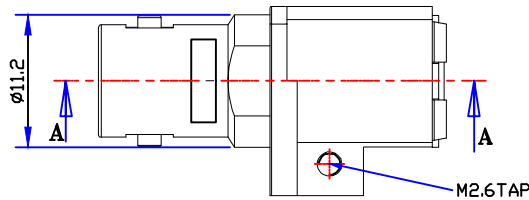
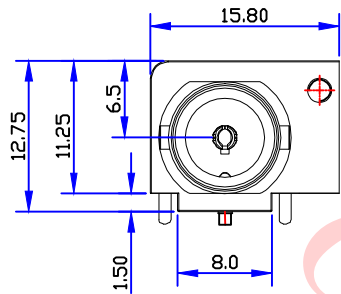




Product NO.		DOSIN-801-0407		
REV	DESCRIPTION	DWN	DATE	APPROVEN
A	First issue	CHEN	2016/8/02	John kine



### Specifications

Impedance:75 Ohms  
 Frequency Range:DC~3G  
 VSWR:1.3MAX  
 Working Voltage:500V rms @ sea level  
 Insulation Resistance:5000 Ohms min  
 Temperature Range:-65°C TO +165°C  
 Relative Temperature:≤95%(40° C±2° C)  
 Drawings products are in line with ROHS standards

NOTE:		Tolerance	0-6 ±0.10 6-30 ±0.20 30-120 ±0.40 Angular ±2°
DRAWN	2016/8/02	View	
Zelin. CHEN		UNIT	MM
CHECKED		SCALE	1:1
APPROVALS	02/8.2016	DateTime	2016/8/02
John		CAD FILE	D/company drawings/BD

**DOSIN** Dosin Industrial(H.K)Co.Ltd  
 东莞市德索五金电子制品有限公司  
 Dosin Hardware Electronics Co.,Ltd  
 E-mail:dosin2005@163.com  
 dosin2005@dosin-china.com  
 Web:http://www.dosinconn.com  
 TEL:(0086)769-81153906  
 FAX:(0086)769-81875836

3	BODY	ZINC	NICKEL	1
2	CONTACT PIN	Brass	GOLD	1
1	INSULATOR	TEFLON	White	1
NO	DESCRIPTION	MATERIAL	FINISH	QTY

Name:		BNC CONNECTOR	
SIZE	Product NO.	REV	
A	DOSIN-801-0407	A	
SHEET: 1 OF 1			