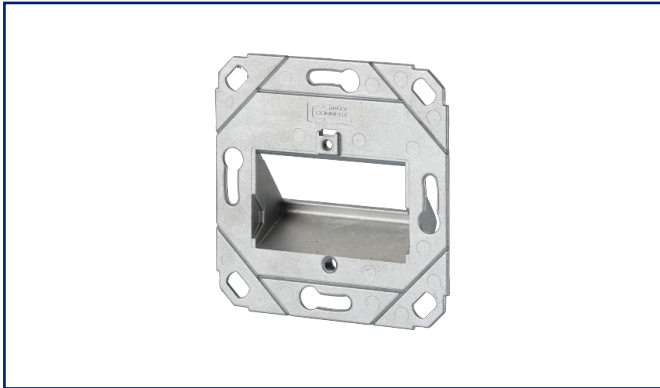
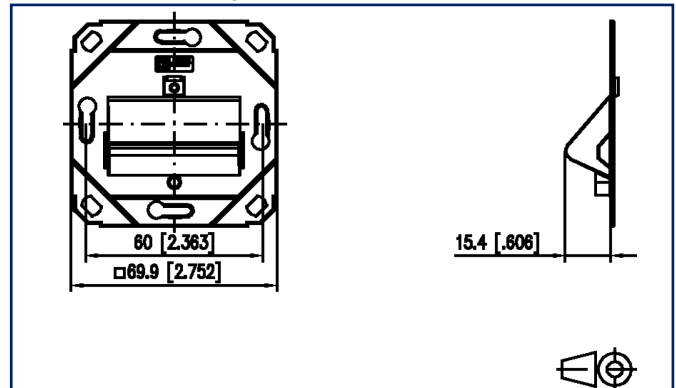


Data sheet**Keystone wall outlet flush mounted without cover
3 port unequipped**

Page 1/6

P/N
130B20D31200KE
EAN 4250184157700
2024/09/17
Version: U**Illustrations**

Dimensional drawing



See enlarged drawings at the end of document

Product specification

- termination unit for individual modules in Keystone design
- module plug direction 45° downwards
- strain relief on the module
- without cover parts
- compatible with design central units of switch lines
- variants: 1 port, 2 ports, 3 ports



P | Cabling

Data sheet

Page 2/6

Keystone wall outlet flush mounted without cover 3 port unequipped

P/N
130B20D31200KE
EAN 4250184157700
2024/09/17
Version: U

Technical Data

General Data

| | |
|---|-----------------------------------|
| Fields of application | office areas |
| Mechanical measurement according to MICE | M1 |
| Ingress measurement according to MICE | I1 |
| Climatic measurement according to MICE | C1 |
| Electromagnetic measurement according to MICE | E3 |
| Design | wall outlet |
| Mounting style | UP0 |
| Color | metallike |
| Dimensions | |
| Dimension (L x W x H) | 15.4 mm x 69.9 mm x 69.9 mm |
| Dimension (L x W x H) | 0.606 in. x 2.752 in. x 2.752 in. |

Connections/interfaces

| | |
|--------------------------------------|---------------|
| Number of ports interface 2 | 3 |
| Number of ports interface 2 equipped | 0 |
| Module plug-in direction | 45° downwards |

Mechanical data

| | |
|---------------|--------------------|
| Cut-out | Keystone |
| strain relief | attached to module |

Materials and material properties

| | |
|-----------------------------|-----------|
| Material - Supporting frame | GD-Zn |
| Halogen free | yes |
| RoHS | compliant |

Classifications

| | |
|----------|----------|
| ETIM 7.0 | EC001264 |
| ETIM 8.0 | EC001264 |
| ETIM 9.0 | EC001264 |



P | Cabling

Data sheet

Page 3/6

Keystone wall outlet flush mounted without cover 3 port unequipped

P/N

130B20D31200KE

EAN 4250184157700

2024/09/17

Version: U

Technical Data

Packing details

| | |
|---------------------------------|-----------------------------------|
| Type of packaging | 10 pc(s) / box |
| Packaging unit - Weight (gram) | 597 g |
| Packaging unit - Weight (pound) | 1.32 lb |
| Packaging dimension | 240 mm x 170 mm x 140 mm |
| Packaging dimension | 9.449 in. x 6.693 in. x 5.512 in. |

Application note

This product is a standard product of METZ CONNECT. METZ CONNECT is not aware of the specific intended use of the goods by the Customer or any customers of the Customer. The Customer guarantees that it has fully and sufficiently tested the use of the goods and any product modifications, product changes or product enhancements with regard to the specific intended use in accordance with the state of the art or in any other way. At METZ CONNECT's request, the Customer shall submit and make available meaningful evidence (e.g. test and laboratory protocols, certifications, etc.).



P | Cabling

Data sheet

Page 4/6

Keystone wall outlet flush mounted without cover 3 port unequipped

P/N

130B20D31200KE

EAN 4250184157700

2024/09/17

Version: U

Accessories

| P/N | Designation |
|---------------|--|
| 130829-01-I | Surface mount frame 85 x 85 x 35 mm - single, pearl white |
| 130829-02-I | Surface mount frame 85 x 85 x 35 mm - Single, pure white |
| 130829-4301-I | Surface mount frame 85 x 85 x 43 mm - single, pearl white |
| 130829-4302-I | Surface mount frame 85 x 85 x 43 mm - single, pure white |
| 130829-4327-I | Surface mount frame 85 x 85 x 43 mm - single, traffic white |
| 1308895010-I | T-Slot mounting bracket for wall outlets - horizontal mounting without 50 mm, separation cup |
| 1308895011-I | T-Slot mounting bracket for wall outlets - horizontal mounting 50 mm, with separation cup |
| 1308895020-I | DIN Rail mounting bracket for wall outlets - horizontal mounting 50 mm, without separation cup |
| 1308895021-I | DIN Rail mounting bracket for wall outlets - horizontal mounting 50 mm, with separation cup |
| 1308895040-I | T-Slot mounting bracket for wall outlets - vertical mounting 50 mm, without separation cup |
| 1308895041-I | T-Slot mounting bracket for wall outlets - vertical mounting 50 mm, with separation cup |
| 1308895220-I | DIN rail mounting bracket for wall outlets - horizontal mounting 52 mm, without separation cup |
| 1308895221-I | DIN rail mounting bracket for wall outlets - horizontal mounting 52 mm, with separation cup |
| 1308895510-I | T-Slot mounting bracket for wall outlets - horizontal mounting 55 mm, without separation cup |
| 1308895511-I | T-Slot mounting bracket for wall outlets - horizontal mounting 55 mm, with separation cup |
| 1308895520-I | DIN rail mounting bracket for wall outlets - horizontal mounting 55 mm, without separation cup |
| 1308895521-I | DIN rail mounting bracket for wall outlets - horizontal mounting 55 mm, with separation cup |
| 1308895540-I | T-Slot mounting bracket for wall outlets - vertical mounting 55 mm, without separation cup |
| 1308895541-I | T-Slot mounting bracket for wall outlets - vertical mounting 55 mm, with separation cup |
| 130889ADTK-I | Mounting bracket ADTK for OBO |
| 130889ADTSA-I | Mounting bracket ADTSA for OBO |
| 130889FKH-I | Mounting bracket FR for Kleinhuis |
| 130889FNI-I | Mounting bracket FR for Niedax |
| 130889FTE-I | Mounting bracket FR for Tehalit |

P | Cabling

Data sheet

Page 5/6

Keystone wall outlet flush mounted without cover 3 port unequipped

P/N

130B20D31200KE

EAN 4250184157700

2024/09/17

Version: U

Accessories

| | |
|---------------|---|
| 130910KI | E-DAT modul Cat.6 _A K jack - Keystone style |
| 130910KZ | E-DAT modul Cat.6 _A K jack - Keystone style (12 pcs) |
| 130B21-25-E | 25Gmodul - Keystone |
| 130B21-25-Z | 25Gmodul - Keystone style (12 pcs) |
| 130B21-E | C6 _A modul K 180° jack - keystone style |
| 130B21-Z | C6 _A modul K 180° jack - Keystone style (12 pcs) |
| 820395-0101-I | Cover plate 80 x 80 mm, pearl white, module |
| 820395-0102-I | Cover plate 80 x 80 mm, pure white, module |
| 820395-0127-I | Cover plate 80 x 80 mm, traffic white, modul |
| 860210-0402-I | Central plate 50 x 50 mm 3 port, pure white, modul |
| 860210-0427-I | Central plate 50 x 50 mm 3 port, traffic white, modul |
| 860210-04-I | Central plate 50 x 50 mm 3 port, pearl white, modul |

P | Cabling

Data sheet

Page 6/6

Keystone wall outlet flush mounted without cover
3 port unequipped

P/N
130B20D31200KE
EAN 4250184157700
2024/09/17
Version: U

Illustrations

Dimensional drawing

