

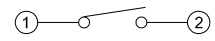
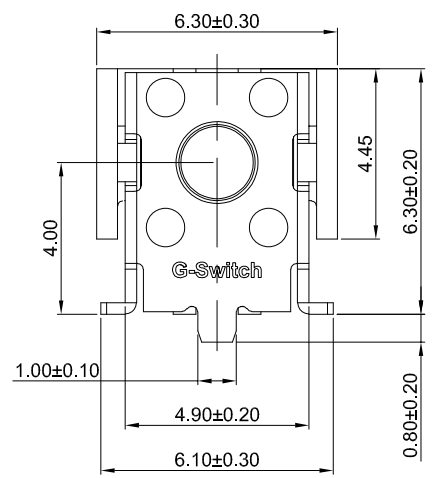
GT-TC185X-H038-L1

G-Switch

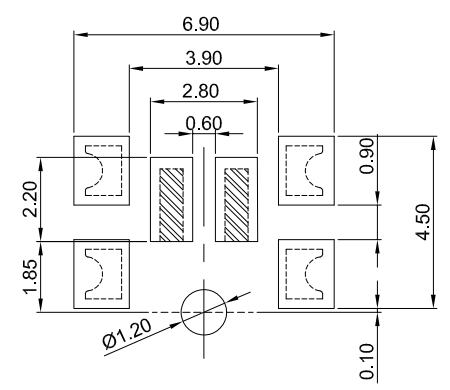
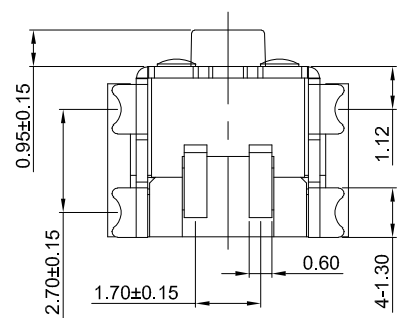
Operating Force
A=160gf±50gf
B=240gf±50gf

Switch Height(mm)
H038=3.80

Switch Lifetime
L1=100,000 Cycles



CIRCUIT DIAGRAM



PCB REFERENCE DIAGRAM
TOLERANCE:±0.05

G-Switch Specification:

1. Operating temperature range: -40°C ~ +85°C
2. Rating: 50mA, 12V DC
3. Insulation resistance: 100MΩ min, 100V DC
4. Dielectric strength: 250V AC for 1 min
5. Contact resistance: 100mΩ max.
6. Travel: 0.25±0.1mm

NO.	PART NAME	MATERIAL	REMARK
6	SHEATH	PA	BLACK
5	COVER	COPPER ALLOY H62	Ni PLATED
4	STEM	PA	BLACK
3	CONTACT	STAINLESS STEEL 301	Ag PLATED
2	TERMINAL	COPPER ALLOY H62	Ag PLATED
1	BASE	PA	BLACK



SCALE: 1:1 UNIT: mm
SIZE: A4

Unless otherwise
General Tolerance:
L<1 ±0.10
1<L<5 ±0.20
5<L<15 ±0.25
15<L ±0.30
X° ±3°

Title: Horizontal Tact Switch
SMT 6.30×4.90×H3.80mm

Molde Code: GT-TC185X-H038-L1			
DRAWN	CHECKED	APPROVED	DATE
Wu	Xla	Chen	2025.05.08



REV: A0 SHEET: 1/1