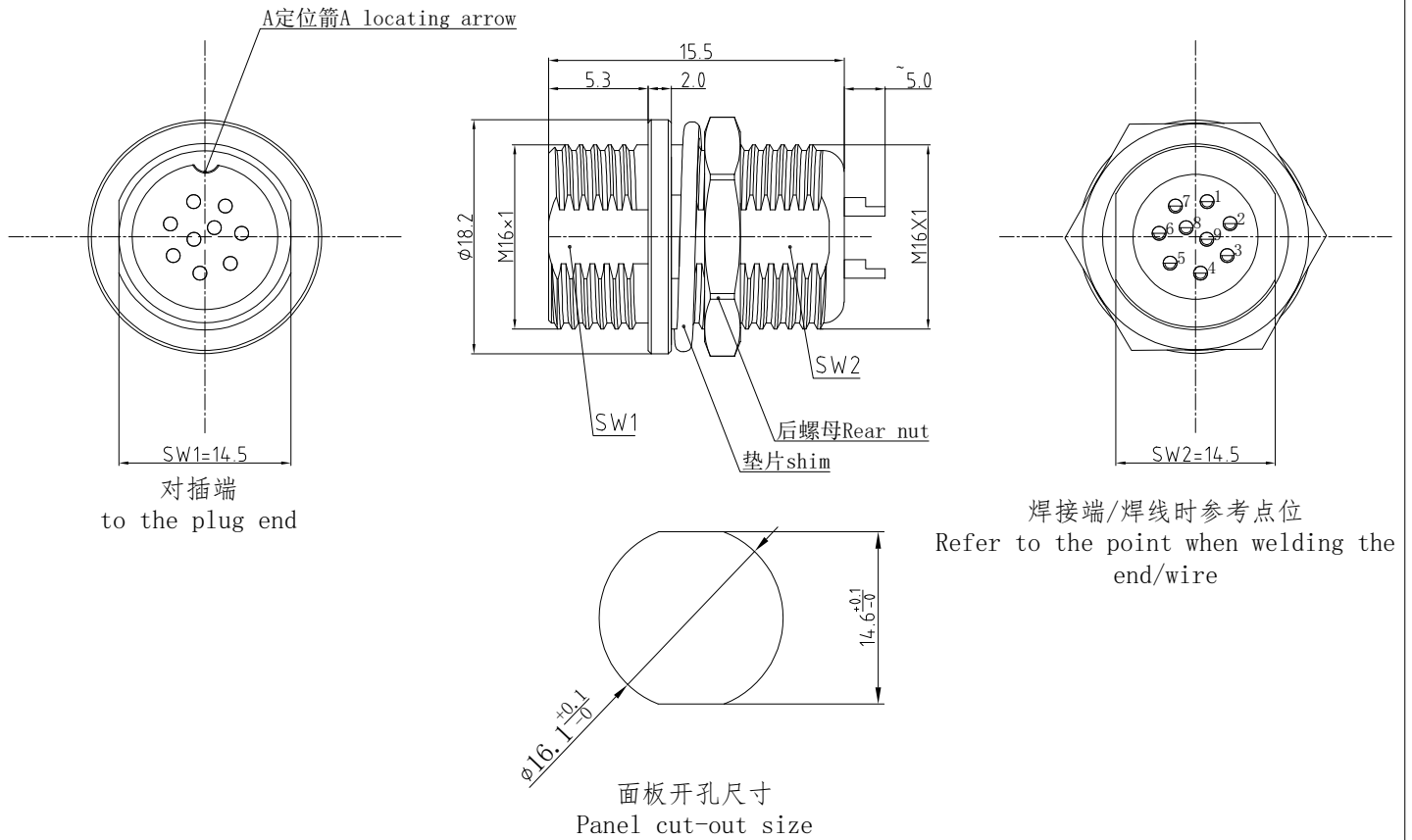


1. 产品尺寸图Product Dimension Drawing



2. 产品电器参数Product electrical parameters

| | |
|---|-----------------|
| 防护等级 (Ingress protection) | IP50 |
| 插拔测试 (Plugging and unplugging test) | <500次 |
| 产品耐温 (The product is temperature resistant) | -20° C / +85° C |
| 盐雾腐蚀 (Salt Spray Corrosion) | >48 hr |
| 额定电流Current rating | 7A |
| 额定电压 (Rated voltage) | 125V |
| 工作电压 (AC.V) | 200 |
| Operating voltage (AC.V) | 200 |
| 耐电压 (AC.V) | 1000 |
| Withstand voltage (AC.V) | 1000 |
| 绝缘阻抗 (mΩ) DC500V | 1000 |
| Insulation Resistance (mΩ)DC500V | 1000 |
| 绝缘电阻 (mΩ) DC1A | 3 |
| Insulation Resistance (mΩ)DC1A | 3 |

3. 环境及表面处理产品特性Environmental and surface treatment product characteristics

| | |
|--------------------------|--------------------------------|
| 外壳材料 Housing material | 锌合金镀镍Zinc alloy nickel plating |
| 绝缘体材料 Insulator material | 橡胶黑木Rubber black wood |
| 触体材料 Contact material | 黄铜镀银Brass silver-plated |

1: 连接器组装生产所有公差通常为0.1mm,2: 插座直接拧入螺纹孔中, 螺纹 +0.05mm
1: All tolerances are usually 0.1mm for connector assembly production, 2: The socket is screwed directly into the threaded hole, the thread is +0.05mm

TONGRUIJOIN

东莞市通瑞电子科技有限公司
TongRuiJoin
Dongguan Tongrui Electronic Technology Co., Ltd
www.CLtfr.com

GX12焊接针插座D款
GX12 solder pin socket D model

单芯图纸Single-core drawings

单位unit:mm 修改revise:A0

视图view:

型号Model
AD. GZ. GX16. 309. NYL