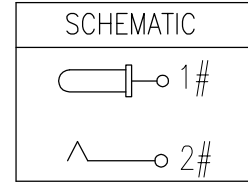
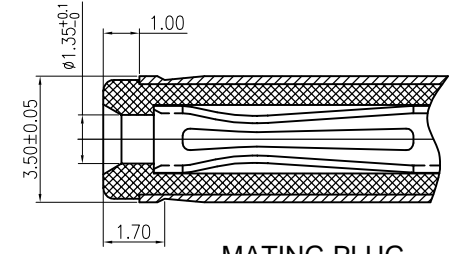
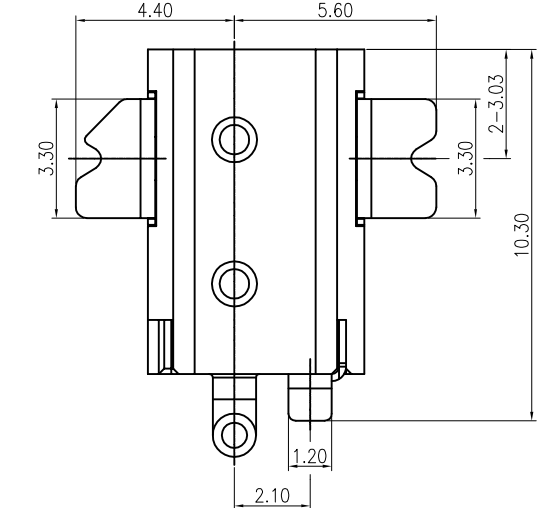
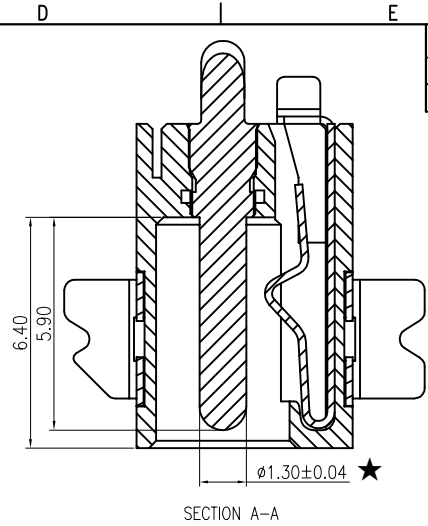
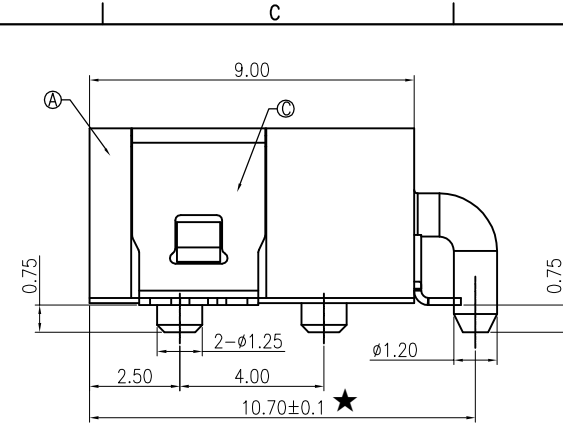
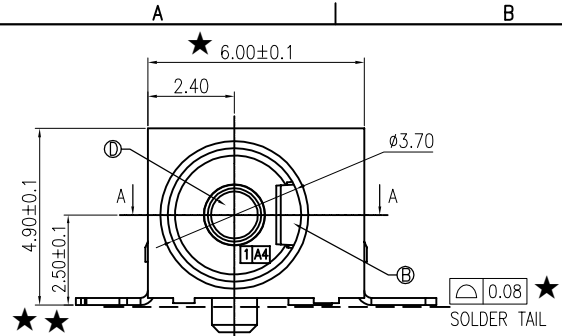
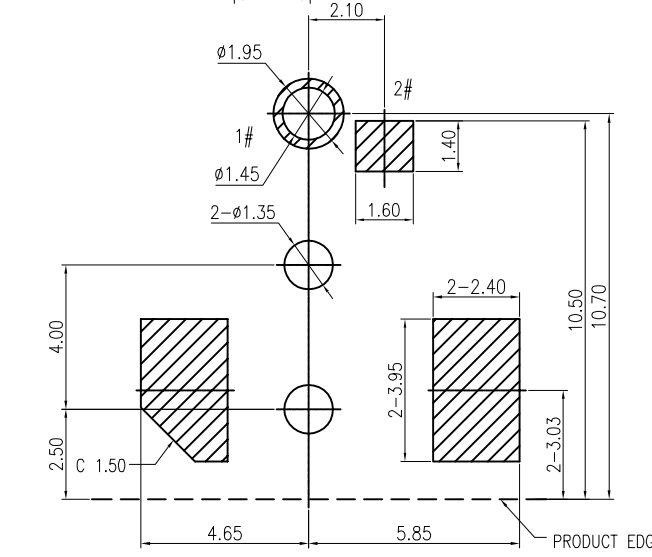


REV	MARK	修改摘要	签名	日期
AO		NEW DWG		2016-03-12

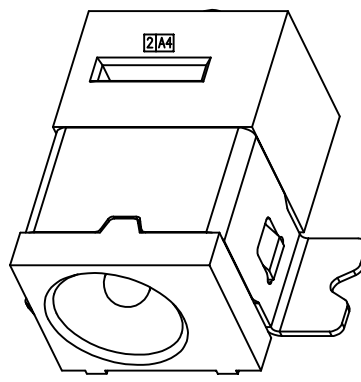


MATING PLUG  
P/N.: DP350135-0120-6H

- SPECIFICATION**
- Rating : DC 20V, 3.5A;
  - Contact resistance: 30mΩ MAX;
  - Insulation resistance: 100MΩ MIN.;
  - Withstand voltage: 500VAC ;
  - Insertion and extraction force: 5-20N
  - life test: 5,000 cycles.
  - Salt spray test : 48H
  - Mark "★" as the key dimension



RECOMMENDED PCB LAYOUT  
TOP VIEW TOLERANCE:±0.05



NO.	DESCRIPTION	QTY	MATERIAL	PLATING
D	PIN	1	HB i59	Au 0.8u"/Ni 40u"
C	CURVE PIECE	1	SUS 304	Ni 40u"
B	SPRING	1	C5191	Sn 80u"/Ni 40u"
A	HOUSING	1	PA46 BLACK 21A4	

**深圳市华德共创科技有限公司**  
Shenzhen Huade co-create Technology Co.,LTD  
电话 : 0755-27112126 传真 : 0755-29940187

-TOLERANCES- UNLESS OTHERWISE SPECIFIED 公差参数表		TITLE: DC Power Jack 35135 大电流5A, 卧 产品名称: 式, 高可靠, 两脚贴板CL=2.5	
X.X ±0.30	X.X* ±3°	APPD: 核准:	PART NO: 产品编号: DC350135-0830-2H
X.XX ±0.20	X.XX* ±2°	CHECK: 校对: 王建业	DATE
X.XXX ±0.10	X.XXX* ±1°	DRAW: 绘图: 黄艳兰	SCALE UNIT CODE NUMBER