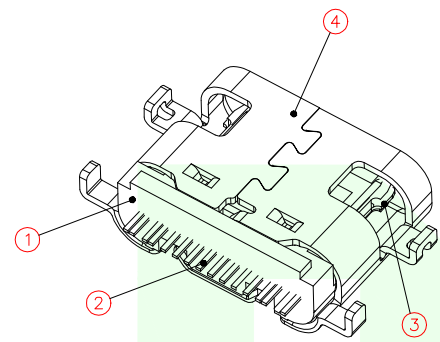
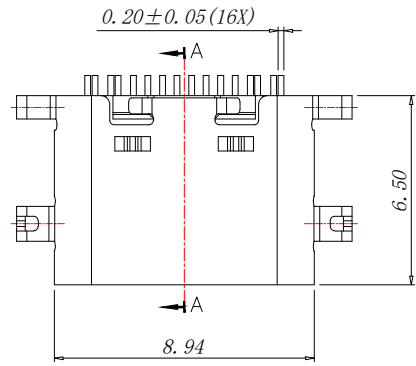


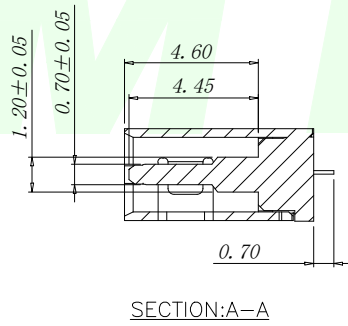
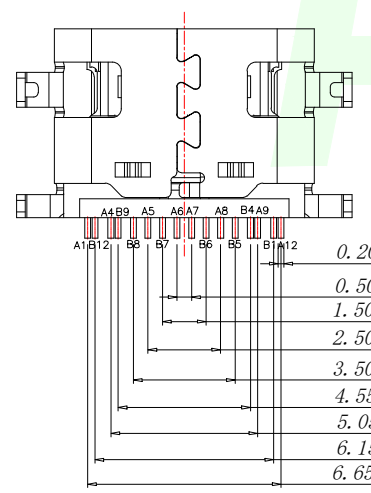
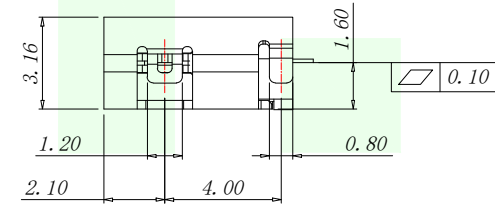
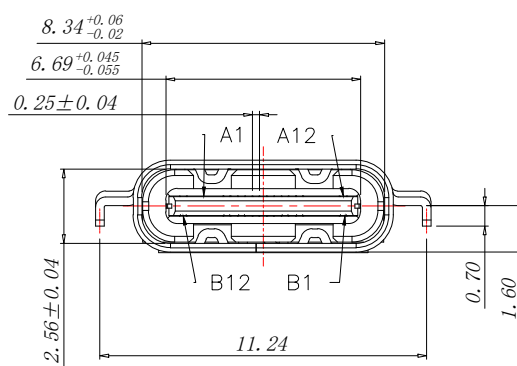
RoHS


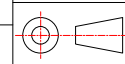
VER	MARK	PR. BY	DESCRIPTION	DATE



NOTE:

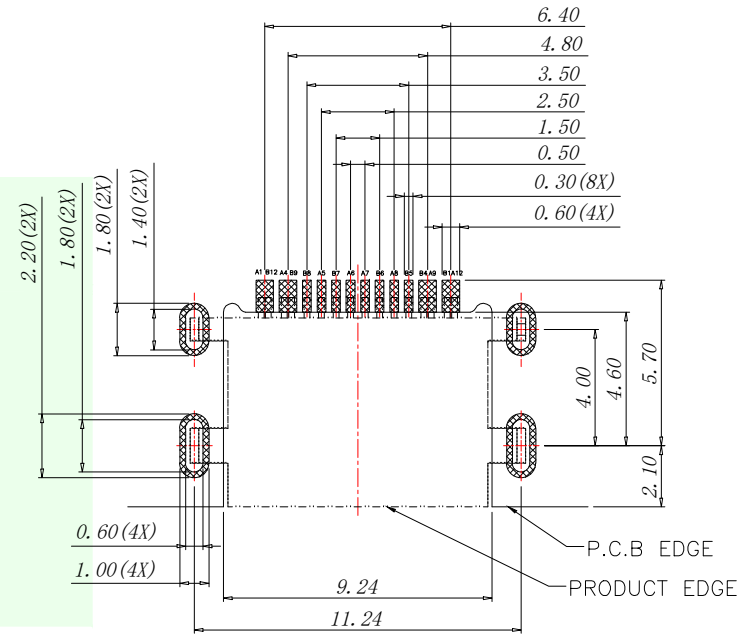
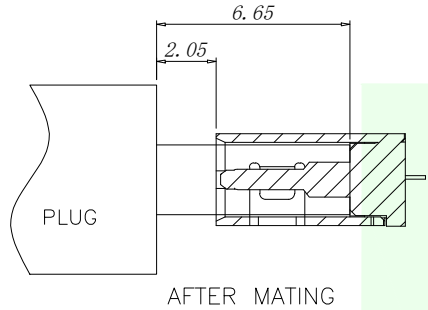
- MATERIAL SPECIFICATION:
 - HOUSING: HIGH TEMPERATURE RESISTANT PLASTIC, UL94 V-0.
 - TERMINAL: COPPER ALLOY (C1814)
 - MID PLATE: STAINLESS STEEL (SUS301)
 - FRONT SHELL: STAINLESS STEEL (SUS304)
- PLATING SPECIFICATION:
 - TERMINAL:
 - Ni 50u" MIN. UNDER PLATED OVER ALL.
 - Au PLATED ON THE FUNCTIONAL AREA OF CONTACT. (GOLD PLATING THICKNESS FOLLOW THE P/N)
 - PLATING SPECIFICATIONS OF THE SOLDER AREA FOLLOW THE P/N
 - FRONT SHELL:
 - Ni 30u" MIN. UNDER PLATED OVER ALL.
 - MID PLATE:
 - CLEAR ONLY
- MECHANICAL PERFORMANCE,
 - INSERTION FORCE: 0.5~2.0kgf.
 - REMOVAL FORCE: 0.8kgf~2.0kgf.
 - DURABILITY: 10000 CYCLES.
- ELECTRICAL PERFORMANCE,
 - VOLTAGE RATING: 5 V DC/AC (RMS. max)
 - CURRENT RATING: 5 AMPS. FOR TOTAL VBUS/GND PINS;
 - 1.25AMPS FOR CC PIN, 0.25 AMPS. FOR ALL OTHER CONTACT.
 - LLCR:
 - VBUS & GND PINS AND OTHER PINS: 40mΩ/PIN MAX.
 - SHIELD: 50mΩ/MAX.
 - LLCR MAX. CHANGE OF ALL PINS: 10mΩ.
 - INSULATION RESISTANCE: 100MΩ MIN
 - DIELECTRIC WITHSTAND VOLTAGE, AC 100V FOR 1 MINUTE.
- ENVIRONMENTAL PERFORMANCE:
 - OPERATING TEMPERATURE: -25°C~+85°C.
- IR REFLOW:
 - THE PEAK TEMPERATURE ON THE BOARD SHALL BE MAINTAINED FOR 10 SECONDS AT 260°C.



GENERAL TOLERANCES UNLESS SPECIFIED		 深圳市华明通电子有限公司 Shenzhen Huamingtong Electronics Co., Ltd			
X.X ±0.30	X.° ±10°	PART NO.	TITLE:		
.XX ±0.20	X.X° ±8°	TYPE-C60230-511-SC16	USB CF 16PIN (L=6.5) MID MOUNT 1.6MM		
.XXX ±0.10	X.XX° ±5°	DESIGN: James	CUSTOMER	SIZE	UNITS
MANUFACTURE DWG		CHED: Talen		A4	MM
		APPD: Sophia		SCALE	SHEET
				N:A	1/3

RoHs

VER	MARK	PR. BY	DESCRIPTON	DATE



USB TYPE-C PIN ASSIGNMENTS

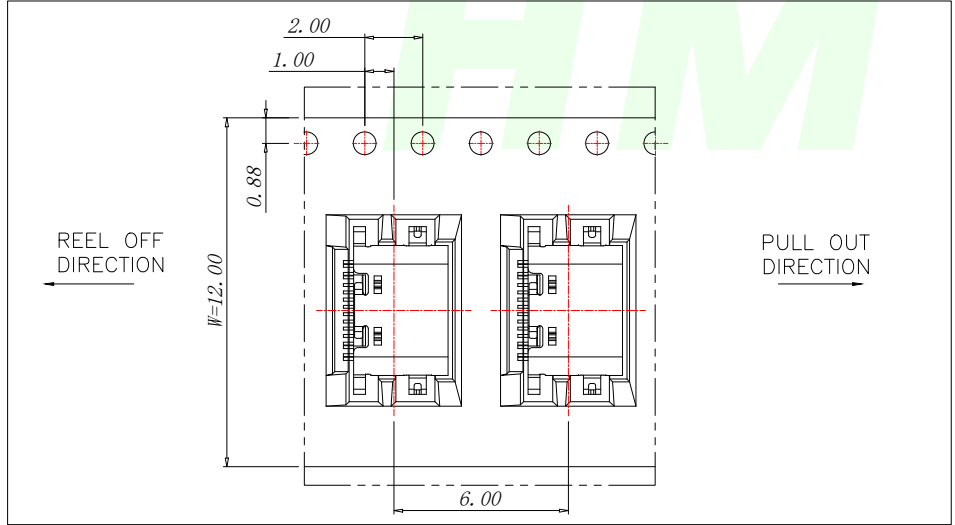
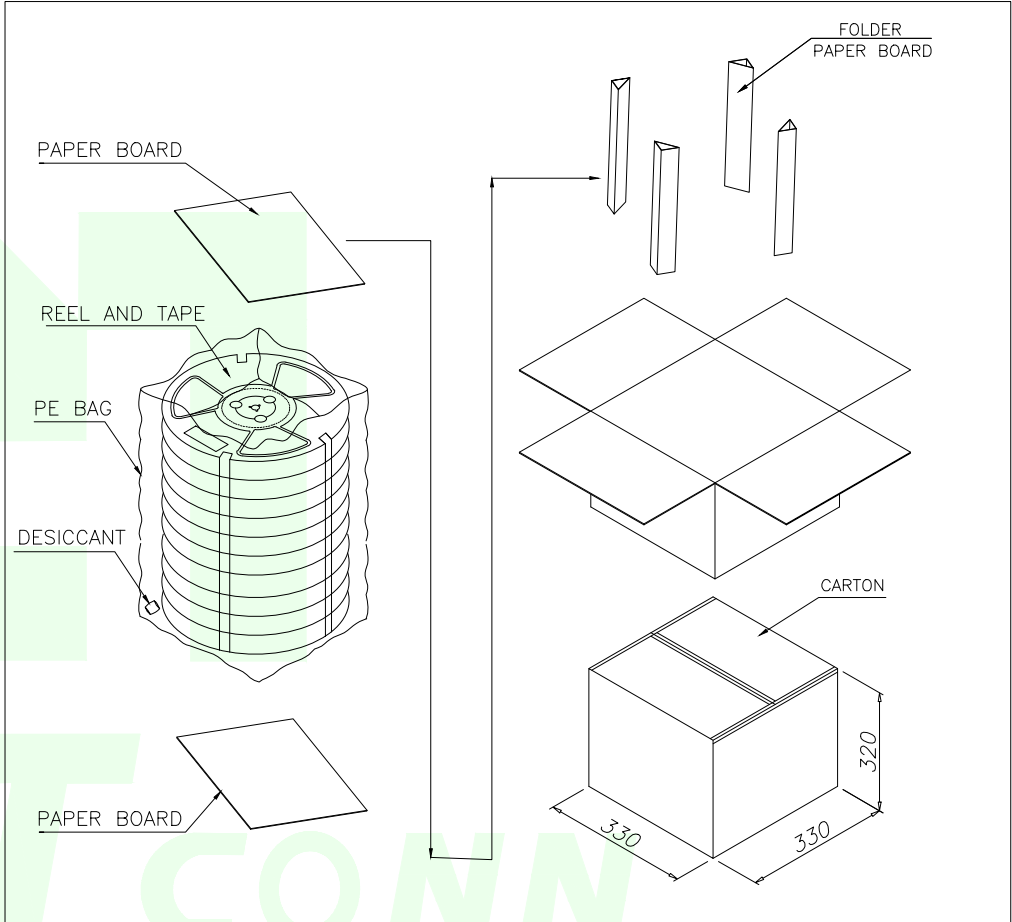
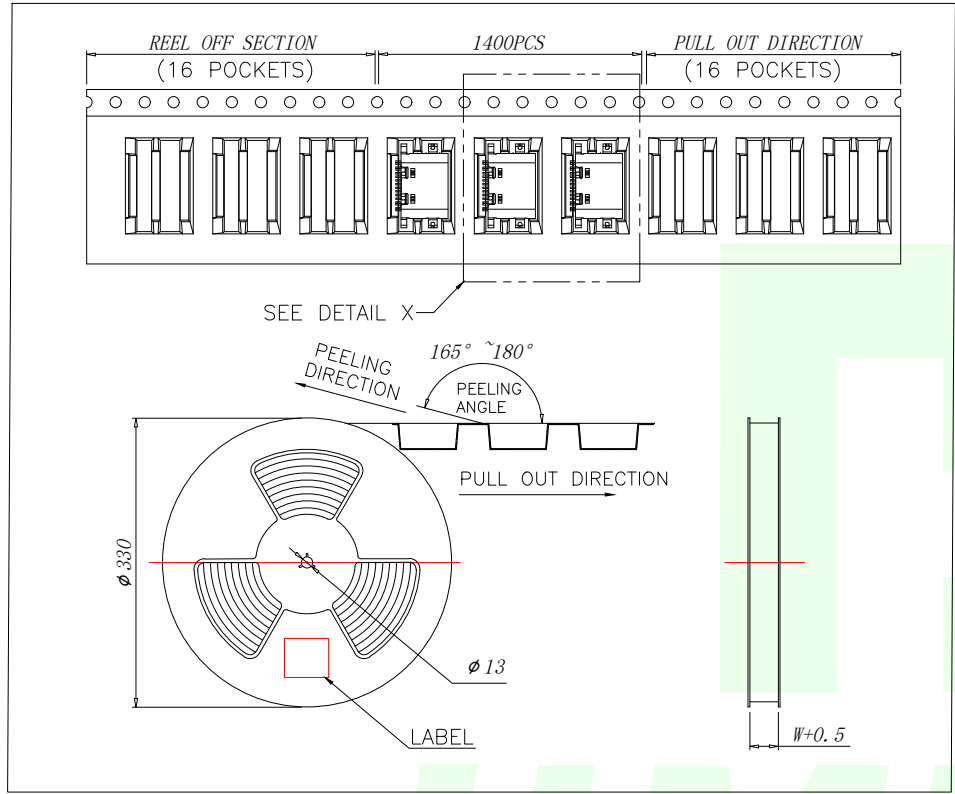
PIN NUMBER	SIGNAL NAME	PIN NUMBER	SIGNAL NAME
A1	GND	B12	GND
A4	VBUS	B9	VBUS
A5	CC1	B8	SBU2
A6	Dp1	B7	Dn2
A7	Dn1	B6	Dp2
A8	SBU1	B5	CC2
A9	VBUS	B4	VBUS
A12	GND	B1	GND

RECOMMENDED PCB LAYOUT(TOP VIEW)
THICKNESS 0.80MM;DEFAULT TOLERANCE:±0.05


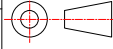
GENERAL TOLERANCES UNLESS SPECIFIED		 深圳市华明通电子有限公司 Shenzhen Huamingtong Electronics Co., Ltd			
X.X ±0.30	X.° ±10°	PART NO.	TITLE:		
.XX ±0.20	X.X° ±8°	TYPE-C60230-511-SC16	USB CF 16PIN (L=6.5) MID MOUNT 1.6MM		
.XXX ±0.10	X.XX° ±5°	DESIGN: James	CUSTOMER	SIZE	UNITS
MANUFACTURE DWG		CHED: Talen		A4	MM
		APPD: Sophia		SCALE	SHEET
				N:A	2/3

RoHS

VER	MARK	PR. BY	DESCRIPTION	DATE



	REEL	CARTON
CONNECTOR (PCS)	1400	14000

GENERAL TOLERANCES UNLESS SPECIFIED		 深圳市华明通电子有限公司 Shenzhen Huamingtong Electronics Co., Ltd			
X.X ±0.30	X.° ±10°	PART NO.	TITLE:		
.XX ±0.20	X.X° ±8°	TYPE-C60230-511-SC16	USB CF 16PIN (L=6.5) MID MOUNT 1.6MM		
.XXX ±0.10	X.XX° ±5°	DESIGN: James	CUSTOMER	SIZE	UNITS
MANUFACTURE DWG		CHED: Talen		A4	MM
		APPD: Sophia		SCALE	SHEET
				N:A	3/3