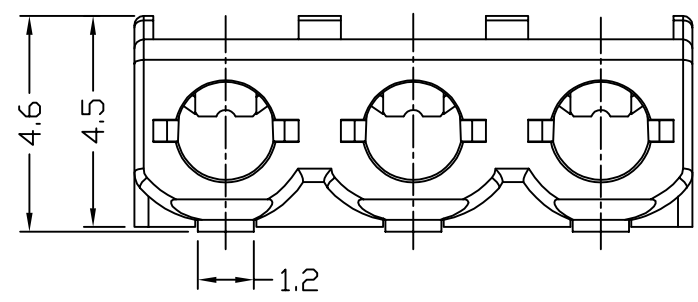
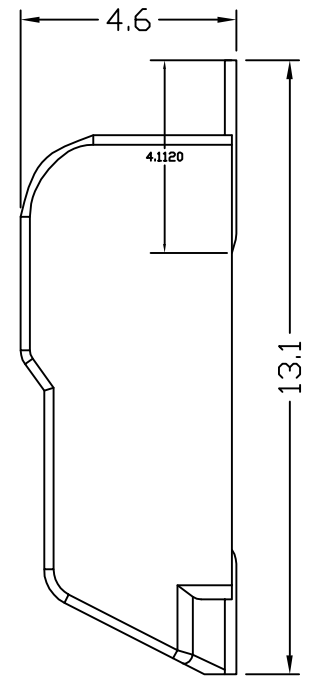
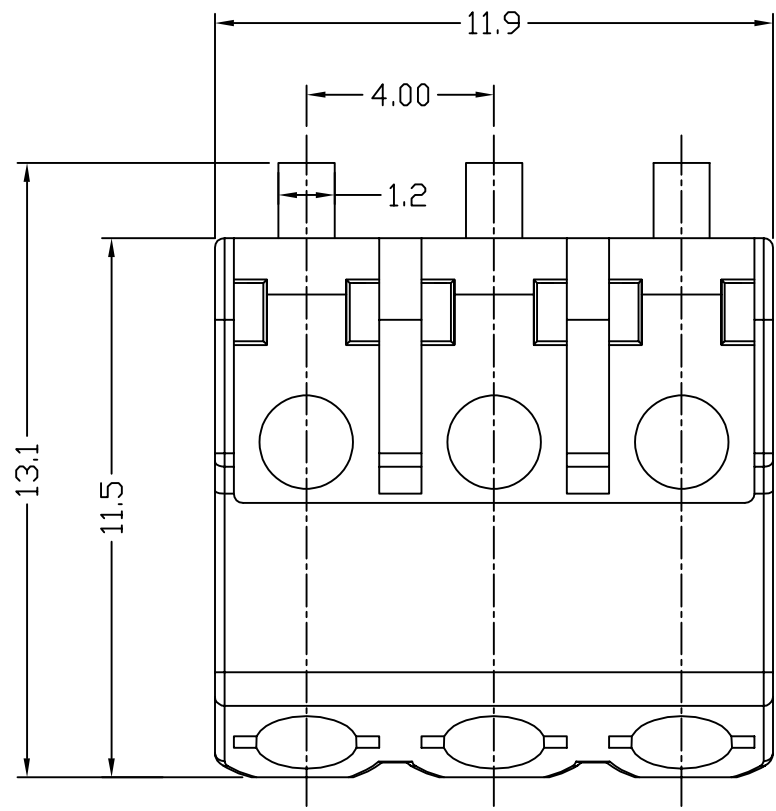
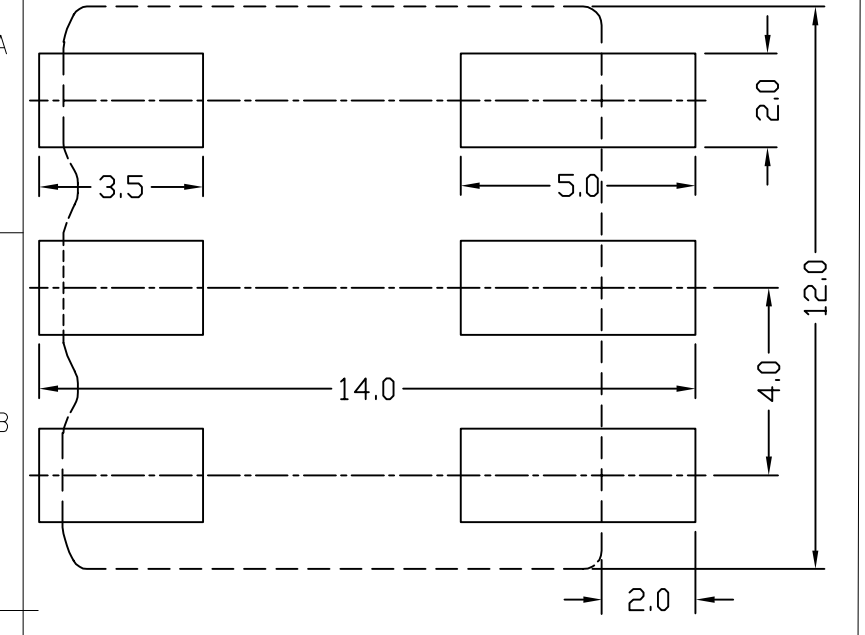


未注公差/General tolerances(mm)													
0	>3	>6	>10	>18	>30	>50	>80	>120	>180	>250	>315	>400	>500
~3	~6	~10	~18	~30	~50	~80	~120	~180	~250	~315	~400	~500	~500
±0.12	±0.18	±0.22	±0.26	±0.31	±0.37	±0.57	±0.80	±0.93	±1.05	±1.15	±1.60	±2.20	±2.50

0.1/10
H2

REV	ECN	DESCRIPTION	DRFT	DATE



UL 标准/UL Standard:	B	C	D
额定电压/电流/Rated Voltage(V)/Current(A)	300/9	/	/
IEC 标准/IEC Standard:			
过压类别/Overvoltage Category/污染等级/Pollution Degree	III/3	III/2	II/2
绝缘电阻/(MΩ)/DC(V)	500/500	/	/
额定脉冲电压(KV)/Rate Impulse Voltage(KV)	2	/	/
螺丝扭矩/Torque Tightening(N·m/Lb.in)	/	/	/
线径范围(硬线和软线)/Wire Range(rigid and flexible)(mm ² /AWG)	24~18		
间距/Pitch(mm)/线数范围/Poles	4.0/N=01~03P		
剥线长度/Stripping length(mm)	/		
使用温度范围/Operating temperature(°C)	-40~+105		
符合RoHS环保要求/Conform to RoHS	Yes		

DB2062B — 4.0 — XXP — C
 (Series No.) (Pitch) (Poles)
 (Color):GN:(Green), BK:(Black), BU:(Blue), RD:(Red), GY:(Gray)
 OG:(Orange), WT:(White), YL:(Yellow), CR:(Clear)

Button	PA66	UL94V-0
Spring	Stainless steel	SUS301
Conductor	Copper alloy	Sn Plated
Insulator	PA66	UL94V-0
NAME OF PART	MATERIAL	NOTES

MAT NO.:	/	DORABO 宁波地博电气有限公司 NINGBO DORABO ELECTRICAL CO., LTD
STATUS:	/	
APPD: MARK	2024.06.20	NAME: DB2062B-4.0-3P-C
CHKD: MARK	2024.06.20	
DRFT: MARK	2024.06.20	DRAWING NO.: XX
SIZE: A4	mm (inch)	TYPE: CUSTOMER_DRAWING
		SCALE: 1:1
		REV: MO
		SHEET: 1/1