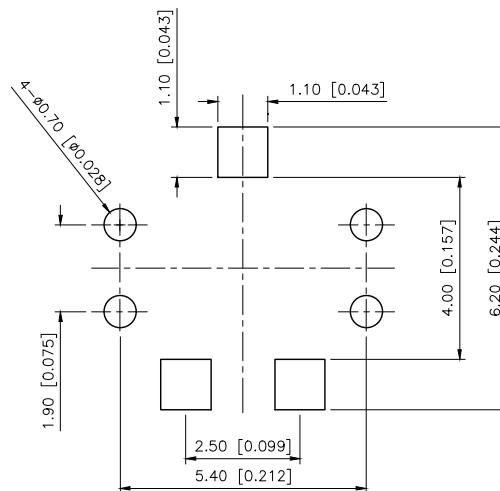
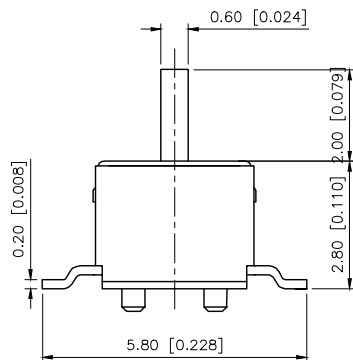
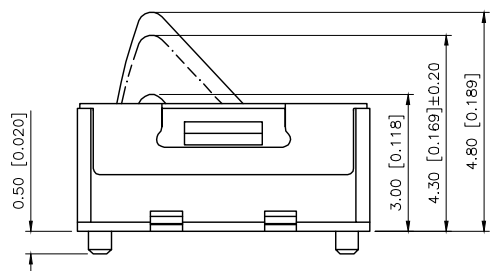
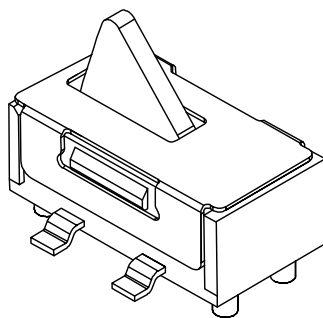
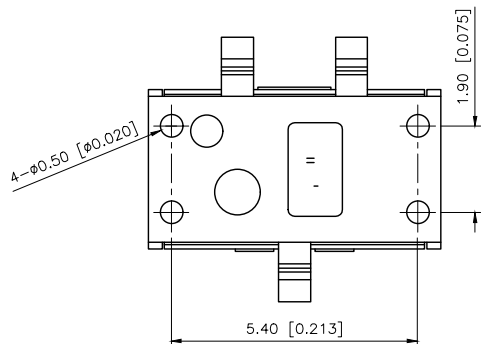
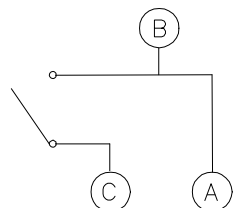
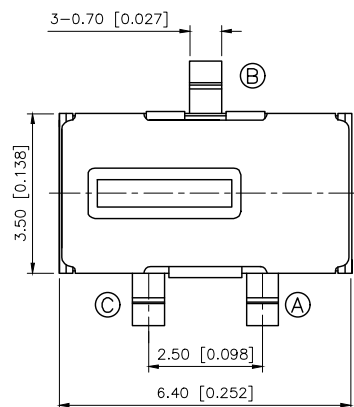
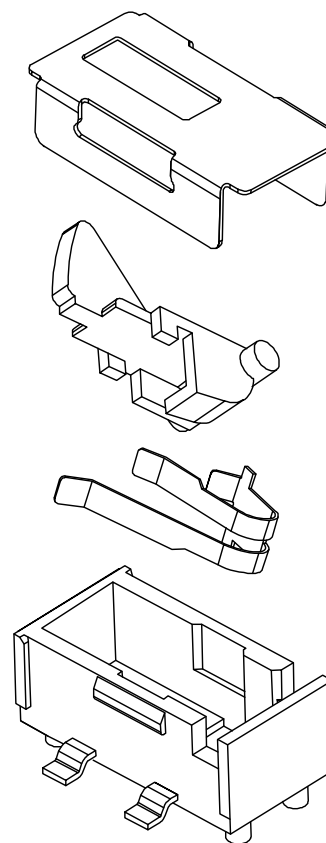


REVISIONS					
REV.	ECN NO.	LOCATION	DESCRIPTION	DATE	DESIGN
A0	N/A		INITIAL RELEASE	/	/
A1	ECN-P-2025120305			2025.12.03	



PCB LAYOUT



SCHEMATIC

- Specifications( )
- 1.Voltage rating( ):DC 5V
  - 2.Current rating( ):0.1~5mA AC/DC
  - 3.Withstanding voltage( ): 100V AC/minute
  - 4.Insulation resistance( ): 100MΩ Min
  - 5.Contact resistance( ):≤100mΩ Max
  - 6.Mating cycles 50000 cycles Min
  - 7.Applied Force ≤0.3N(31gf)
  - 8.Temperature range( ):-10 ~+60

NO	PAPT NAMF	MATERIAL	PLATING
5	Cover	SUS	
4	Push Rod	PA	
3	Terminal	Phosphor Bronze	Ag
2	Base	PA	
1	Contact Spring	Brass	Ag

AuGLAR	±5°
X.	±0.40
X.x	±0.30
X.xx	±0.20
X.xxx	±0.15
UNSPECIFIED TOLERAUCES	



DESIGN	VIEW:	MODEL TYPE: DETECT SWITCH
CHECKED	UNIT: mm/in	PART NO.: TM-8766
APPROVED	SIZE: A4	DWG NO.: