



UMW PCA9535/539/555

16-bit I²C-bus I/O Expander with Interrupt Output

1. Description

The UMW PCA9535 family provides general purpose parallel input and output (GPIO) expansion. Port data is transmitted through the standard I2C protocol, which can support up to 1MHz communication rate (and up to 2MHz when high-speed mode is enabled). The UMW PCA9535 family features a 16-bit totem-pole I/O ports (P07-P00, P17-P10), which can directly drive LEDs. Each bit of a GPIO port can be individually configured as an input or output. At power on, the I/Os are configured as inputs.

3. Applications

- Servers
- Routers
- Communication Cabinet

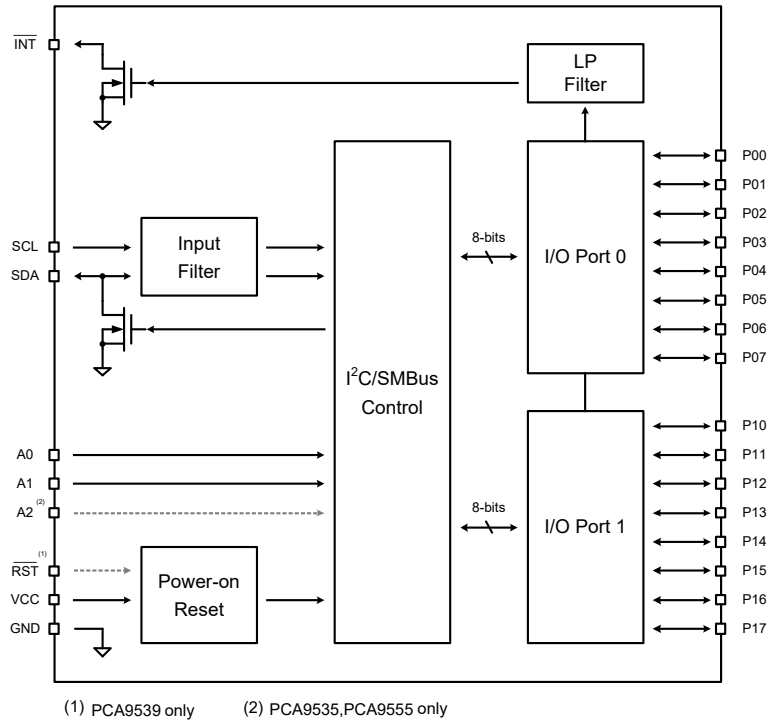
2. Features

- Alternative to UMW PCA9535/9539/9555
- Supply Range: 2.3V~5.5V
- Temperature Range: -40°C ~ +85°C
- Standby Current: 0.5μA
- High-Current Drive Capability
- Open-Drain Active-Low Interrupt Output

- Industrial Automation
- Products with GPIO-Limited Processors

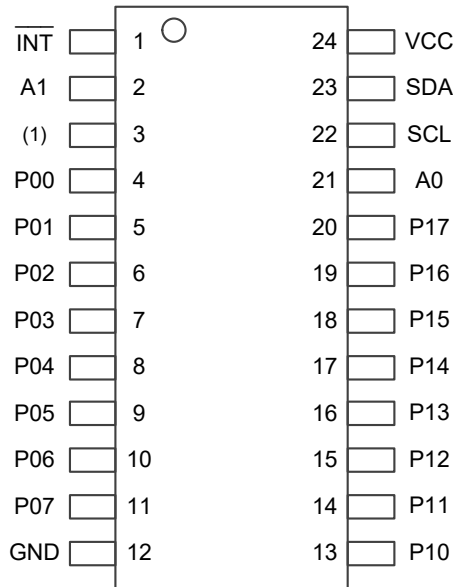


4. Block Diagram

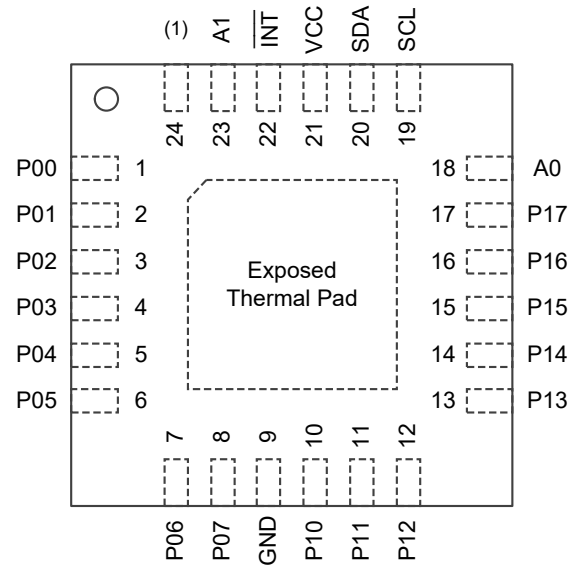




5.Pinning Information



TSSOP-24



VQFN-24-EP(4x4)

(1) $\overline{\text{RST}}$ in PCA9539 . A2 in PCA9535 and PCA9555

PIN			Description
Name	TSSOP	WQFN	
A0	21	18	Address input 0. Connect directly to VCC or GND
A1	2	23	Address input 1. Connect directly to VCC or GND
A2	3	24	Address input 2. Connect directly to VCC or GND
RST			Active-low reset input. Connect to VCC through a pull-up resistor if not used
GND	12	9	Ground.
INT	1	22	Interrupt open-drain output. Connect to VCC through a pull-up resistor
P00~P07	4~11	1~8	P-port I/O. At power on, all I/Os are configured as inputs
P10~P17	13~20	10~17	P-port I/O. At power on, all I/Os are configured as inputs
SCL	22	19	Serial clock bus. Connect to VCC through a pull-up resistor
SDA	23	20	Serial data bus. Connect to VCC through a pull-up resistor
VCC	24	21	Supply voltage



6. Absolute Maximum Ratings

Over operating free-air temperature range (unless otherwise noted)

Parameter	Min	Max	Units
Input Voltage	-0.5	6	V
Storage Temperature	-65	150	°C
Input-output Clamp Current		±20	mA
Continuous Output Current		±50	mA
Continuous Current through GND		-250	mA
Continuous Current through VCC		160	mA

Stresses beyond those listed under Absolute Maximum Ratings may cause permanent damage to the device.

7. ESD Ratings

Parameter		Value	Units
Electrostatic Discharge	Human Body Mode (HBM), per ANSI/ESDA/JEDEC JS-001	±2000	V
Latch-up	Latch-Up, per JESD 78, Class IA	±200	mA



8. Electrical Characteristics

Over temperature range of -40~+85°C and supply range of 1.6~5.5V, unless otherwise noted. Typical values at +25°C and 3.3V.

Parameter	Symbol	Conditions	Min	Typ ⁽¹⁾	Max	Units
Supply Voltage	V_{CC}		2.3	3.3	5.5	V
Operating Temperature	T_A		-40		85	°C
Quiescent Current	I_{CC}			0.5	5	μA
P-port High-level Output Voltage	V_{OH}	$I_{OH}=-8mA, V_{CC}=3V$		2.6		V
		$I_{OH}=-8mA, V_{CC}=4.75V$		4.2		V
		$I_{OH}=-10mA, V_{CC}=3V$		2.7		V
		$I_{OH}=-10mA, V_{CC}=4.75V$		4.2		V
P-port Low-Level Output Current	I_{OL}	$V_{OL}=0.5V, V_{CC}=1.6V\sim 5.5V$	8			mA
		$V_{OL}=0.7V, V_{CC}=1.6V\sim 5.5V$	10			mA
		$V_{OL}=0.4V, V_{CC}=1.6V\sim 5.5V$	3			mA
		$V_{OL}=0.4V, V_{CC}=1.6V\sim 5.5V$	3			mA
INT Low-level output Current		$V_{OL}=0.4V, V_{CC}=1.6V\sim 5.5V$	3			mA
Input Current	I_I	$V_I=V_{CC}$ or GND			±1	μA
Input SCL; input/output SDA						
LOW-level input voltage	V_{IL}		-0.5		+0.3V _{DD}	V
HIGH-level input voltage	V_{IH}		0.7V _{DD}		5.5	V
LOW-level output current	I_{OL}	$V_{OL}=0.4V$	3			mA
I/Os						
LOW-level input voltage	V_{IL}		-0.5		+0.3V _{DD}	V
HIGH-level input voltage	V_{IH}		0.7V _{DD}		5.5	V
Select inputs A0, A1, A2						
LOW-level input voltage	V_{IL}		-0.5		+0.3V _{DD}	V
HIGH-level input voltage	V_{IH}		0.7V _{DD}		5.5	V



9. Detailed Description

Port Structure

A simplified circuit diagram of P-port I/Os is shown in Figure 1.

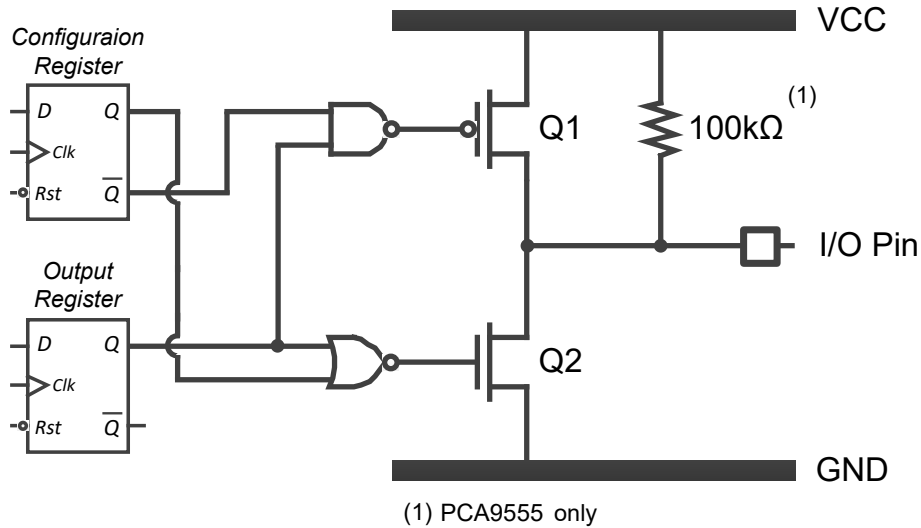


Figure 1. Simplified Circuit Diagram of P-port I/Os

When an I/O is configured as an input, FETs Q1 and Q2 are off, which create a high-impedance input. The input voltage may be raised above V_{CC} to a maximum of 5.5V.

When an I/O is configured as an output, Q1 or Q2 is enabled, depending on the state of the Output Port register. In this case, there are low-impedance paths between the I/O pin and either V_{CC} or GND. The external voltage applied to this I/O pin must not exceed the recommended levels for proper operation.



Register Map

The PCA95xx register file consists of two sets of symmetric registers that control ports 0 and 1, respectively, in bytes. Each set comprises four 8-bit registers where each bit corresponds to a specific I/O pin; for instance, bit 0 at port 0 corresponds to P00 and so forth. Table 1 lists the pointer address of the register map.

Table 1. Pointer Address and Register Map

Pointer	Register Name	Attribution	Default Value
0x00	Input Port 0	R only	0xFF
0x01	Input Port 1	R only	0xFF
0x02	Output Port 0	R/W	0xFF
0x03	Output Port 1	R/W	0xFF
0x04	Polarity Inversion Port 0	R/W	0x00
0x05	Polarity Inversion Port 1	R/W	0x00
0x06	Configuration Port 0	R/W	0xFF
0x07	Configuration Port 1	R/W	0xFF

The Input Port X registers reflect the incoming logic levels of the pins, regardless of whether the pin is defined as an input or an output by the Configuration Port X register. It only acts on read operation. Writes to these registers have no effect. The power-on default value of this register is all 1.

The Output Port X registers reflect the outgoing logic levels of the pins defined as outputs by the Configuration Port X register. Bit values in this register have no effect on pins defined as inputs. In turn, reads from this register reflect the value that is in the flip-flop controlling the output selection, not the actual pin value.

The Polarity Inversion Port X registers allow the user to invert the polarity of the Input Port X register data. If a bit in this register is set to 1, the Input Port X register data polarity is inverted. If a bit in this register is cleared to 0, the Input Port X register data polarity is retained.

The Configuration Port X registers configure the directions of the I/O pins. If a bit in this register is set to 1, the corresponding port pin is enabled as an input with a high-impedance output driver. If a bit in this register is cleared to 0, the corresponding port pin is enabled as an output.



10. Serial Interface

Bus Overview

I2C/SMBus is a two-wire serial communication interface supporting multi-master and multi-slave. The device that initiates the communication is called the master, and the device controlled by the master is called the slave. The master is responsible for generating the serial clock (SCL) and controlling the bus access.

Data transfer is sent over eight clock pulses followed by an acknowledge bit. During data transfer, SDA must remain stable when SCL is high because any change in SDA while SCL is high is interpreted as a START or STOP conditions. Parameters for Figure 2 are defined in Table 2.

Table 2. Timing Diagram Requirements

Symbol	Parameter	Fast Mode		High-speed Mode		Unit
		Min	Max	Min	Max	
f _{SCL}	SCL operating frequency	1	400	1	2000	us
t _{SU:STA}	Repeated START condition setup time	0.6	-	0.26	-	us
t _{HD:STA}	Repeated START condition hold time	0.6	-	0.26	-	us
t _{SU:STO}	STOP condition setup time	0.6	-	0.26	-	us
t _{BUF}	Bus free time between STOP and START	1.3	-	0.5	-	us
t _{SU:DAT}	Data setup time	0.1	-	0.05	-	us
t _{HD:DAT}	Data hold time	0	-	0	-	us
t _{HIG}	SCL clock high period	0.6	-	0.26	-	us
t _{Low}	SCL clock low period	1.3	-	0.5	-	us
t _R	Clock and data rise time	-	300	-	120	ns
t _F	Clock and data fall time	-	300	-	120	ns

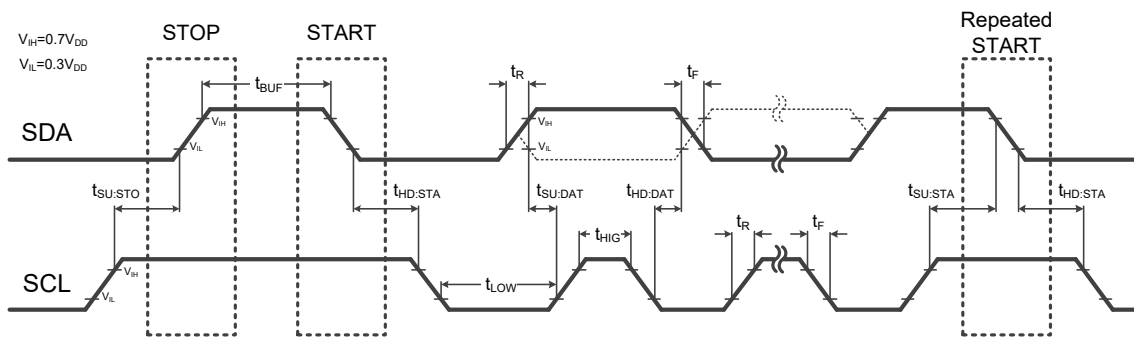


Figure 2. Two-Wire Timing Diagram



Serial Bus Address

The PCA9535 and PCA9555 feature three address pins that allow up to eight devices to be addressed on a single bus. The PCA9539 features two address pins that allow up to four devices to be addressed on a single bus. Table 2 describes the pin logic levels and the corresponding address values. It is crucial for the logic level of the address pin to remain consistent throughout communication in order to avoid potential failures. The address pin must be connected either to VCC or GND and should not be left in a suspended state.

The slave address byte consists of seven address bits, and a direction bit indicating the intent of executing either a read or write operation. All data bytes are transmitted MSB first.

Table 3. Address Pin Connection and Slave Address

Device Name	A2	A1	A0	Device Two-wire Address
PCA9535 PCA9555	GND	GND	GND	0x40 (write),0x41(read)
	GND	GND	VCC	0x42 (write),0x43 (read)
	GND	VCC	GND	0x44 (write),0x45 (read)
	GND	VCC	VCC	0x46 (write), 0x47 (read)
	VCC	GND	GND	0x48 (write), 0x49 (read)
	VCC	GND	VCC	0x4A (write), 0x4B(read)
	VCC	VCC	GND	0x4C (write), 0x4D (read)
	VCC	VCC	VCC	0x4E (write), 0x4F(read)
PCA9539	-	GND	GND	0xE8 (write), 0xE9 (read)
	-	GND	VCC	0xEA (write), 0xEB (read)
	-	VCC	GND	0xEC (write), 0xED (read)
	-	VCC	VCC	0xEE (write), 0xEF(read)



Writing and Reading Operation

If the R/W bit is 0b, the first byte sent by the host after the slave address byte is recognized as a pointer. The PCA9535 family uses the pointer to specify the target register of the current read or write operation. The data byte follows the pointer byte and represents the data to be written to the specified register. The specific bus timing is shown in Figure 3 and consists of start condition, address byte, pointer byte, data byte and stop condition. The PCA9535 family pulls down the SDA bus at the ninth clock pulse to indicate that the byte has been received and is ready to receive a new byte.

The PCA9535 family features a pointer automatic shift function. After each register access is completed, the pointer points to the other register of the same type. For example, after the current byte is written to the Output Port 0 register, the next byte is written to the Output Port 1 register, the next byte is written back to the Output Port 0 register, and so on. The specific bus timing is shown in Figure 4.

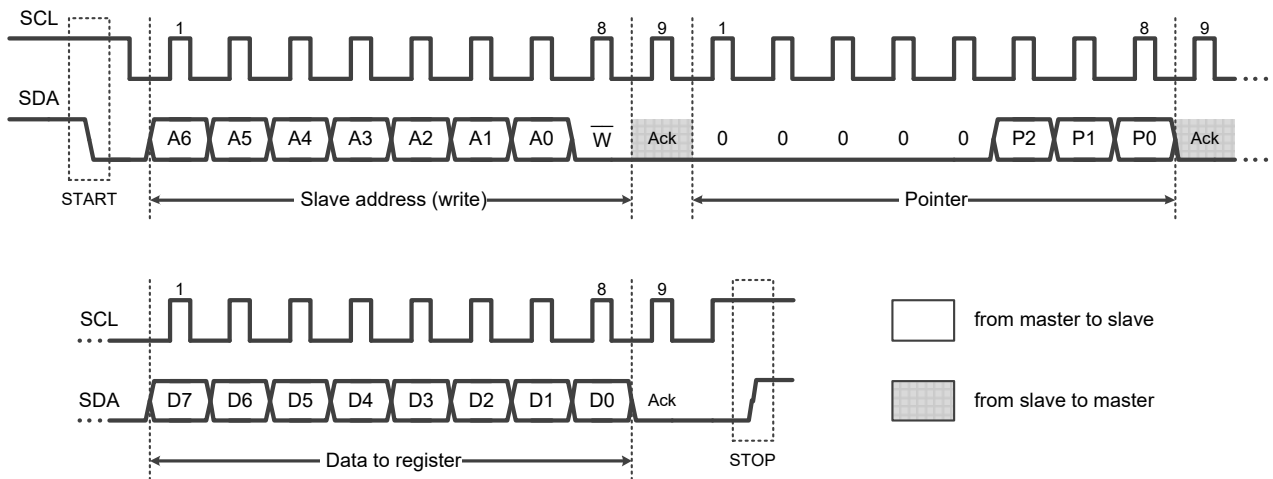


Figure 3. Two-Wire Timing Diagram for Write One Byte

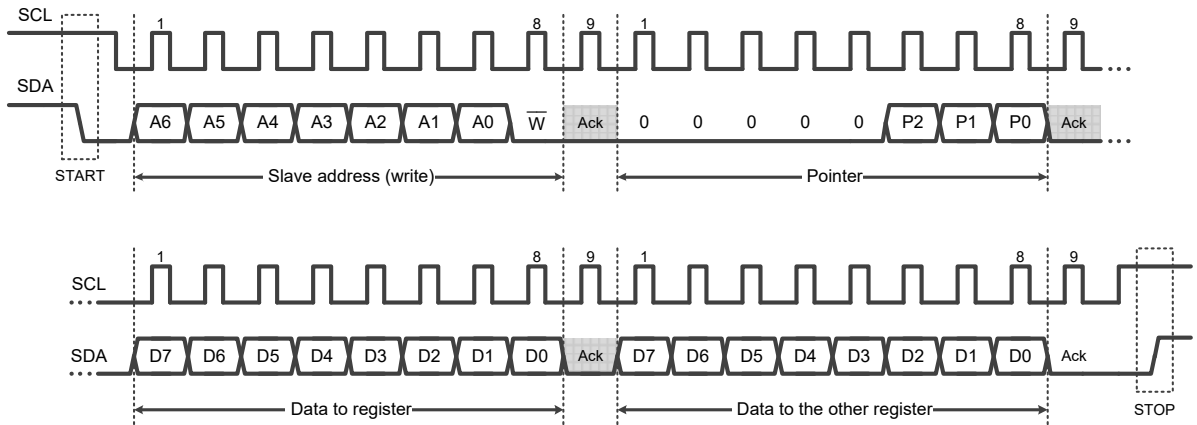


Figure 4. Two-Wire Timing Diagram for Write Two Bytes

If the R/W bit is 1b, then the host can start reading data bytes after the slave address byte. The content of the data is determined by the pointer. Therefore, in the read operation, the host needs to modify the pointer first, and then restart a round of communication to read the target data. The specific bus timing is shown in Figure 5.

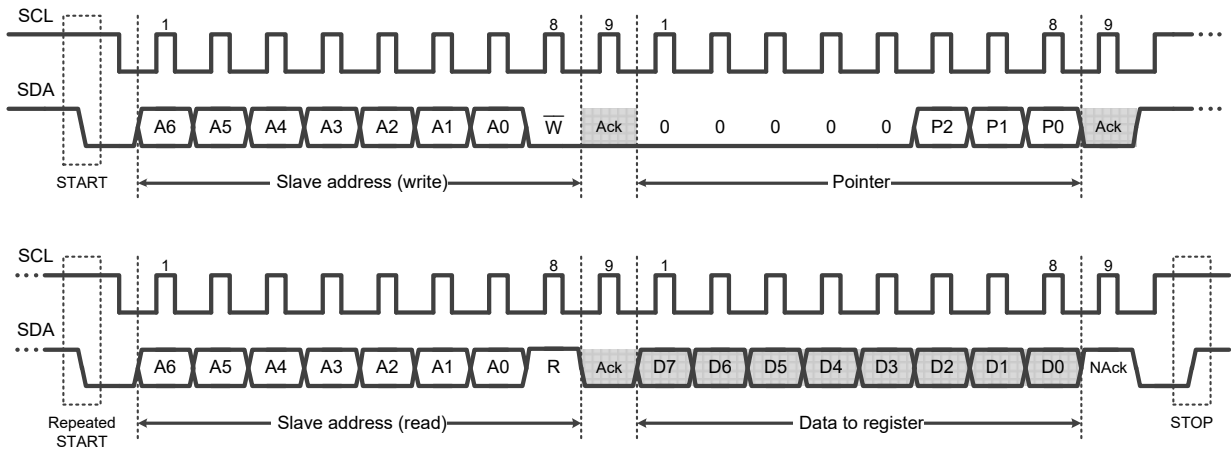


Figure 5. Two-Wire Timing Diagram for Read One Byte



Read operations support multi-byte access. The specific bus timing is shown in Figure 6.

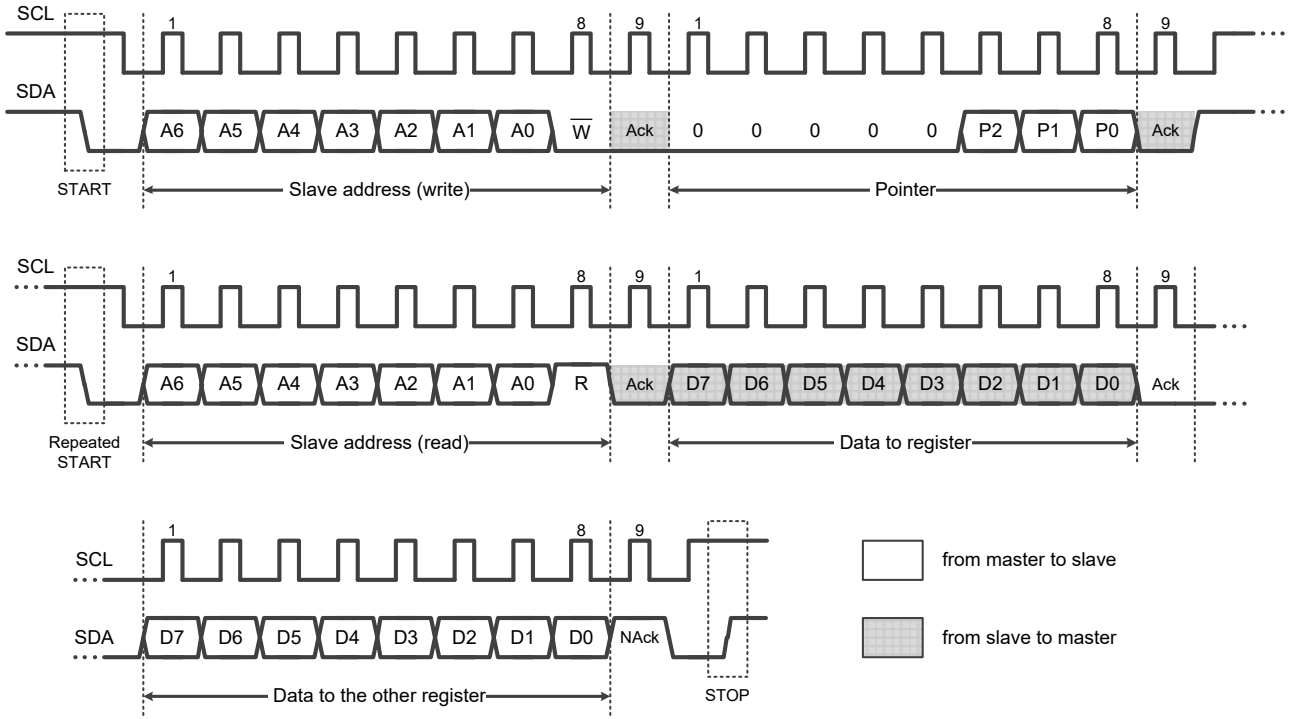


Figure 6. Two-Wire Timing Diagram for Read Two Bytes

Port Control

The PCA9535 family controls the output of an I/O pin assuming that the pin has been configured in output mode. The impact of the Output Port X register on the control of the I/O ports is illustrated in Figure 7. The PCA9535 family flushes the received data to the I/O pins at the rising edge of SCL for each Ack of data bytes

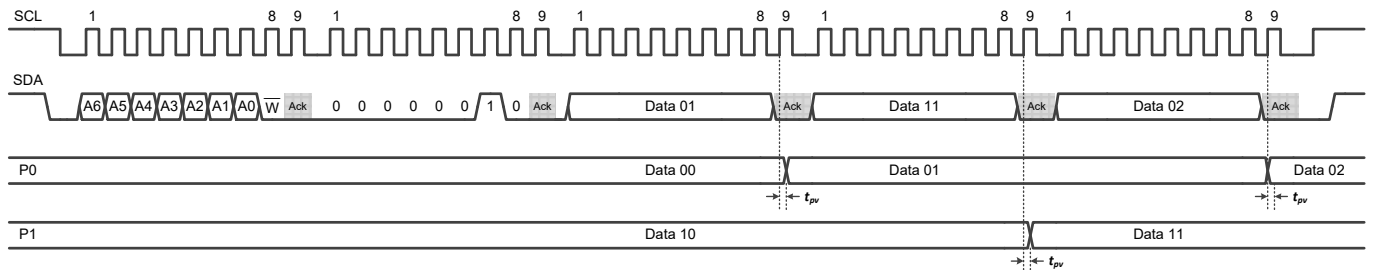


Figure 7. Write to Output Port X Registers



The PCA9535 family is capable of acquiring the logic level of the I/O pin in both input and output configurations. The impact of reading the input register on the interrupt signal can be observed in Figures 8 and 9. During each Ack of data bytes, the PCA9535 family samples the logic level of the I/O pin into the input register at the rising edge of SCL, subsequently clearing the interrupt.

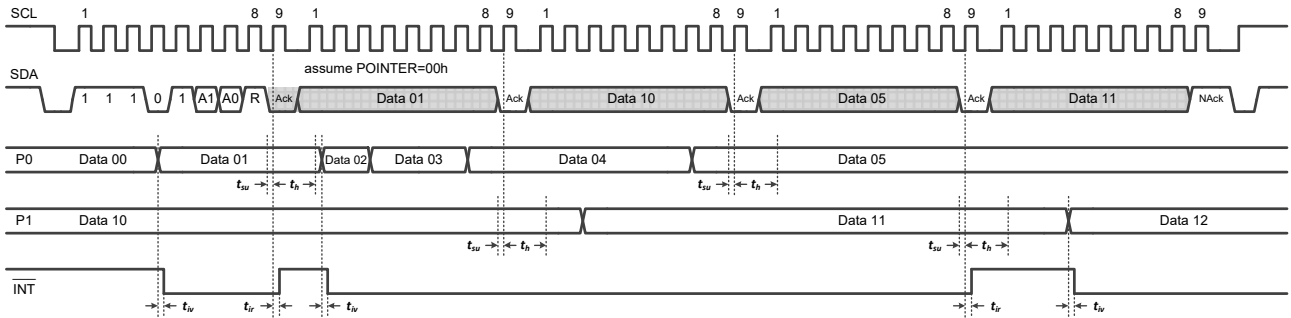


Figure 8. Read Input Port Registers, Scenario 1

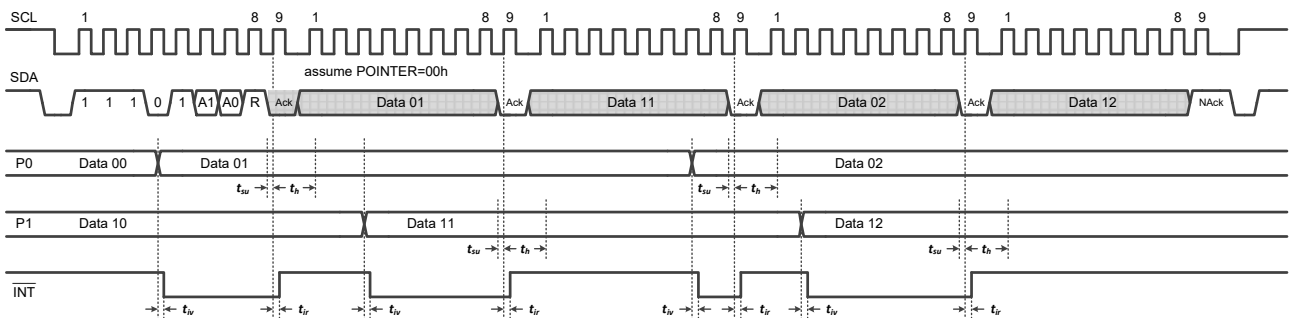


Figure 9. Read Input Port Registers, Scenario 2

Table 4. Switching Characteristics

Symbol	Parameter	From	To	Min	Typ	Max	Unit
t_{pv}	Output Data Valid Time	SCL	GPIO			1	us
t_{su}	Input Data Setup Time	GPIO	SCL		1		us
t_h	Input Data Hold Time	GPIO	SCL		1		us
t_{iv}	Interrupt Valid Time	GPIO	INT			4	us
t_{ir}	Interrupt Reset Delay	SCL	INT			4	us
t_w	Reset Pulse Duration	-	-	10			ns



High-Speed (Hs) Mode

For the I²C bus to operate at frequencies above 1 MHz, the master device must issue an Hs-mode master code (0000 1xxx) as the first byte after a START condition to switch the bus to high-speed operation. The PCA9535 family does not acknowledge this byte, but switches the input filters on the SDA and SCL pins and the output filters on the SDA pin to operate in Hs-mode, thus allowing transfers at up to 2 MHz. After the Hs-mode master code has been issued, the master transmits an I²C slave address to initiate a data-transfer operation. The bus continues to operate in Hs-mode until a STOP condition occurs on the bus. Upon receiving the STOP condition, the PCA9535 family switches the input and output filters back to fast-mode operation.

Interrupt Output

The PCA9535 family features an open-drain output interrupt pin that can be directly connected to the microprocessor's interrupt input. By transmitting an interrupt signal, the chip can actively notify the microprocessor of any changes in logic level on the remote I/O pin.

There are three crucial aspects to consider regarding the establishment and removal of interrupt signals :

- The interrupt signal will only be triggered by a change in the logic level of the I/O pin configured as input.
- The interrupt signal is not latched. If the I/O pin logic level is restored to its previous sampled state, the interrupt signal will be immediately cleared.
- An interrupt signal set that occurs near the Ack bit may be lost.

Reset Input

The has an external reset input pin. By pulling down the RST and maintaining the t_w time, the host can realize the reset operation to the chip. The chip will reset all the communication state machine and internal register file to the power-on default state. If no reset operation is required, the RST pin must be connected to V_{CC} .



Quick Feature Guide

Table 5. Selection Table

Device	Type	I/O	Address	Built-in	Reset Input
PCA9535	Totem-pole	16	0100 xxxb		
PCA9539	Totem-pole	16	1110 1xxb		√
PCA9555	Totem-pole	16	0100 xxxb	√	

High Current-Drive Load Application

The I/O pins of the PCA9535 family are capable of driving with a minimum perfusion current of 10mA. Additionally, it is possible to connect multiple I/O pins together through short-wiring in order to enhance the current-driven capability. As illustrated in Figure 10, individual current limiting resistors are necessary for each I/O pin and proper synchronization of switches is required to prevent any potential damage to the chip.

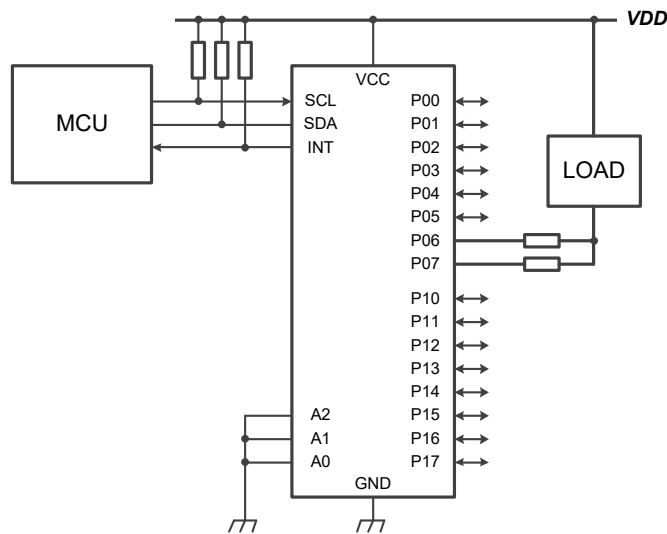
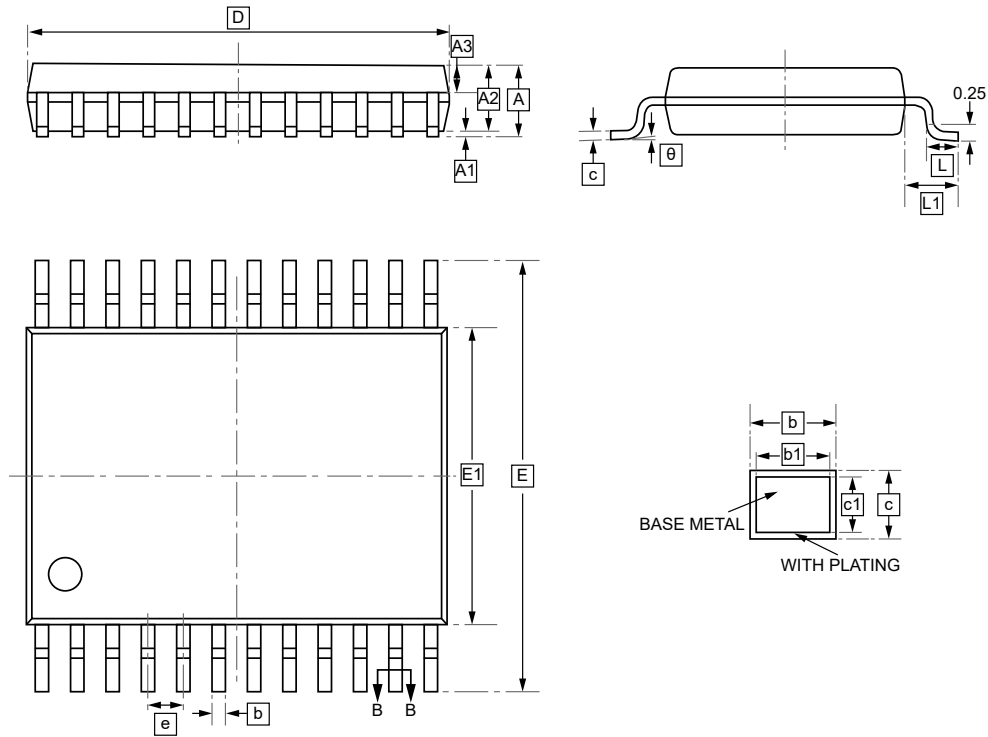


Figure 10. High Current-Drive Load Application



11.1 TSSOP-24 Package Outline Dimensions



DIMENSIONS (mm are the original dimensions)

Symbol	A	A1	A2	A3	b	b1	c	c1	D	E	E1	e
Min	-	0.05	0.80	0.39	0.20	0.19	0.13	0.12	7.70	6.20	4.30	0.65
Max	1.20	0.15	1.05	0.49	0.29	0.25	0.18	0.14	8.0	6.60	4.50	BSC

Symbol	L	L1	θ
Min	0.45	1.00	0°
Max	0.75	BSC	8°



12. Ordering information

PCA9535PW
 UMW yyww
 ○

yy: Year Code
 ww: Week Code

Order Code	Marking	Package	Base QTY	Delivery Mode
UMW PCA9535PW	PCA9535PW	TSSOP-24	4000	Tape and reel
UMW PCA9539PW	PCA9539PW	TSSOP-24	4000	Tape and reel
UMW PCA9555PW	PCA9555PW	TSSOP-24	4000	Tape and reel
UMW PCA9555RGER	PCA9555RG	VQFN-24-EP(4x4)	4000	Tape and reel



13.Disclaimer

UMW reserves the right to make changes to all products, specifications. Customers should obtain the latest version of product documentation and verify the completeness and currency of the information before placing an order.

When applying our products, please do not exceed the maximum rated values, as this may affect the reliability of the entire system. Under certain conditions, any semiconductor product may experience faults or failures. Buyers are responsible for adhering to safety standards and implementing safety measures during system design, prototyping, and manufacturing when using our products to prevent potential failure risks that could lead to personal injury or property damage.

Unless explicitly stated in writing, UMW products are not intended for use in medical, life-saving, or life-sustaining applications, nor for any other applications where product failure could result in personal injury or death. If customers use or sell the product for such applications without explicit authorization, they assume all associated risks.

When reselling, applying, or exporting, please comply with export control laws and regulations of China, the United States, the United Kingdom, the European Union, and other relevant countries, regions, and international organizations.

This document and any actions by UMW do not grant any intellectual property rights, whether express or implied, by estoppel or otherwise. The product names and marks mentioned herein may be trademarks of their respective owners.