

SPECIFICATION FOR APPROVAL

产品规格书

DESCRIPTION : SMD BUZZER
PART NO. : KLJ-1325
USER' S PART NO. :
DATE : 2011. 02. 23
CUSTOMER APPROVED :

Approved By	Checked By	Made By

常州市凯丽金电子有限公司

CHANGZHOU KAILIJIN ELECTRONIC CO., LTD

地址：常州市天宁区恒生科技园 1-1301

电话：0519-88671999-801

手机：13656128000

网址：www.kailijin.cn

邮箱：866@kailijin.cn

KLJ-1325

DATE:2011.02.23

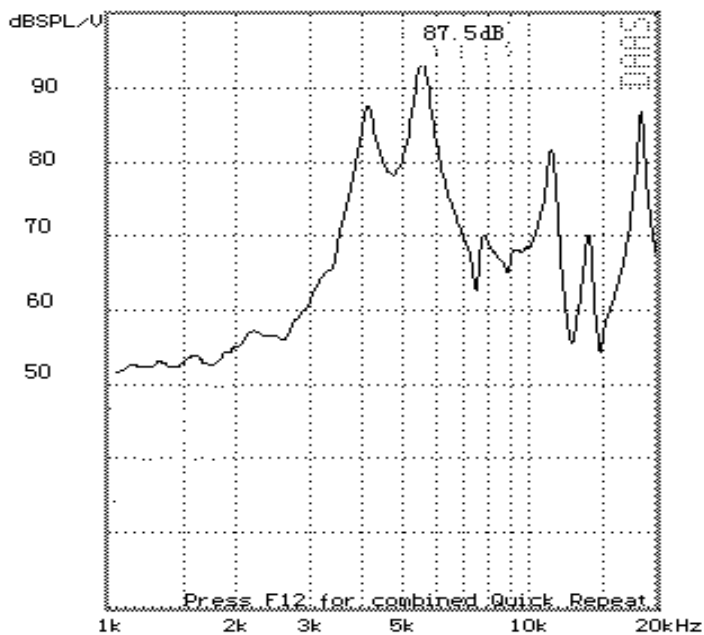
1 . Electrical Characteristics

VER :.0

Operating Voltage	Max25Vp-p
Current Consumption	Max 3mA at 5Vp-p/Square Wave/4.1KHz
Sound Pressure Level	Min 80dB at 10cm/ 5Vp-p/Square Wave/4.0KHz
Electrostatic Capacity	15000±30%pF at 1 KHz/1V
Operating Temperature (°C)	-20~ +70
Storage Temperature (°C)	-30 ~ +80
Dimension	L13×W13×H2.5mm
Environmental protection rule	ROHS

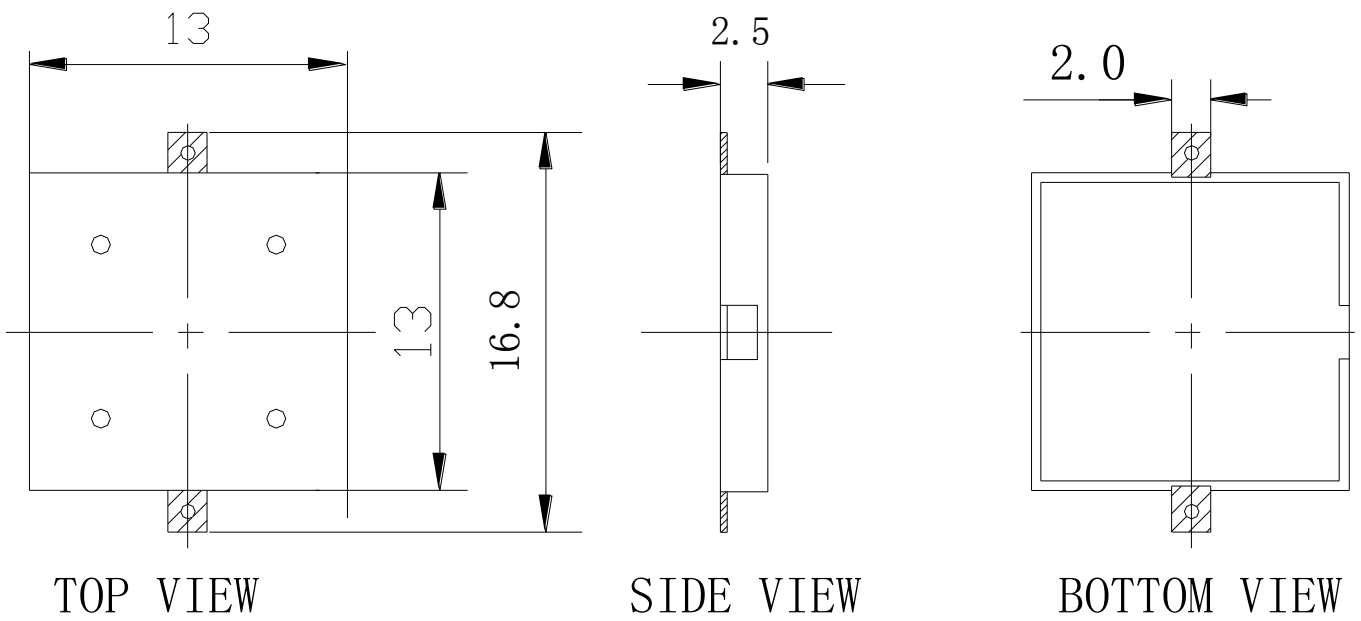
2 . Typical Frequency Response Curve

ESC End	D A A S Frequency Response	i
Distance Loudsp.- Mic.: 10.0 cm		M0:



3 . Dimensions and Material

3-1 Shape



Unit: mm Tol: ± 0.3

3-2 Material

Housing	LCP plastic resin (Color : Black)
Terminal	SMD Type
Weight (Gram)	1

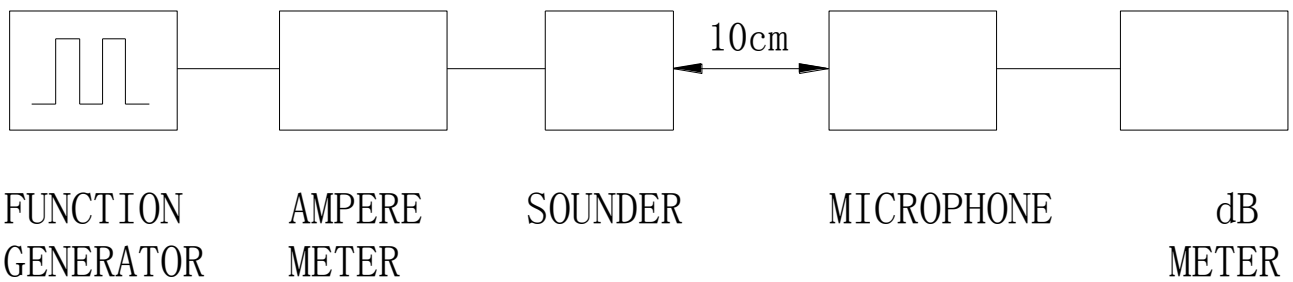
4. TESTING METHOD

- **Standard Measurement conditions**

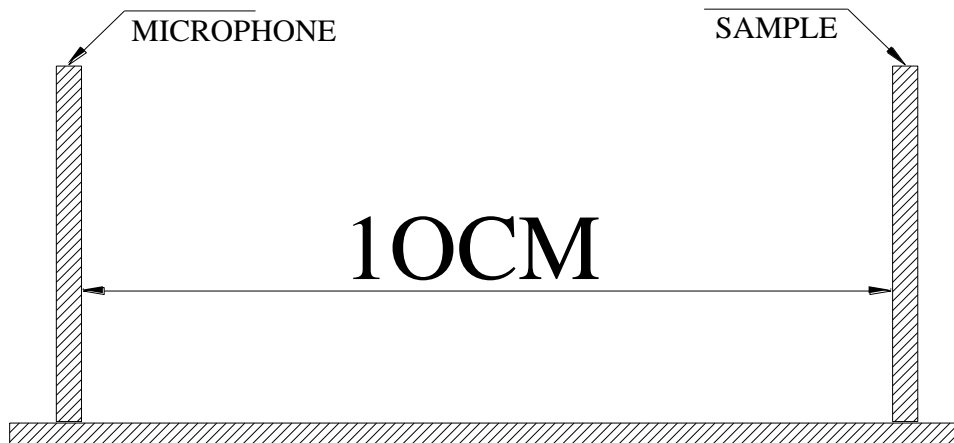
Temperature: 25 ± 2 °C Humidity: 45-60%

- **Acoustic Characteristics**

The oscillation frequency, current consumption and sound pressure are measured by the measuring instruments shown below.



In the measuring test, buzzer is placed as follows:



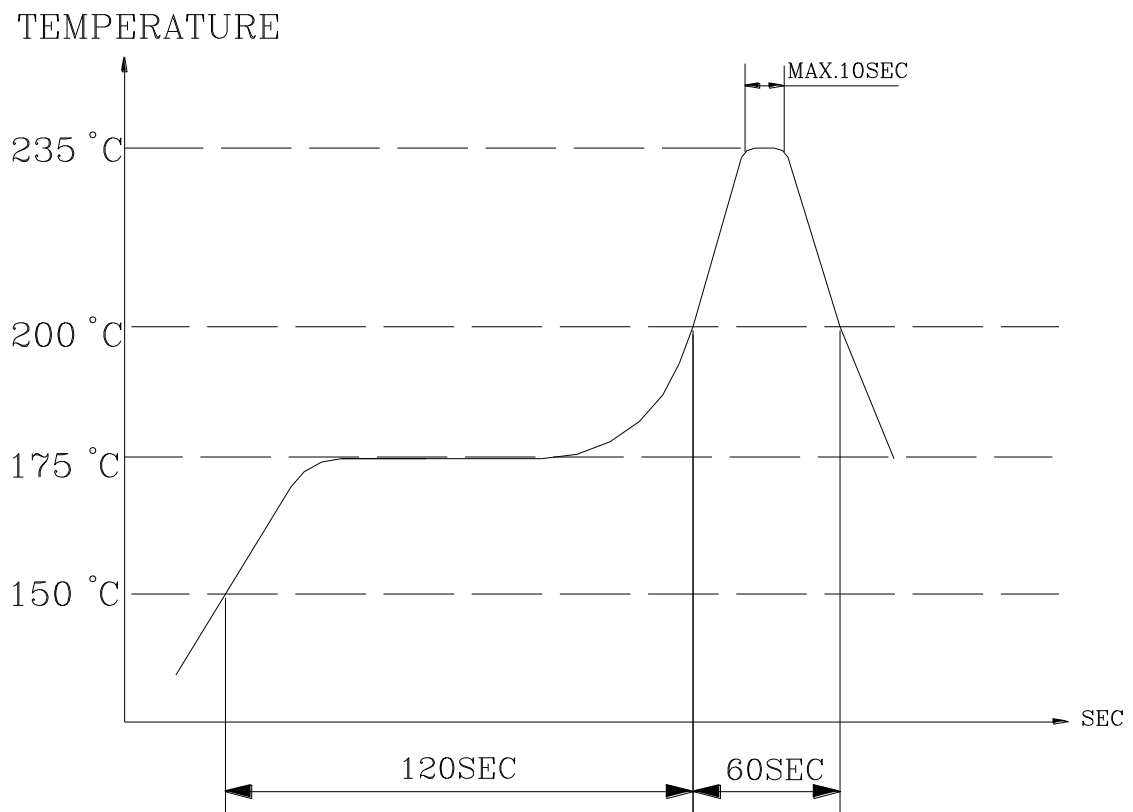
5. RELIABILITY

ITEMS	METHOD OF TEST AND MEASUREMENTS	PERFORMANCE
<i>Coldness withstanding</i>	<i>After 98 hours of being exposed to -30 °C environment, should be returned to normal environment for 2 hours, then re-proceed to test.</i>	<i>No abnormality shall exist</i>
<i>Hotness withstanding</i>	<i>After 98 hours of being exposed to +100 °C environment, should be returned to normal environment for 2 hours, then re-proceed to test.</i>	<i>No abnormality shall exist</i>
<i>Humidity withstanding</i>	<i>After 98 hours of being exposed to 40 °C 95%RH environment in actual operation, should be returned to normal environment for 2 hours, then re-proceed to test.</i>	<i>No abnormality shall exist</i>
<i>Durability</i>	<i>Testing after 1,000 hours actual continuous operation.(at standard measurement conditions)</i>	<i>No abnormality shall exist</i>
<i>Drop withstanding</i>	<i>A natural drop from 75cm high down to the ground.</i>	<i>No abnormality shall exist</i>
<i>Vibration withstanding</i>	<i>Vibration of 2,000 cycles per minute, 2mm amplitude, applied in X, Y and Z directions for 30 minutes each.</i>	<i>No abnormality shall exist</i>

6.Soldering Condition

*(1)Recommendable reflow soldering condition is as follows
(Reflow soldering is twice)*

*Note:It is requested that reflow soldering should be executed
after heat of product goes down to normal.*



Heat resistant line

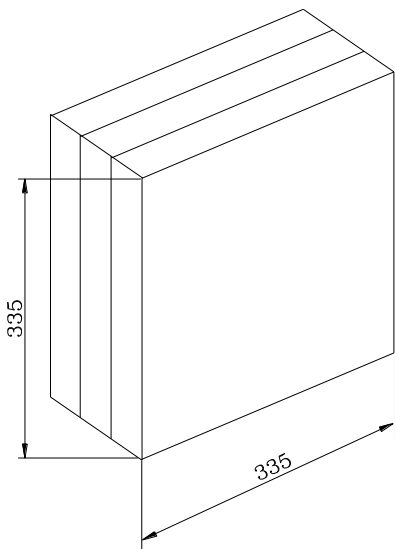
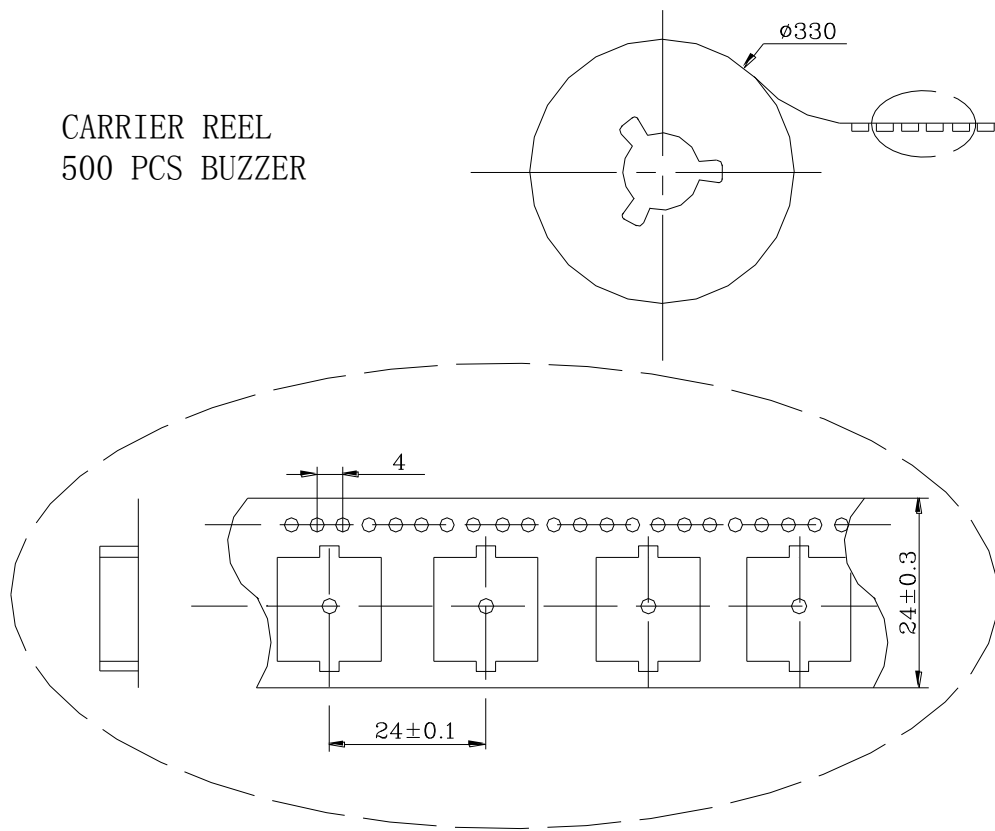
(Used when heat resistant reliability test is performed)

(2)Manual soldering

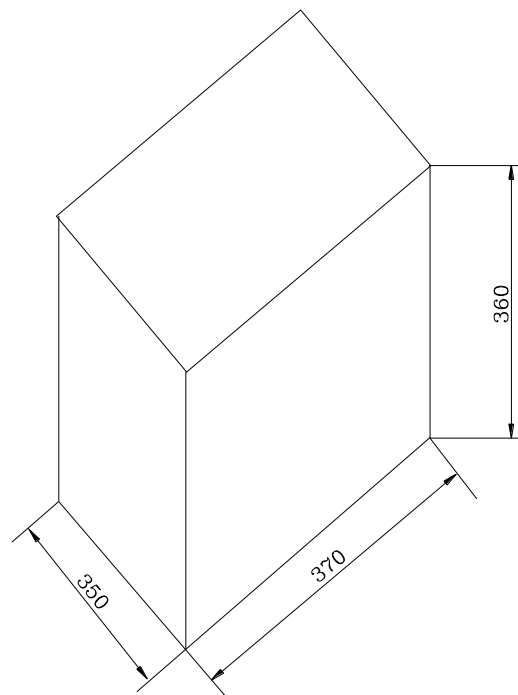
Manual soldering temperature 350 C within 10 sec.

7. PACKAGE METHOD

CARRIER REEL
500 PCS BUZZER



INNER BOX
1 ROLL CARRIER REEL



CARTON BOX
10 INNER BOX
5K PCS BUZZER

Unit:mm