

| REV | ECN No. | DATE       | REMARK      |
|-----|---------|------------|-------------|
| A   | NEW     | 2020.12.15 | NEW RELEASE |

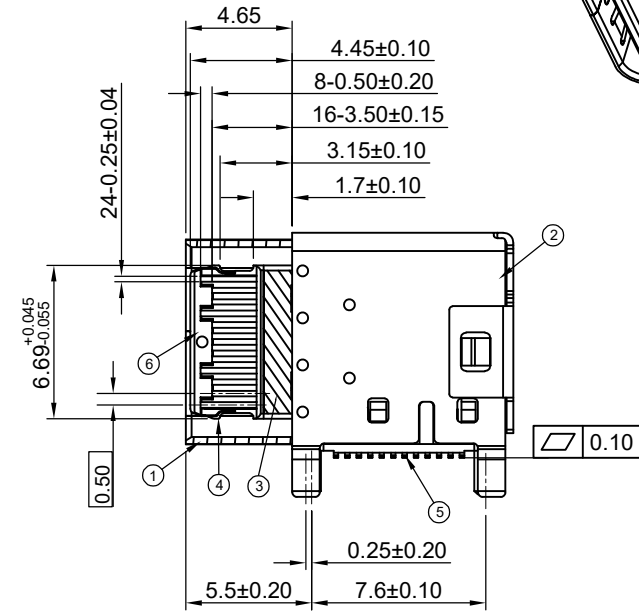
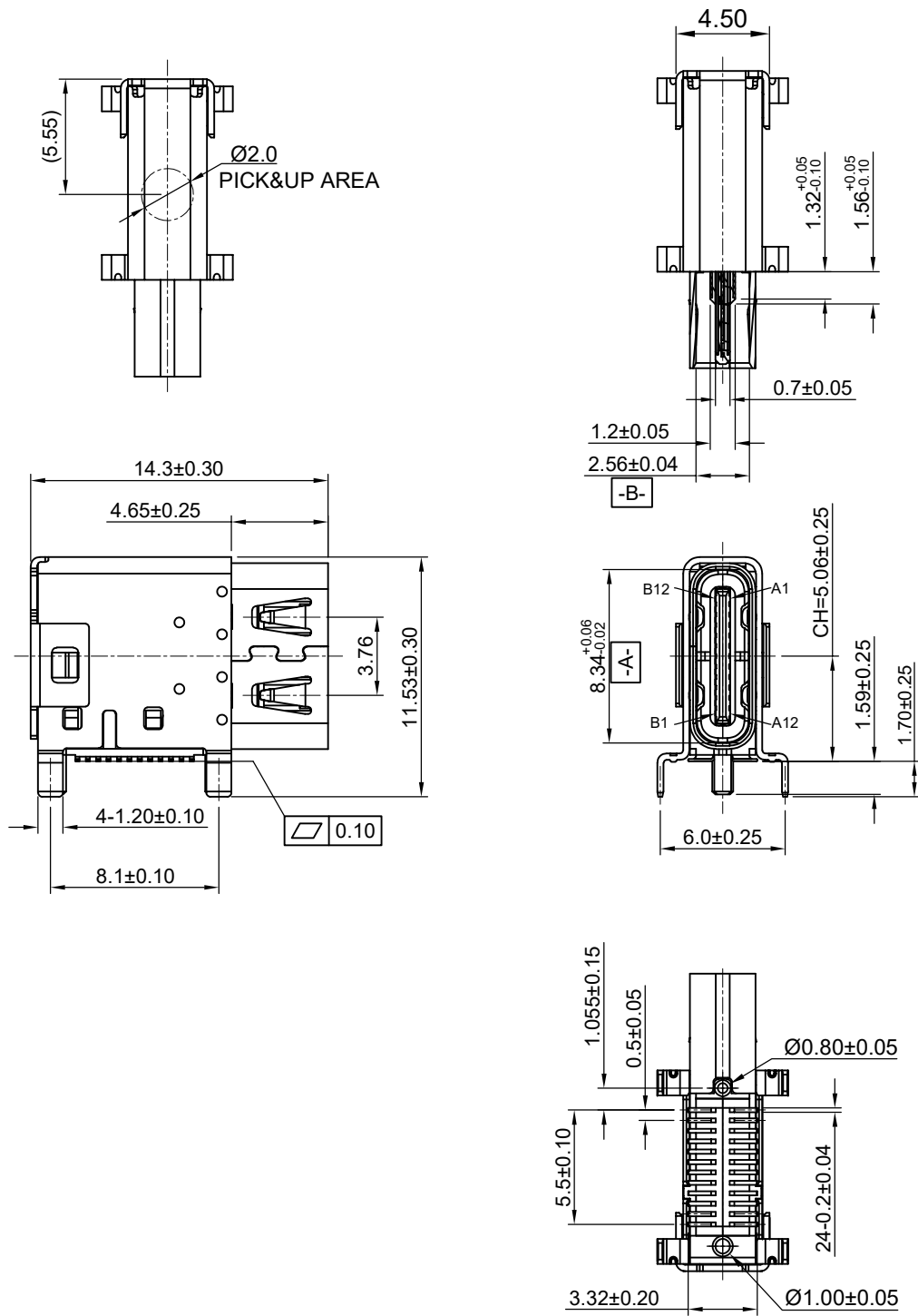
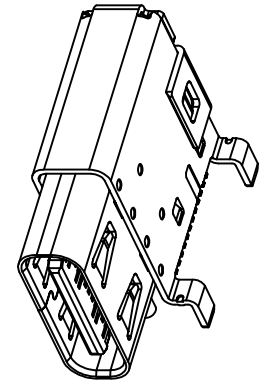
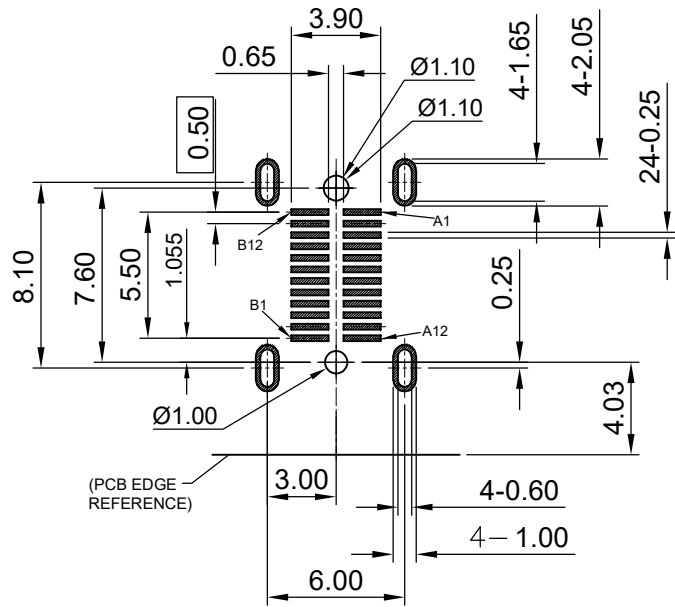


TABLE:

| NO | PART        | QTY | Material  |
|----|-------------|-----|---|
| 1  | FRONT SHELL | 1   | STAINLESS STEEL 304, NI 50u" MIN PLATED (哑镍)  |
| 2  | BACK SHELL  | 1   | STAINLESS STEEL 304, NI 50u" MIN PLATED (哑镍)  |
| 3  | EMI Plate   | 1   | STAINLESS STEEL 304 T=0.10 NICKEL 50u"MIN PLATING.  |
| 4  | Mid Plate   | 1   | STAINLESS STEEL 301, T=0.15,NO PLATED   |
| 5  | CONTACT     | 24  | COPPER ALLOY C18400,T=0.12,Au Plated On Vontact Area GF Plated On Solder Area;Nickel 50u"Min Underplating Over All. |
| 6  | HOUSING     | 1   | LCP BLACK UL94 V-0 (HF)   |

|                                       |       |                          |  |                  |       |   |           |
|---------------------------------------|-------|--------------------------|--|------------------|-------|---|-----------|
| GENERAL TOLERANCES (UNLESS SPECIFIED) |       | DRAWN BY: HuangXiaoHao   |  | Date: 2020.12.15 |       | 深圳市中科兴达科技有限公司<br>Shenzhen Zhongke Xingda Technological Co.,Ltd. |           |
| X.XXX                                 | ±0.10 | CHECKED BY: liuzongliang |  | Date: 2020.12.15 |       |   |           |
| X.XX                                  | ±0.20 | APPROVED BY: Jacky       |  | Date: 2020.12.15 |       | PART NO.<br>CF624-001SLB12R-02                                  |           |
| X.X                                   | ±0.30 | THIRD ANGLE PROJECTION   |  | UNT              | SCALE | DRAWING   | SHEET NO. |
| ANGULAR                               | ±3°   | mm                       |  | 1:1              | A4    | 1 OF 3  | REV.<br>A |

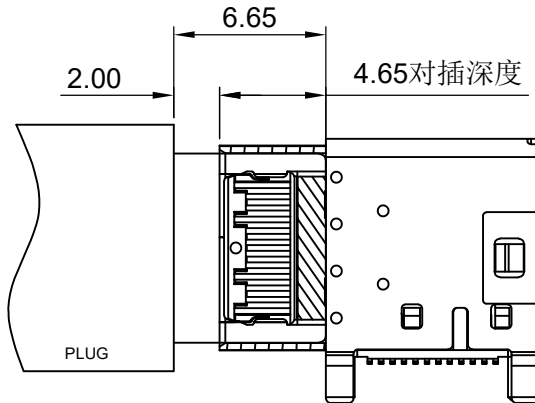
| REV | ECN No. | DATE       | REMARK      |
|-----|---------|------------|-------------|
| A   | NEW     | 2020.12.15 | NEW RELEASE |



**RECOMMENDED P.C.B LAYOUT**  
TOLERANCE ± 0.05mm (TOP VIEW)

**USB Type-C Pin Assignments**

| Pin Number | Signal Name | Pin Number | Signal Name |
|------------|-------------|------------|-------------|
| A1         | GND         | B12        | GND         |
| A2         | SSTXp1      | B11        | SSRXp1      |
| A3         | SSTXn1      | B10        | SSRXn1      |
| A4         | VBUS        | B9         | VBUS        |
| A5         | CC1         | B8         | SBU2        |
| A6         | Dp1         | B7         | Dn2         |
| A7         | Dn1         | B6         | Dp2         |
| A8         | SBU1        | B5         | CC2         |
| A9         | VBUS        | B4         | VBUS        |
| A10        | SSRXn2      | B3         | SSTXn2      |
| A11        | SSRXp2      | B2         | SSTXp2      |
| A12        | GND         | B1         | GND         |



MATED CONDITION(REF.)

**NOTE:**

- ELECTRICAL PERFORMANCE,
  - CURRENT RATING:5 AMPS. FOR TOTAL VBUS/GND PINS;  
1.25AMPS FOR CC PIN,  
0.25 AMPS. FOR ALL OTHER CONTACT.
  - VOLTAGE RATING:20V DC/AC (RMS. MAX)
  - LLCR:.  
VBUS & GND PINS AND OTHER PINS: 40mΩ/PIN MAX.  
SHIELD:50mΩ/MAX.  
LLCR MAX. CHANGE OF ALL PINS: 10mΩ.
  - INSULATION RESISTANCE: 100MΩ MIN
  - DIELECTRIC WITHSTAND VOLTAGE,AC 100V FOR 1 MINUTE.
- MECHANICAL PERFORMANCE,
  - INSERTION FORCE: 5~20N.
  - EXTRACTION FORCE: 8~20N.
  - DURABILITY: 10000 CYCLES.
- ENVIRONMENTAL PERFORMANCE:  
OPERATING TEMPERATURE: -40°C~+85°C.
- IR REFLOW:  
THE PEAK TEMPERATURE ON THE BOARD SHALL BE MAINTAINED FOR 10 SECONDS AT 260°C.
- COMPLIANCE WITH ROHS REQUIREMENTS.
- SALT SPRAY:48H

|              |                      |
|--------------|----------------------|
| TID NO.      | 9890                 |
| IEC62680-1-3 | 24B01N001448-001-COM |

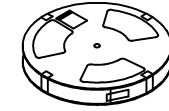
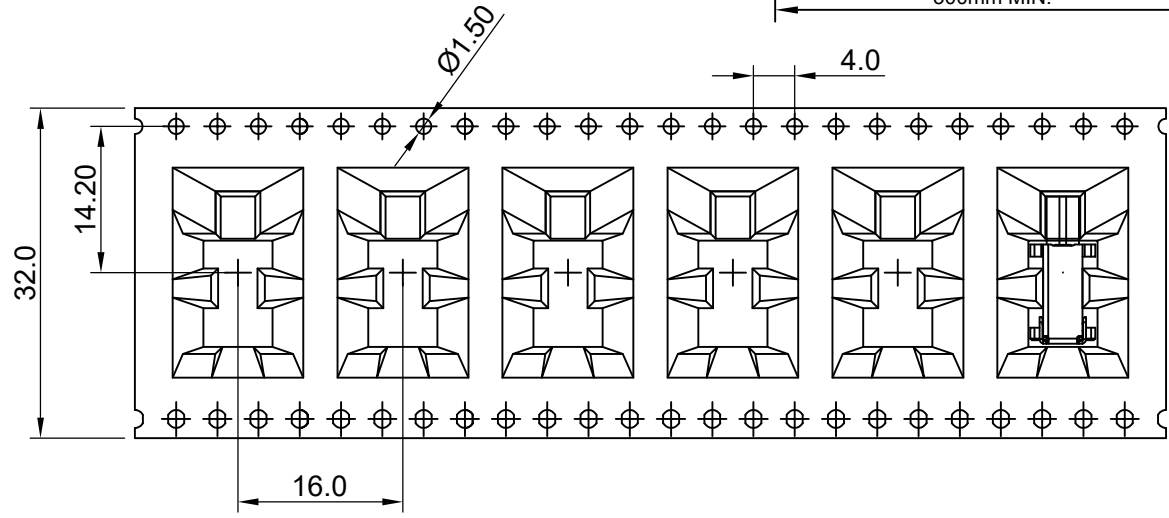
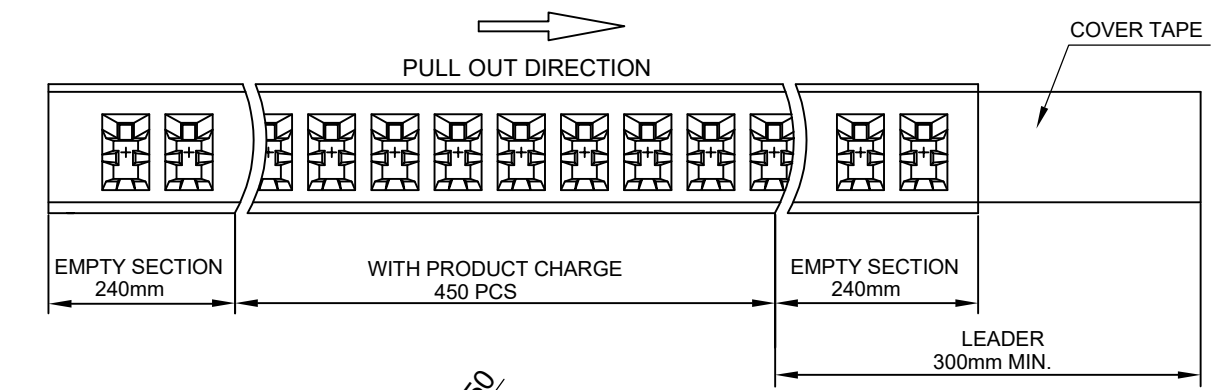
**Ordering Information:**

CF 6 24 - 001 S  $\frac{L}{1}$   $\frac{X}{2}$   $\frac{XX}{3}$   $\frac{X}{4}$   $\frac{X}{5}$   $\frac{X}{6}$  - 02

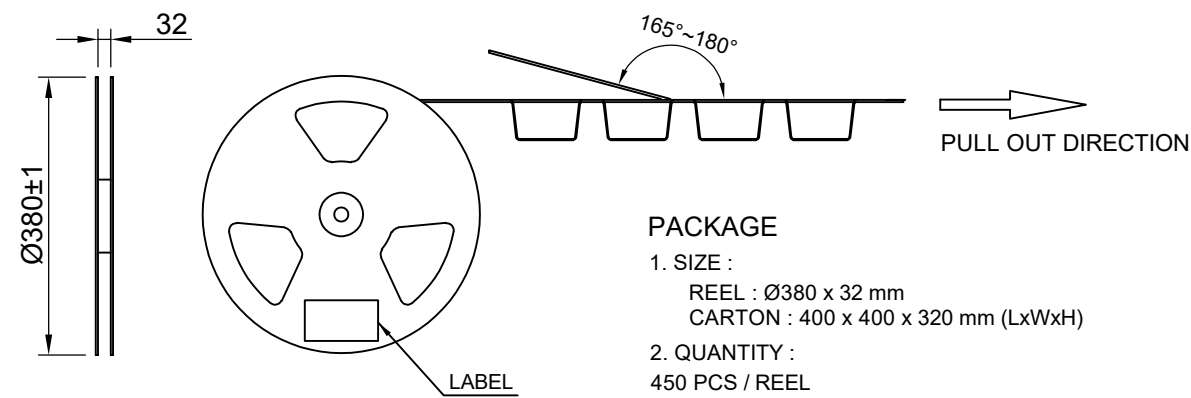
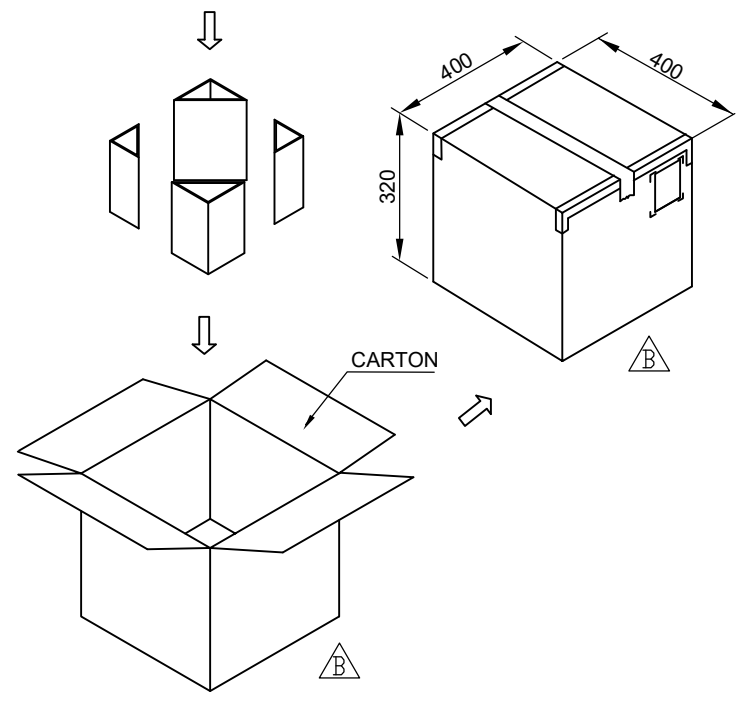
- Product Type:  
6: UPRIGHT TYPE
- Pin No.:  
24:24Pin
- HOUSING MATERIALS:  
L:LCP
- Housing Color:  
B:Black
- Contacts Plated:  
12:Contact Area: Au 3u", Solder Tails:GF  
14:Contact Area: Au 15u", Solder Tails:GF
- Packing Options:  
R:Tape & Reel  
VR:Tape & Teel+Vacuum Packaging

|                                       |        |   |            |  |              |
|---------------------------------------|--------|---|------------|--|--------------|
| GENERAL TOLERANCES (UNLESS SPECIFIED) |        | DRAWN BY: Date: HuangXiaoHao 2020.12.15   |            | ZDT 深圳市中兴兴达科技有限公司 Shenzhen Zhongke Xingda Technological Co.,Ltd. |              |
| X.XXX                                 | ±0.10  | CHECKED BY: Date: liuzongliang 2020.12.15 |            | TITLE<br>Type-C 24Pin Female Upright Type                        |              |
| X.XX                                  | ±0.20  | APPROVED BY: Date: Jacky 2020.12.15       |            | PART NO.   | DWG NO.      |
| X.X                                   | ±0.30  | ANGULAR ±3°                               |            | CF624-001SLB12R-02   | CF624-001-02 |
| THIRD ANGLE PROJECTION                | UNT mm | SCALE 1:1                                 | DRAWING A4 | SHEET NO. 2 OF 3   | REV. A       |

| REV | ECN No. | DATE       | REMARK      |
|-----|---------|------------|-------------|
| A   | NEW     | 2020.12.15 | NEW RELEASE |



REEL X8



**PACKAGE**

1. SIZE :  
 REEL : Ø380 x 32 mm  
 CARTON : 400 x 400 x 320 mm (LxWxH)
2. QUANTITY :  
 450 PCS / REEL  
 8 REEL / CARTON = 3,600 PCS

|                                       |       |                          |  |                  |  |   |  |
|---------------------------------------|-------|--------------------------|--|------------------|--|---|--|
| GENERAL TOLERANCES (UNLESS SPECIFIED) |       | DRAWN BY: HuangXiaoHao   |  | Date: 2020.12.15 |  | ZDT 深圳市中科兴达科技有限公司<br>Shenzhen Zhongke Xingda Technological Co.,Ltd. |  |
| X.XXX                                 | ±0.10 | CHECKED BY: liuzongliang |  | Date: 2020.12.15 |  | TITLE<br>Type-C 24Pin Female Upright Type                           |  |
| X.XX                                  | ±0.20 | APPROVED BY: Jacky       |  | Date: 2020.12.15 |  | PART NO.<br>CF624-001SLB12R-02                                      |  |
| X.X                                   | ±0.30 | THIRD ANGLE PROJECTION   |  | SCALE<br>1:1     |  | DWG NO.<br>CF624-001-02   |  |
| ANGULAR                               | ±3°   | UNIT<br>mm               |  | DRAWING<br>A4    |  | SHEET NO.<br>3 OF 3   |  |
|                                       |       |                          |  |                  |  | REV.<br>A   |  |