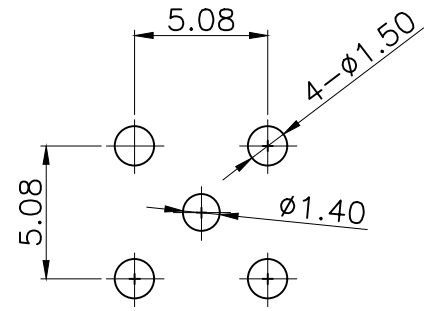
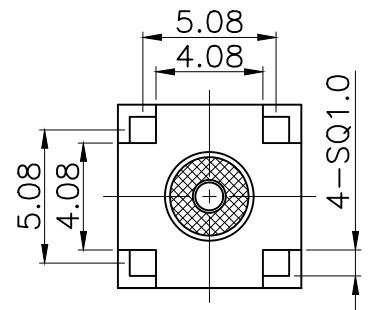
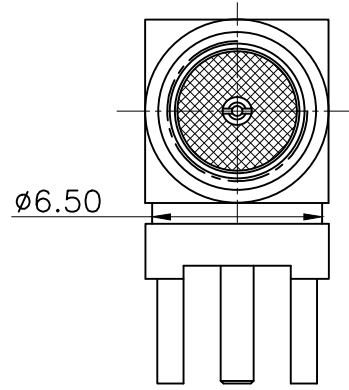
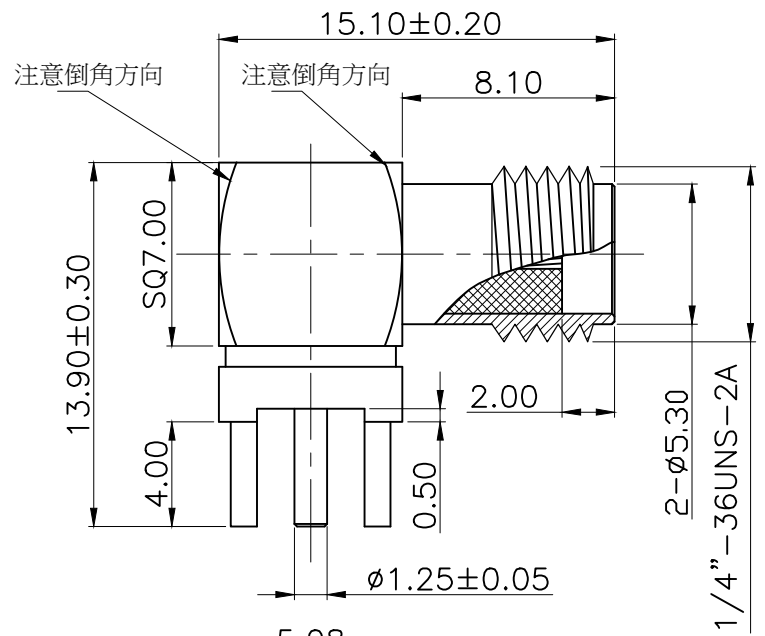


REV.	ECN NO.	LOCAS.	DESCRIPTION	DATE	DESIGN
A0			The first edition released	2017.05.10	GYL
A1			统一料号	2018.11.19	Mark



PCB LAYOUT

1. Electrical Characteristics

- 1.1 Impedance: 500hm
- 1.2 Working Frequency: DC-6GHz, VSWR: ≤1.50
- 1.3 Working Voltage: 335V/max
- 1.4 Insulation Resistance: 5000 Mohm
- 1.5 Contact Resistance: Center Contact: 3 mohm
- 1.6 Outer Contact: ≤ 2.0 mohm

2. Environmental

- 2.1 Working Temperature Range: -55°C~+125°C

H350
 * NO USING RESTRICTED AND BANNED SUBSTANCE

DIM	TOL	DIM	TOL
X.	±0.30	X'	±4.0'
X.X	±0.20	X.X'	±3.0'
X.XX	±0.10	X.XX'	±2.0'
X.XXX	±0.05	X.XXX'	±1.0'

HJ-Tech		东莞市皇捷通讯科技有限公司	
DRAW NO.		DATE	2017.05.10
DESIGN:	GYL	DRAW NAME:	90度SMA母头母针FOR PCB
CHECK:		FILE:	
APPROVED:		MODEL:	
		REV. A0	SCALE N/A
		P/N NO.	2LC15SF055
		UNIT:	mm
		SHEET:	N/A