

130008 ✓ ACTIVE



PIDG

TE Internal #: 130008

Closed Ring Tongue Terminal, 22 – 16 AWG, M5 Stud, 5.2 mm [.205 in] Stud Diameter, Closed Barrel, Straight, Tin Plating, Partially Insulated, PIDG

[View on TE.com >](#)

Terminals & Splices > Ring Terminals > PIDG Ring Tongue Terminals



Ring Terminal Product Type: Closed Ring Tongue Terminal

Wire Size: 509 – 3260 CMA

Stud Size: M5

[All PIDG Ring Tongue Terminals \(410\)](#)

Features

Configuration Features

Number of Holes	1
-----------------	---

Mechanical Attachment

Wire Insulation Support	With
-------------------------	------

Electrical Characteristics

Voltage Rating	300 V
----------------	-------

Industry Standards

Government Qualified Terminal	No
-------------------------------	----

Packaging Features

Packaging Quantity	1000
Packaging Method	Box

Product Type Features

Ring Terminal Product Type	Closed Ring Tongue Terminal
Stud Size	M5



Sealable	No
----------	----

Wire Insulation Support Retention Type	Insulation Support
--	--------------------

Contact Features

Barrel Type	Closed
-------------	--------

Terminal Orientation	Straight
----------------------	----------

Terminal Plating Material	Tin
---------------------------	-----

Dimensions

Wire Size	509 – 3260 CMA
-----------	----------------

Stud Diameter	5.2 mm [.205 in]
---------------	------------------

Tongue Thickness	.79 mm [.031 in]
------------------	------------------

Product Length	17.4 mm [.685 in]
----------------	-------------------

Compatible Insulation Diameter (Max)	3.56 mm [.14 in]
--------------------------------------	------------------

Compatible Insulation Diameter Range	2.67 – 3.56 mm [.105 – .14 in]
--------------------------------------	--------------------------------

Usage Conditions

Insulation Option	Partially Insulated
-------------------	---------------------

Operation/Application

Compatible With Wire Base Material	Copper
------------------------------------	--------

Compatible With Wire Plating Material	Tin
---------------------------------------	-----

Other

EU RoHS Compliance	Compliant
--------------------	-----------

EU ELV Compliance	Compliant
-------------------	-----------

Product Compliance

[For compliance documentation, visit the product page on TE.com>](#)

EU RoHS Directive 2011/65/EU	Compliant
------------------------------	-----------

EU ELV Directive 2000/53/EC	Compliant
-----------------------------	-----------

China RoHS 2 Directive MIIT Order No 32, 2016	No Restricted Materials Above Threshold
---	---

EU REACH Regulation (EC) No. 1907/2006	Current ECHA Candidate List: JUNE 2024 (241) Candidate List Declared Against: JUNE 2024 (241) Does not contain REACH SVHC
--	---

Halogen Content	Low Halogen - Br, Cl, F, I < 900 ppm per homogenous material. Also BFR/CFR/PVC
-----------------	--

Free

Solder Process Capability

Not applicable for solder process capability

Product Compliance Disclaimer

This information is provided based on reasonable inquiry of our suppliers and represents our current actual knowledge based on the information they provided. This information is subject to change. The part numbers that TE has identified as EU RoHS compliant have a maximum concentration of 0.1% by weight in homogenous materials for lead, hexavalent chromium, mercury, PBB, PBDE, DBP, BBP, DEHP, DIBP, and 0.01% for cadmium, or qualify for an exemption to these limits as defined in the Annexes of Directive 2011/65/EU (RoHS2). Finished electrical and electronic equipment products will be CE marked as required by Directive 2011/65/EU. Components may not be CE marked. Additionally, the part numbers that TE has identified as EU ELV compliant have a maximum concentration of 0.1% by weight in homogenous materials for lead, hexavalent chromium, and mercury, and 0.01% for cadmium, or qualify for an exemption to these limits as defined in the Annexes of Directive 2000/53/EC (ELV). Regarding the REACH Regulation, the information TE provides on SVHC in articles for this part number is based on the latest European Chemicals Agency (ECHA) 'Guidance on requirements for substances in articles' posted at this URL: <https://echa.europa.eu/guidance-documents/guidance-on-reach>

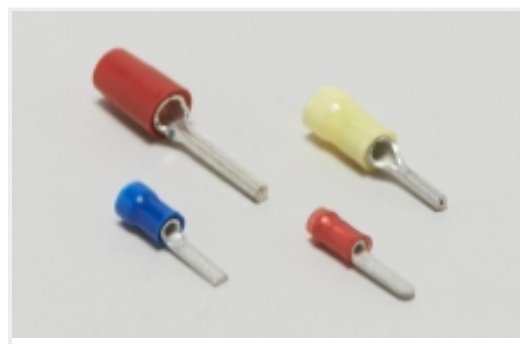
Compatible Parts



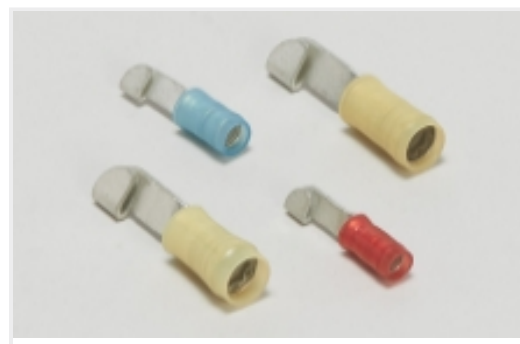
Also in the Series | **PIDG**



Compression Connectors(17)



Crimp Wire Pins, Tabs & Ferrules(41)



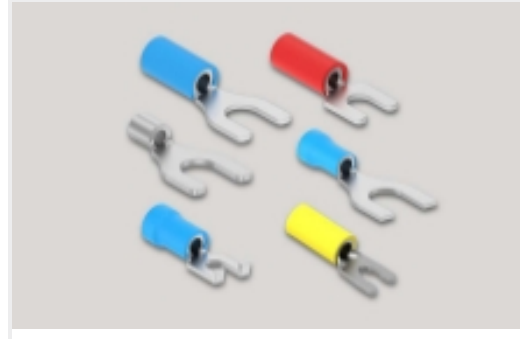
Knife Disconnects(11)



Quick Disconnects(38)



Ring Terminals(588)



Spade Terminals(228)

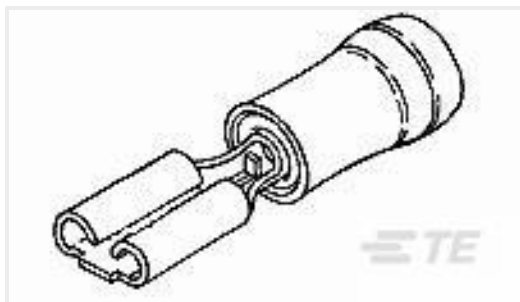


Special Purpose Terminals(1)

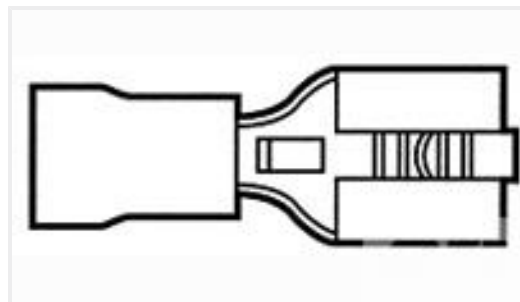


Splices(41)

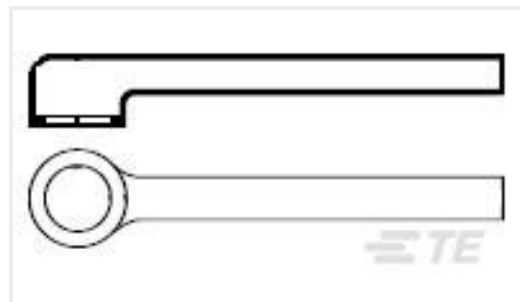
Customers Also Bought



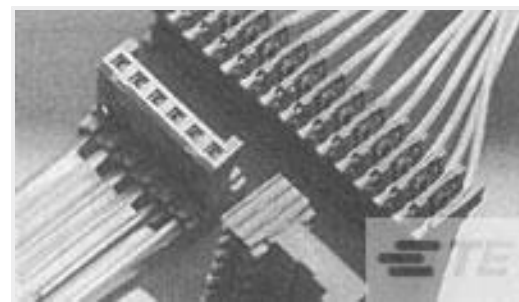
TE Part #165565-2
2,8 PIDG FASTON REC



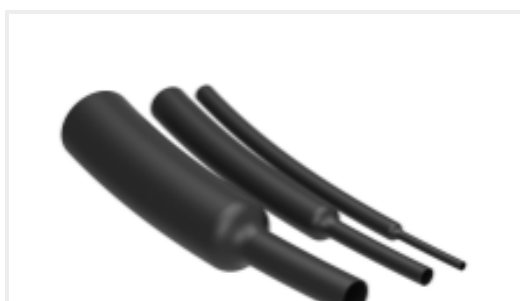
TE Part #9-160313-5
250 PIDG FASTON REC



TE Part #852703-000
222F232-71-0



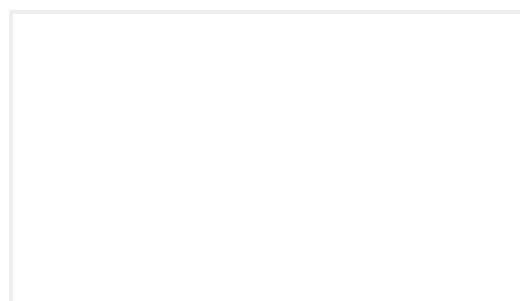
TE Part #144273-4
PLUG HE13 IDC 90 4 P AWG 24



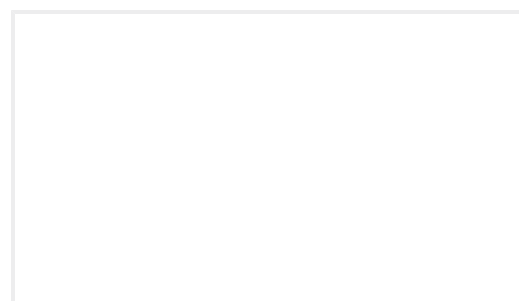
TE Part #5069806029
CGPT-1.6/0.8-0-15MM



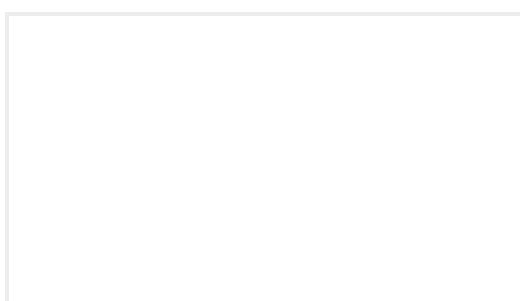
TE Part #926647-2
15P UN-MNL AUFN-GEH



TE Part #APH1-17-18-45-1-B
APH1-17-18-45-1-B



TE Part #CH5298-000
PP000009



TE Part #1103016-1
MDL2.HD.18.ST1C



TE Part #3-1105000-2
HD.M-C-ST1.AU.0,8

Documents



Product Drawings

PIDG, RING, 22-16 5MM

English

CAD Files

3D PDF

3D

Customer View Model

[ENG_CVM_CVM_130008_H.2d_dxf.zip](#)

English

Customer View Model

[ENG_CVM_CVM_130008_H.3d_igs.zip](#)

English

Customer View Model

[ENG_CVM_CVM_130008_H.3d_stp.zip](#)

English

By downloading the CAD file I accept and agree to the [Terms and Conditions](#) of use.

Datasheets & Catalog Pages

PIDG Terminals and Splices Quick Reference Guide

English

PIDG TERMINALS & SPLICES Quick Reference Guide

English

Agency Approvals

CSA Certificate

English