

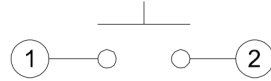
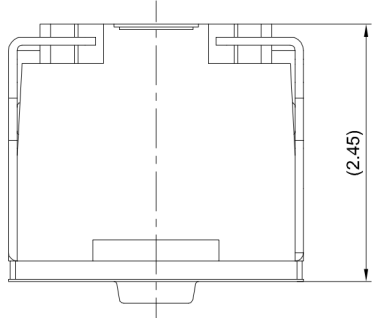
A

B

C

D

E



CIRCUIT DIAGRAM



GT-TC035X-H0195-L3

G-Switch

Operating Force

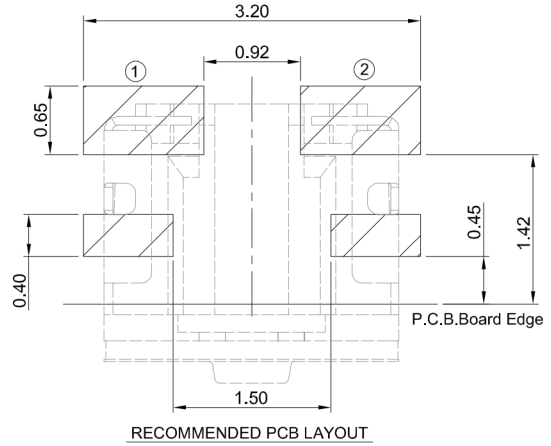
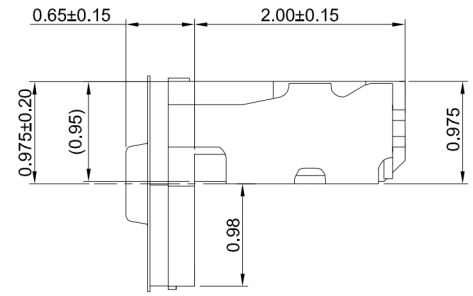
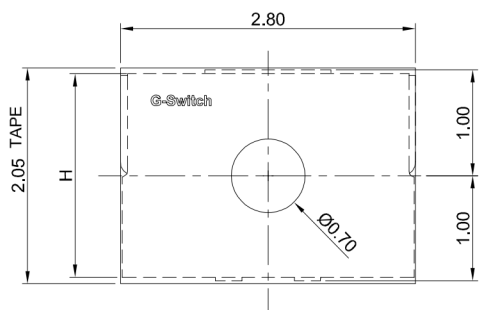
- A=160gf
- B=250gf
- C=100gf

Switch Height

H0195=1.95mm

Switch Lifetime (Force)

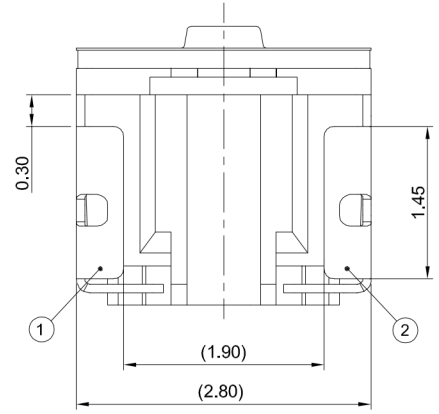
L3=300,000 Cycles



RECOMMENDED PCB LAYOUT

G-Switch Specification:

- Operating temperature range: -40 to +85
- Rating: 50mA, 12V DC
- Insulation resistance: 100MΩ min, 100V DC
- Dielectric strength: 250V AC for 1 min
- Contact resistance: 100m Ω max.
- Travel: 0.15±0.05mm



5	STEM	LCP-130i	WHITE
4	TAPE	POLYIMIDE	
3	CONTACT	STAINLESS STEEL	Ag PLATING
2	TERMINAL	COPPER ALLOY	Ag PLATING
1	BASE	HIGH TEMPERATURE PLASTIC	BLACK
NO.	PART NAME	MATERIAL	REMARK



SCALE: 1:1 UNIT: mm
 SIZE: A4

Unless otherwise General Tolerance:
 X. ±0.30
 X.x ±0.20
 X.xx ±0.15
 X.xxx ±0.10
 Angles ±3°

Title: Horizontal Tact Switch SMT
 Sink0.98 2.8×2.45×1.95mm

Molde Code: GT-TC035X-H0195-L3

DRAWN	CHECKED	APPROVED	DATE
Xia	Chen	Chen	2023.02.01



REV: A0 SHEET: 1/1

A

B

C

D

E