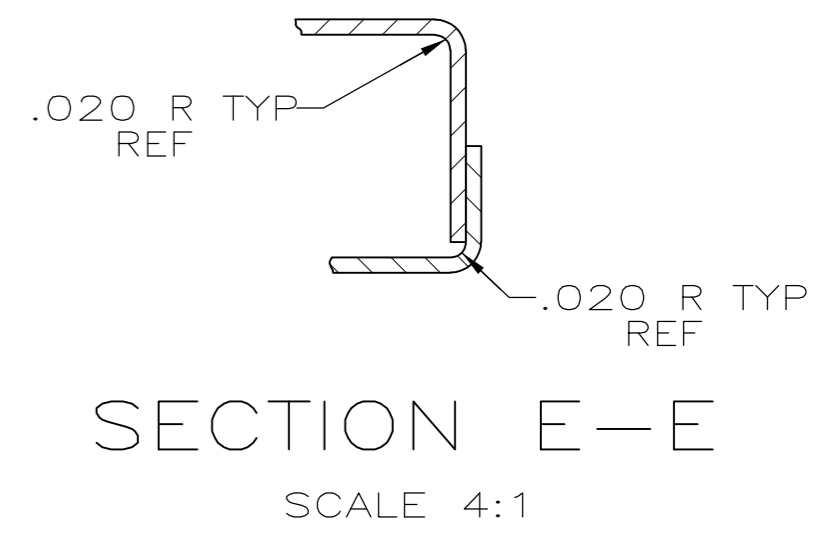
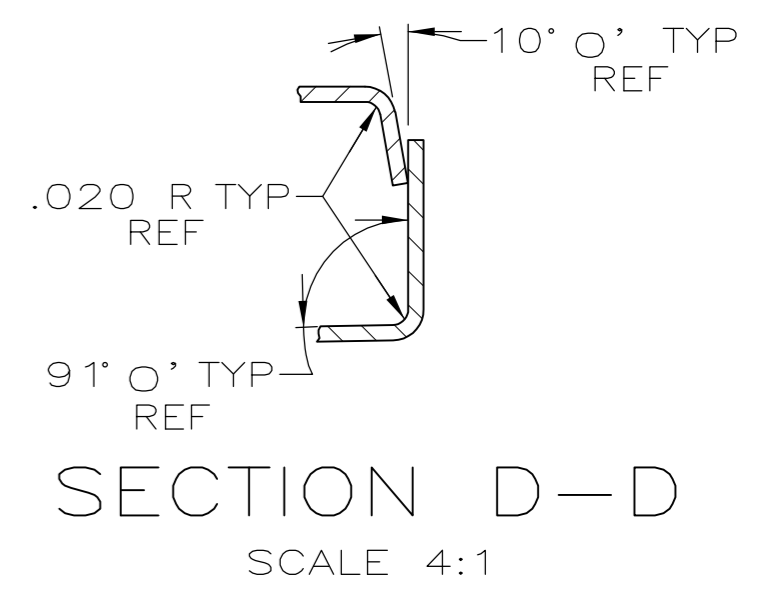
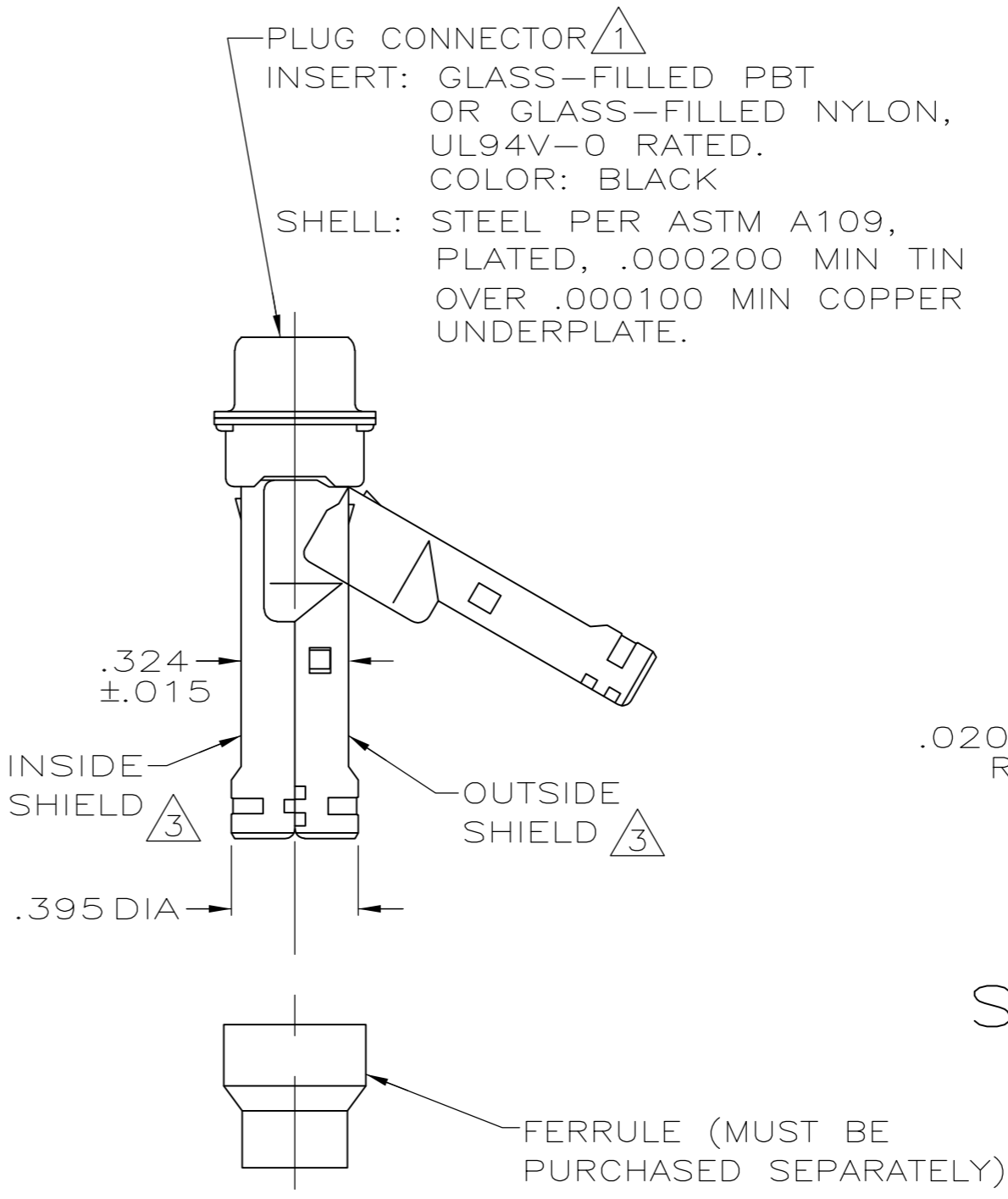
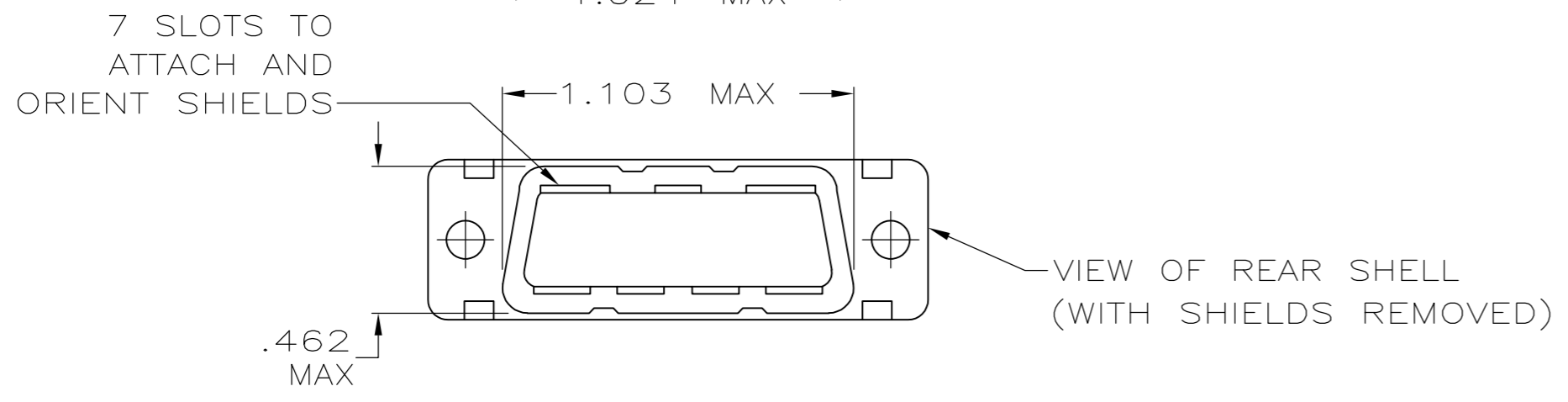
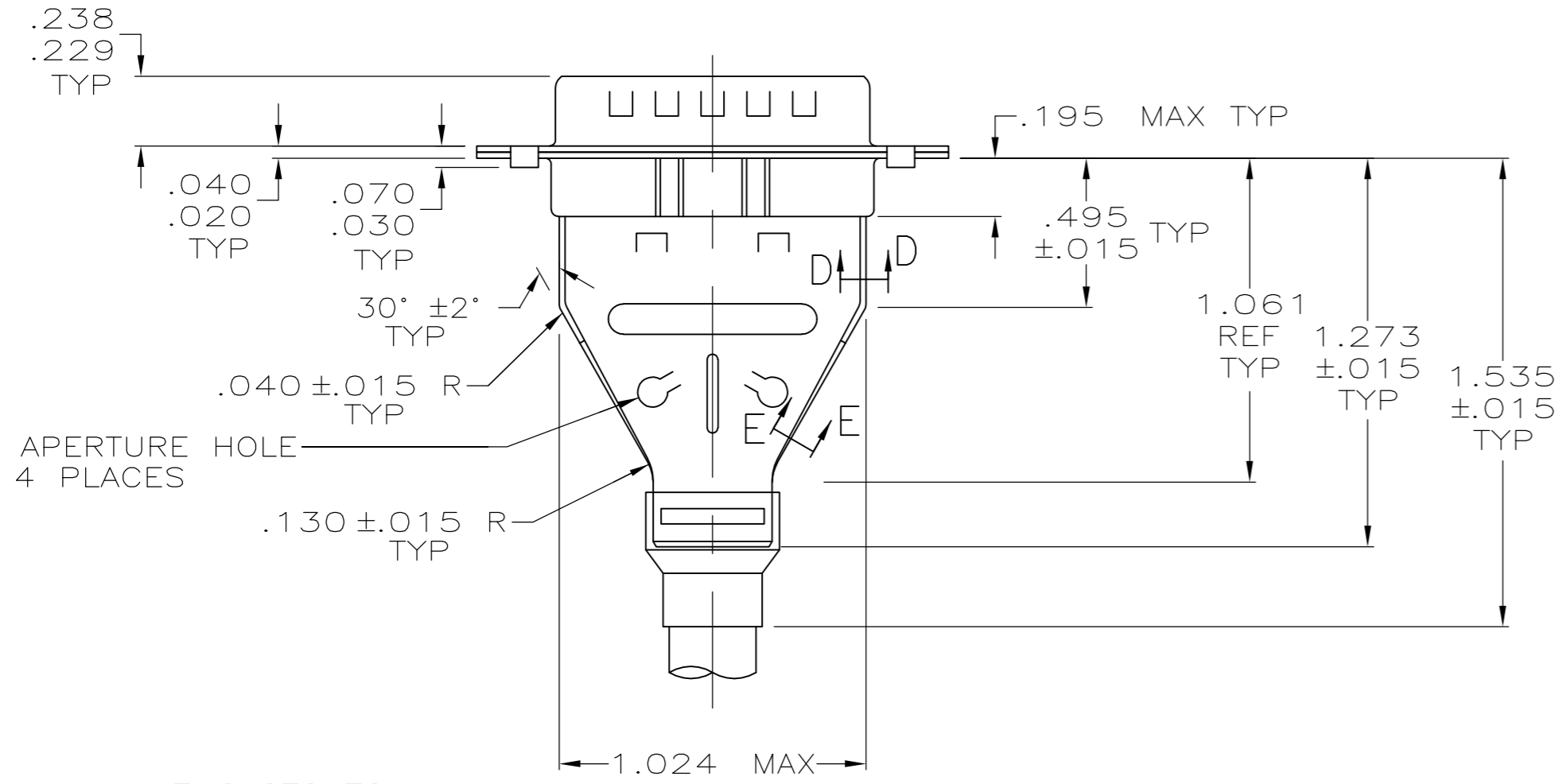
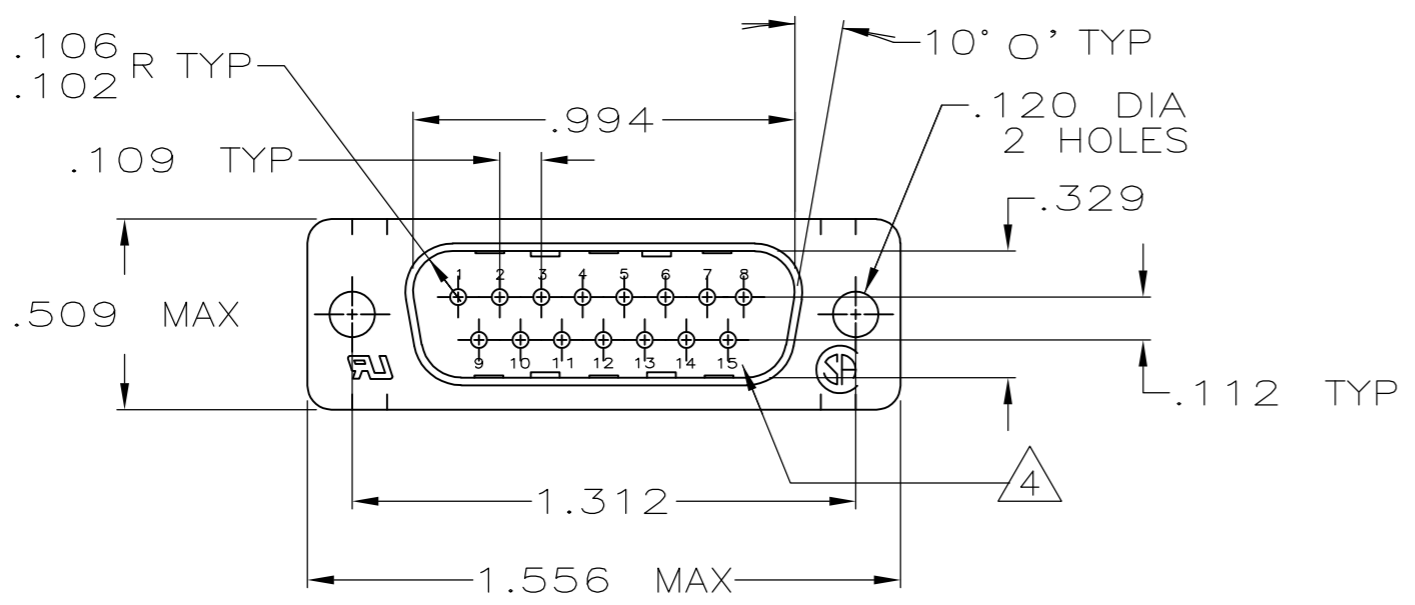


THIS DRAWING IS UNPUBLISHED. RELEASED FOR PUBLICATION  
 © COPYRIGHT - By - ALL RIGHTS RESERVED.

LOC		DIST		REVISIONS			
P	LTR	DESCRIPTION		DATE	DWN	APVD	
GP	00	A	REVISED PER ECO-14-011808		09AUG2014	AP	SB



- ① PLUG ACCEPTS SIZE 20 PIN CONTACTS (CONTACTS MUST BE ORDERED SEPARATELY).
- 2. ALL PARTS SHIPPED UNASSEMBLED, EACH PART INDIVIDUALLY BULK PACKED.
- ③ SHIELDS: MATERIAL-.020 THICK STEEL, PER ASTM A109, PLATED .000200 MIN TIN OVER .000100 MIN COPPER UNDERPLATE.
- ④ RAISED CAVITY IDENTIFICATION AND AMP TRADEMARK.

1658647-1  
 PART NUMBER

THIS DRAWING IS A CONTROLLED DOCUMENT.		DWN	J.REITZEL	30JUL03		TE Connectivity		
DIMENSIONS: INCHES		CHK	S.BOLASH	30JUL03		NAME		
TOLERANCES UNLESS OTHERWISE SPECIFIED:		APVD	M.WALMSLEY	30JUL03		PRODUCT SPEC		
0 PLC ± - 1 PLC ± - 2 PLC ± - 3 PLC ± .005 4 PLC ± - ANGLES ± 0° 30'		APPLICATION SPEC		108-40030				
MATERIAL		WEIGHT		SIZE		CAGE CODE	DRAWING NO	RESTRICTED TO
SEE CALL OUT		FINISH		A2		00779	C=1658647	-
		CUSTOMER DRAWING		SCALE		SHEET		REV
				2:1		1 of 1		A

1658647