

SPECIFICATION FOR APPROVAL

规格书

Customer (客户名称):

Customer P/N(客户编号):

Our P/N (本厂编号):

FS5353DS0450-H19.6-R01

Approval Date(日期):

2023.07.21

Environment Request(环境标准):

Non-RoHS (非 RoHS 标准)

RoHS (RoHS 标准)

REACH (REACH 标准)

Others (其他)

CUSTOMER'S APPROVED SIGNATURE

--	--	--



福声科技
FUSHENG TECHNOLOGY

泰州福声电子科技有限公司

Taizhou Fusheng Electronic Technology Co.,Ltd.

Adds: No.98 of FengHuang Road West,Hailing District ,Taizhou .

地址: 江苏省泰州市海陵区凤凰西路98号

Tel: +86-523-86219066

Fax: +86-523- 81601108

[Http://www.tzfsdz.com](http://www.tzfsdz.com)

E-mail: fs.wu@electronic-tech.cn

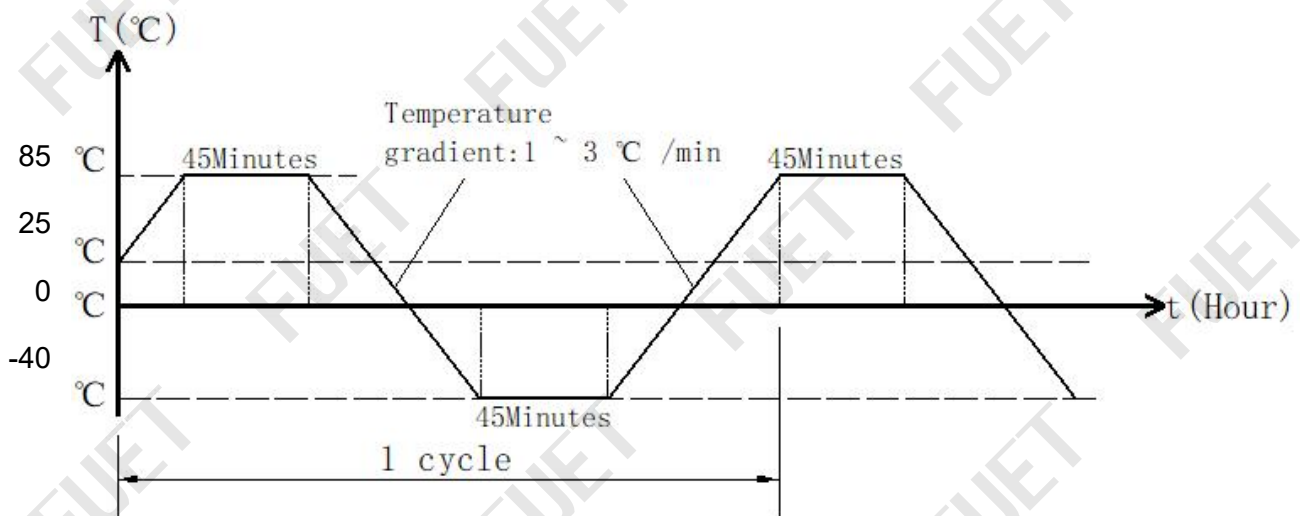
	DESINGER	CHECKED	APPROVED
SIGNATURE			
DATE			

Speaker Specification

Part No.	Customer No 客户型号		Customer code 客户编号	
	Our Part No 本厂编号	FS5353DS0450-H19.6-R01		Revision 版本 A
No.	Item 项目	Specification 规格	Testing Condition 测试条件	
1.	Rated Imp 共称阻抗	4 ohm±15%	At1V 2kHz	
2.	Resonance Freq 最低共振周波数	920Hz±20%	Without Baffle	
3.	Output S.P.L. 出力音压	93±3dB	At 0.1m 0.1w 0.8~10.0KHz Average	
4.	Rated Power 额定功率	at 5.0 W	at 4.48 Vrms	
5.	Max Power 最大功率	at 6.0 W	at 4.90 Vrms	
6.	Frequency Range 实效频宽	650~13.0kHz	Output S.P.L -10dB	
7.	Operation 可靠性试验	Must Be Normal at Rated Frequency Range	Program Source 5.0 W FO~10kHz	
8.	Buzzes & Rattles 异常音试验	Should not be audible buzz and rattle at Rated Frequency Range 无异常声	Sine Wave Between (正弦波入力) at 4.48Vrms / FO---- 10kHz	
9.	T H D 失真	10% Max	AT1W 0.1M Input 1000Hz	
10.	Magnet 磁铁	Nd Fe B		
11.	Operating Temperature 动作温度	-30°C to +55°C		
12.	Storage Temperature 储存温度	-40°C to +85°C		
13.	Waterproof Level 防水等级	IP68 全方位防水		
14.	Weight 重量	29.0 ±0.8 g/PC		

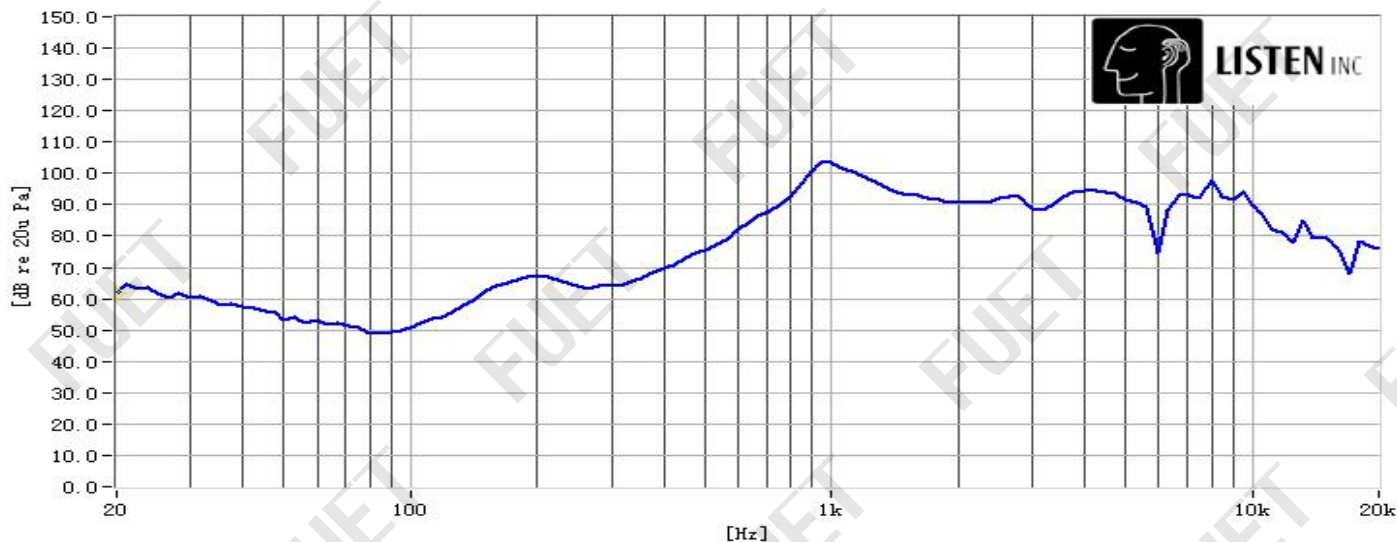
15.	Cold Test 耐寒试验	Must be normal after having been in a test chamber for 96 hours at the condition of $-40^{\circ}\text{C}\pm 2^{\circ}\text{C}$ and then left 2 hours in a room. ($-40^{\circ}\text{C}\pm 2^{\circ}\text{C}$, 96 小时试验室温两小时后, 无异常)
16.	Heat Test 耐热试验	Must be normal after having been in a test chamber for 96 hours at the condition of $+85^{\circ}\text{C}\pm 2^{\circ}\text{C}$ 90~95% R.H and then left 2 hours in a room. ($+85^{\circ}\text{C}\pm 2^{\circ}\text{C}$ 90~95% R.H 96 小时试验, 常温 2 小时后, 无异常的不良)
17.	Load Test 连续负荷试验	Must be normal after load test :white noise 5.0W 96 hours. At rated frequency range (白噪音 5.0W 连续 96 小时试验后无异常的不良)
18.	Short Term Max Power test 瞬间最大功率试验	Test for 1 hour under maximum power. Input shall be white noise in rated frequency response. And the signal will be 1 second on, 59 seconds off, total 60 cycles at rated frequency range, Must be normal after the test (白噪音 6.0W, 1 秒开 59 秒关, 连续 60 回合, 试验后无异常之不良)
19.	Polarity 极性	When a DC source 's "+" polarity is attached to speaker's "+" polarity, "-" polarity is attached speaker's "-" polarity, the membrane will move forward. Red wire is "+" and the black wire is "-". (红线为正极, 黑线为负极)
20.	Drop Test 跌落试验	Drop the speakers contained in normal box onto a board 5mm thick 6 times from a height of 1.0m . Must be normal after the test (在厚 5mm 的木板上从 1.0m 的高度跌落 6 次, 无异常不良)
21.	Waterproof Test 防水测试	"Submerged to a depth of 1.5 meters, no water ingress was observed inside the speaker after 48 hours." 沉入 1.5 米水底, 48 小时后喇叭内无进水现象。

Temperature Cycle Test(5 cycle)

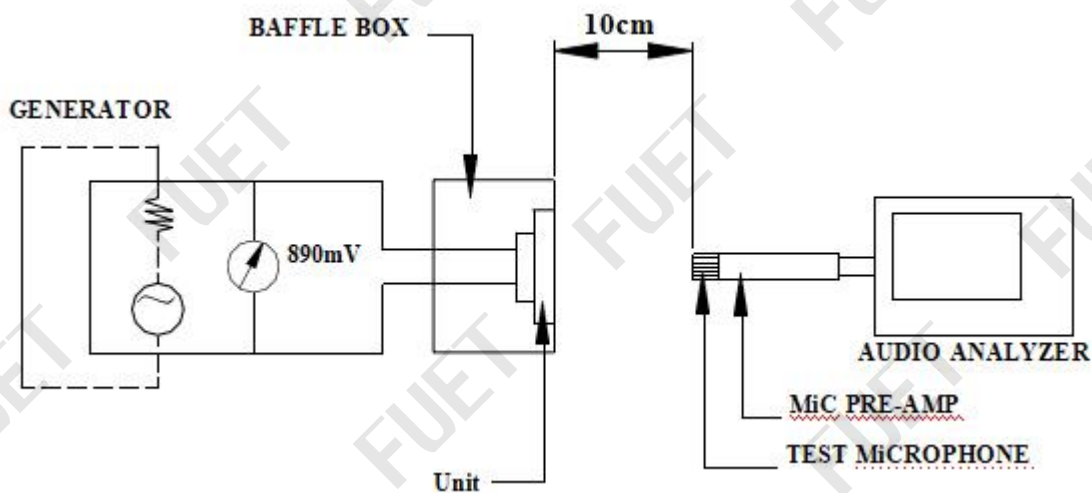
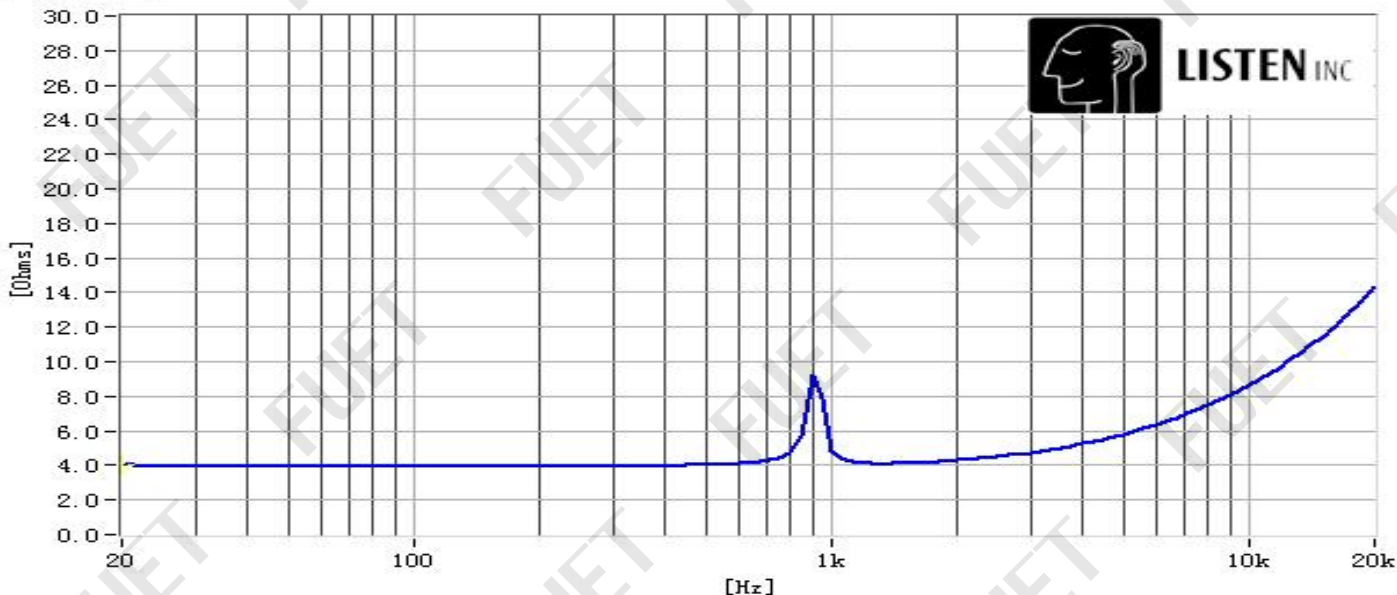


Frequency Response

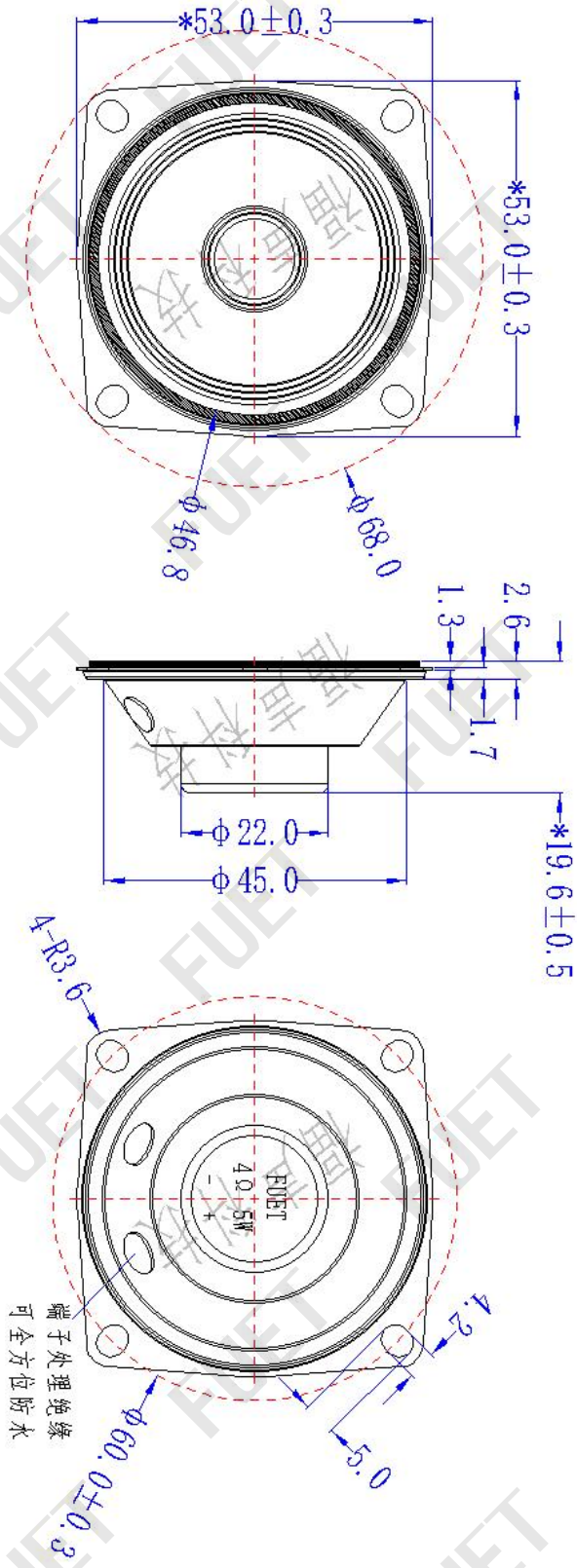
频响曲线



阻抗曲线



Product Outside View



- 注: 1. 标示“*”为重点检测尺寸;
 2. 未有说明, 则默认图示L0.050;
 3. 未注公差: $\pm 0.2\text{mm}$

泰州福声电子科技有限公司



Title: FSS353DS0450-H19.6-R01

SYM	REVISION	NAME	DATE	SCALE	1:1	QANTITY	NAME	ORAN	CHECK	DATE	INIT	DATE	版本	YO