



E28-2G4T12S User Manual

SX1281 2.4GHz TTL LoRa Module



Contents

Contents	1
1. Product Overview	2
1.1 Brief Introduction	2
1.2 Features	2
1.3 Application	2
2. Technical Parameters	3
2.1 Limit parameter	3
2.2 Operating parameter	3
3. Dimension and Pin Defintion	4
4. Recommended Connection Diagram	5
5. Functional Description	6
5.1. Fixed Transmission	6
5.2. Broadcast	6
5.3. Broadcast Address	7
5.4. Monitor Address	7
5.5. Module Reset	7
5.6. AUX Description	7
5.6.1 Indication of serial output	7
5.6.2 Indication of wireless transmission	7
5.6.3 Module in configuration process	7
6. Operation Modes	8
6.1. Mode Switch	8
6.2. Transmission Mode (Mode 0)	9
6.3. RSSI Mode (Mode 1)	9
6.4. Ranging Mode (Mode 2)	9
6.5. Sleep Mode (Mode 3)	9
7. Command Format	10
7.1. Default parameter values	10
7.2. Reading Operating Parameters	10
7.3. Reading Version Number	11
7.4. Reset Command	11
7.5. Parameter Configuration Commands	11
8. Hardware design	13
9. FAQ	14
9.1 Communication range is too short	14
9.2 Module is easy to damage	14
9.3 BER(Bit Error Rate) is high	14
10. Production Guidance	15
10.1 Reflow soldering temperature	15
10.2 Reflow soldering curve	15
11. Related products	16
12. Antenna Guidance	16
12.1 Antenna recommendation	16
12.2 Antenna selection	16
13. Package for batch order	17
Revision history	18
About us	18

1. Product Overview

1.1 Brief Introduction

E28-2G4T12S is an UART module based on SEMTECH SX1281, it adopts transparent transmission and works at 2.4GHz band. It adopts LoRa, FLRC and GFSK modulations. It features SMD packing with both IPX and PCB antenna interfaces, and its TTL output is 3.3V.

The LoRa direct sequence spread spectrum (DSSS) enables longer communication range and better anti-interference ability. The forward error correction (FEC) algorithm enables better coding efficiency and error correction ability. The module will proactively correct the interfered data packets when sudden interference occurs, which significantly improves the communication range and reliability.

The module features data encryption and compression. The data transmitted in air features randomness, the data encryption algorithm makes data interception meaningless, meanwhile, the data compression function could shorten the transmission duration and reduce the probability of data interference, thus improves the reliability and transmission efficiency.



1.2 Features

- Support various modulation such as GFSK Mode, FLRC Mode, LoRa Mode;
- Supporting high-speed continuous transmission, data without subcontracting;
- Support RSSI for evaluating signal quality;
- Support fixed transmission/broadcast/monitoring;
- Communication distance tested is up to 3km in ideal condition;;
- Maximum transmitting power of 12dBm, Software adjustable;
- Support the global license-free ISM 2.4GHz;
- Support air data rate of 1kbps ~ 2Mbps;
- Low power consumption for battery supplied applications;
- Support 2.3V~5.5V power supply, power supply over 5.5V can guarantee the best performance;
- Industrial grade standard design, support -40 ~ 85 °C for working over a long time;
- PCB and IPEX antenna optional, good for secondary and embedded development.

1.3 Application

- Smart Home and Industrial Sensors;
- Security system, location System
- Wireless remote control; UAV;
- Wireless Game Remote Controller
- Health care products;
- Wireless voice, wireless headset;
- Automotive industry applications.

2. Technical Parameters

2.1 Limit parameter

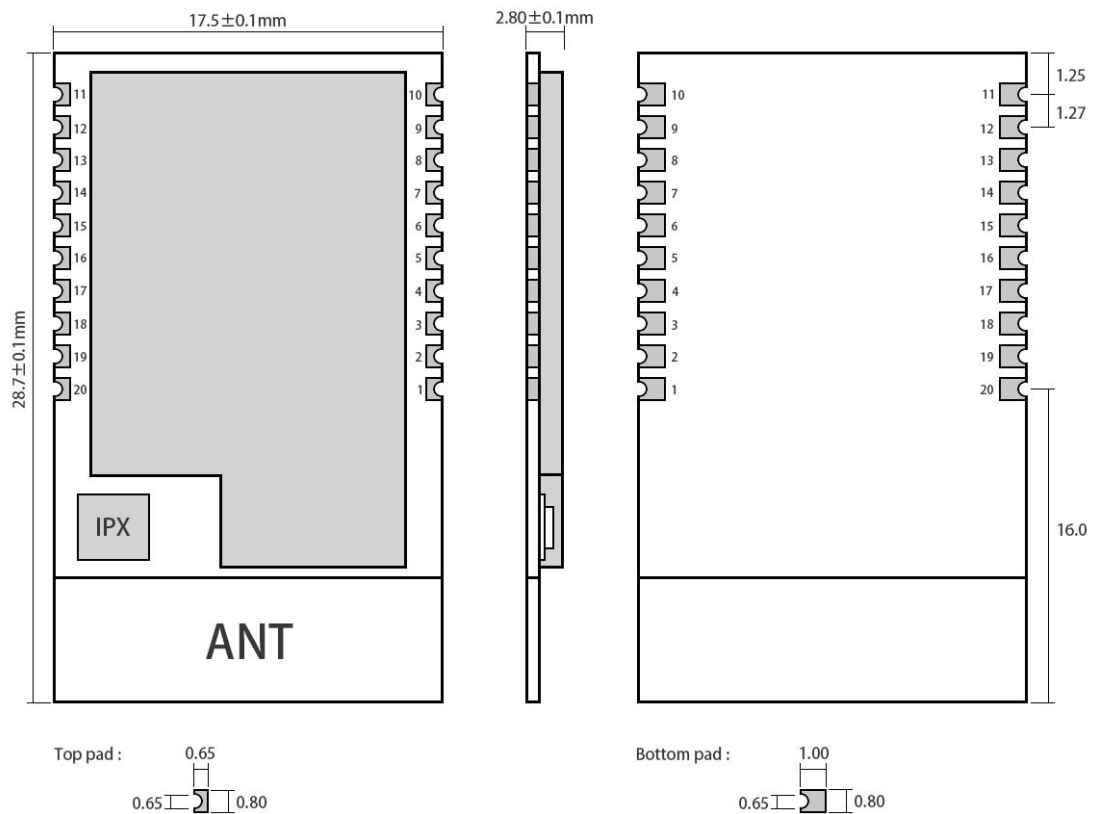
Main parameter	Performance		Note
	Min	Max	
Voltage supply [V]	0	5.5	Voltage over 5.5V will cause permanent damage to module
Blocking power [dBm]	-	10	Chances of burn is slim when modules are used in short distance
Operating temperature [°C]	-40	+85	-

2.2 Operating parameter

Main parameter	Performance			Note
	Min	Typ	Max	
Voltage supply [V]	2.3	5.0	5.5	≥5.0V ensures output power
Communication level [V]		3.3		For 5V TTL, it may be at risk of burning down
Operating temperature [°C]	-40	-	+85	-
Frequency [MHz]	2400	-	2500	ISM band
Power consumption	Transmitting current [mA]	46		Instant power consumption
	Receiving current [mA]		20	
	Turn-off current [μA]		8	Software is shut down
Transmitting power [dBm]	11.5	12.0	13.5	
Receiving sensitivity [dBm]	-130	-132	-134	Air data rate: 1.0kbps
Air data rate (bps)	1k	1k	2M	Defined by user via programming

Main parameter	Description	Note
Distance	3000m	Test condition: clear and open area, antenna gain: 5dBi, antenna height: 2.5m, air data rate: 1kbps
FIFO	121 Btye	Max. Transmitting length per packet
	221 Btye	Continuous transmission mode
Modulation	GFSK	
	LoRa	
	FLRC	
Interface	UART	TTL
Package	SMD	
Connector	1.27mm	
Size	17.5*28.7mm	
Antenna	IPEX/PCB	50Ω Impedance

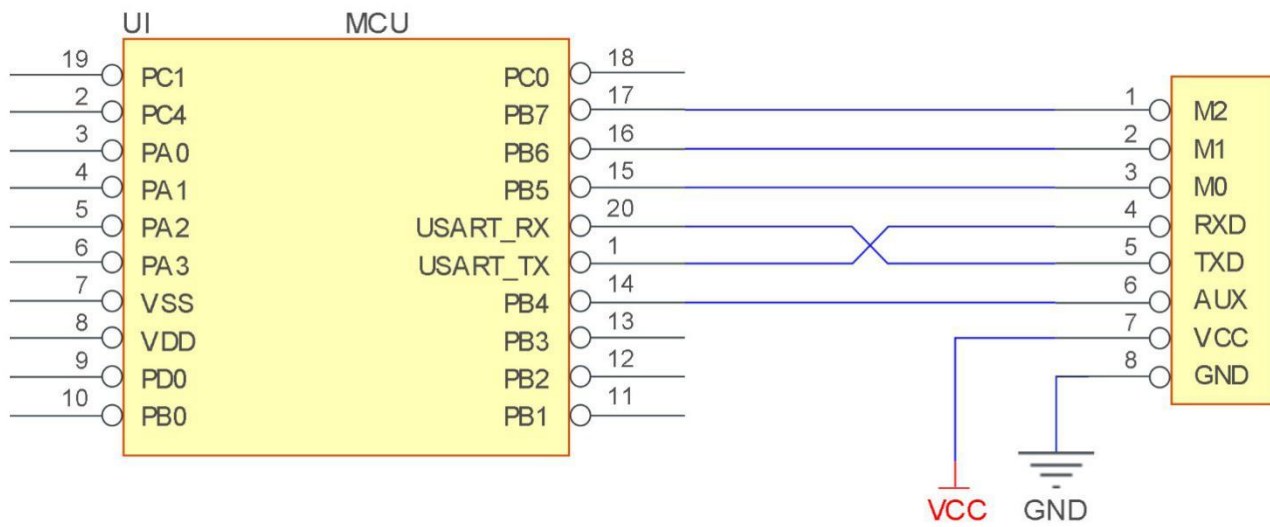
3. Dimension and Pin Defintion



Pad quantity : 20
Unit: mm

Pin No.	Pin Name	Pin Direction	Function
1	GND	Ground	Ground
2	NC		Disconnected
3	M0	Input	M2, M1 and M0 jointly decide the 8 operation modes. (cannot be floated, can be grounded if not used)
4	M1	Input	M2, M1 and M0 jointly decide the 8 operation modes. (cannot be floated, can be grounded if not used)
5	M2	Input	M2, M1 and M0 jointly decide the 8 operation modes. (cannot be floated, can be grounded if not used)
6	RXD	Input	TTL serial input, connected to external TXD output pin. Can be configured as open-drain or pull-up input, please refer to Parameter Configuration.
7	TXD	Output	TTL serial output, connected to external RXD input pin Can be configured open-drain or push-pull output, please refer to Parameter Configuration.
8	AUX	Output	Used to indicate the module operation status, when user wakes up the external MCU, it outputs low level during initialization after power on and self-check, can be configured as open-drain output or push-pull output, please refer to Parameter Configuration. (can be floated)
9	VCC		Module power source positive reference. Voltage range: 2.3 ~ 5.5V DC
10 ~ 11	GND	Ground	Ground
12 ~ 19	NC		Disconnected
20	GND	Ground	Ground

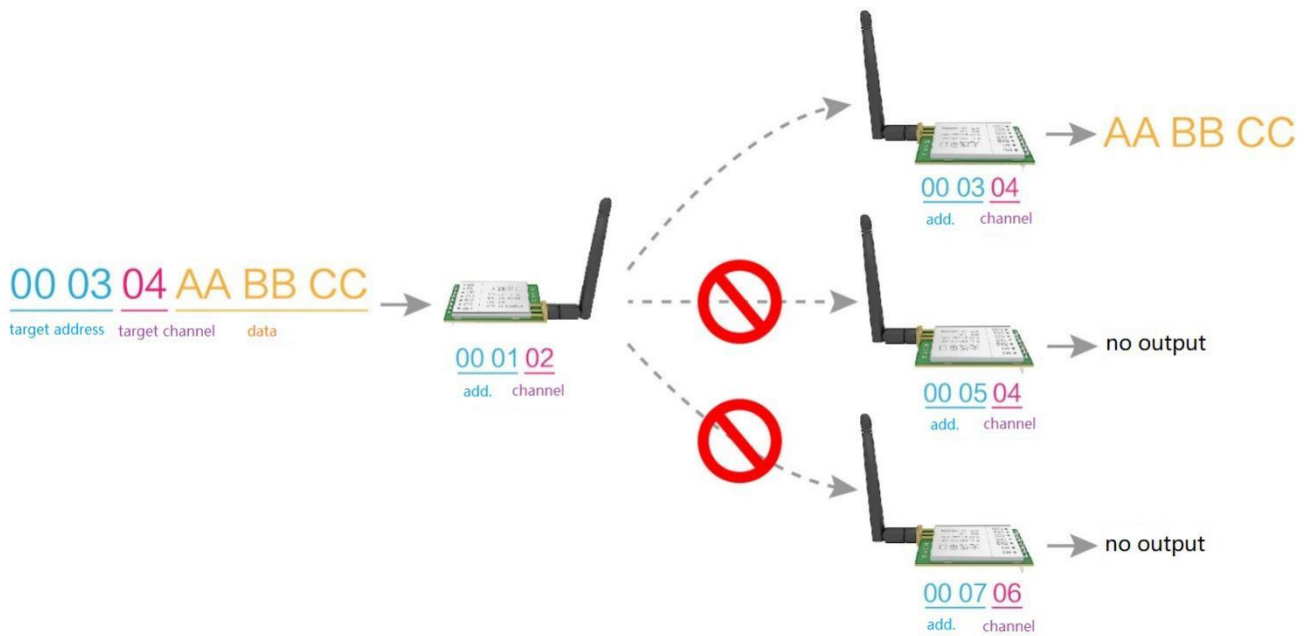
4. Recommended Connection Diagram



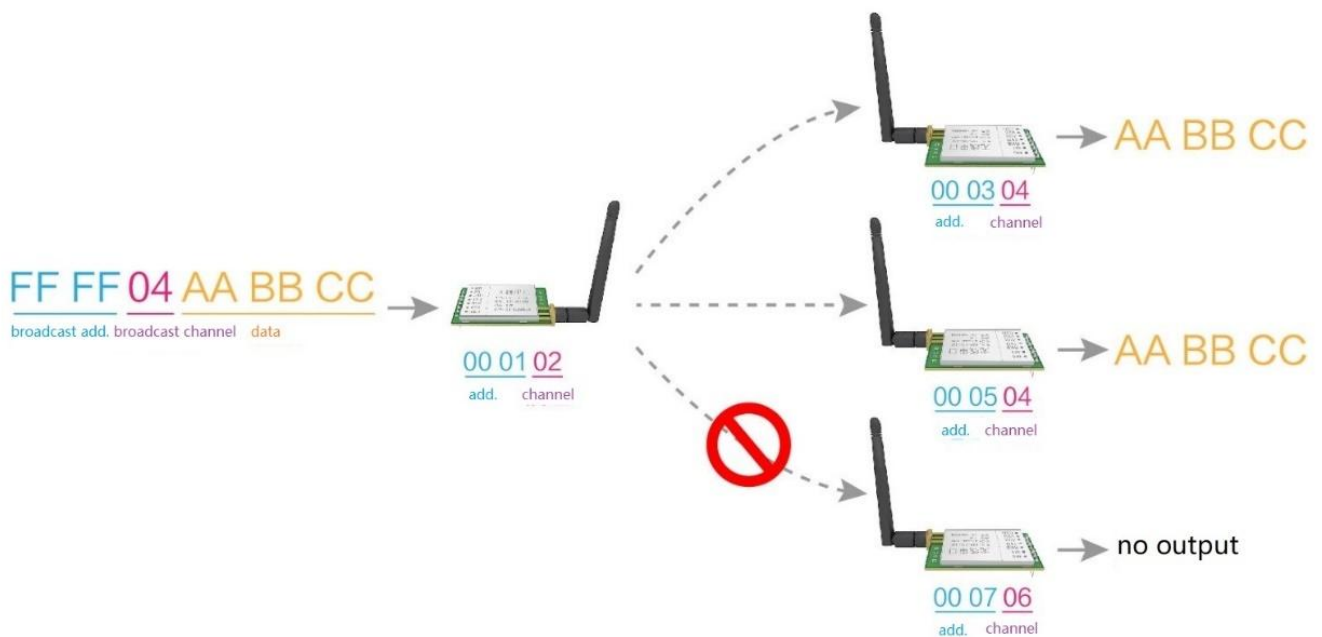
No.	Brief description for module-MCU connection (STM8L MCU as example)
1	The wireless UART module adopts TTL level, please connect to MCU with TTL level.
2	For some 5V MCU, 4~10K pull-up resistor may need to be added at the TXD and AUX pins of the module.

5. Functional Description

5.1. Fixed Transmission



5.2. Broadcast



5.3. Broadcast Address

- i.e.: set the address of module A as 0xFFFF or 0x0000 and channel as 0x04.
- When set A as transmitter (same mode, transparent transmission on), all modules with channel 0x04 will receive broadcast data.

5.4. Monitor Address

- i.e.: set the address of module A as 0xFFFF or 0x0000 and channel as 0x04.
- When set A as receiver, it will receive the data transmitted by modules with channel 0x04.

5.5. Module Reset

- When the module is powered on, the AUX output will go to a low level immediately, the module conducts hardware self-check and sets the operating mode on the basis of the user parameters (M0 M1). During the process, the AUX level remains low. After the process completed, the AUX outputs high a level and starts to work as per the operating mode indicated by the combined state of M1 and M0. The user needs to wait until the AUX rising edge is high, indicating the module is ready for normal work.

5.6. AUX Description

- AUX Pin can be used as indication for wireless send & receive buffer and self-check. It can indicate whether there is data that is yet to send via wireless or whether all wireless data has been sent through UART, or whether the module is still in the process of self-check initialization.

5.6.1 Indication of serial output

- Used to wake up the external MCU (note: AUX indicates no delay under continuous mode)



Timing sequence chart of AUX when RF receives data and send to MCU

5.6.2 Indication of wireless transmission

- Under sub-packet transmission mode, the internal buffer size is determined by the sub-packet size, if the packet length is 221 bytes, then the buffer size will be 2048 bytes, when AUX=1, user could continuously initiate transmitting of no more than 2048 bytes.
- Under continuous transmission mode, AUX=1 means the module is busy, but it is not applicable for waking up external MCU, because the data transmission is very quick under continuous transmission mode.
- AUX=1 means all serial data is transmitted through RF, and the module is at idle state.



Timing sequence chart of AUX when MCU receives serial data till MCU starts RF transmission

5.6.3 Module in configuration process

- Only occurs when resetting or when exiting sleep mode



Timing sequence chart of AUX when conducting self-check

6. Operation Modes

The module has 4 operation modes, which are determined accordingly by pins M0, M1. Please refer to below instructions:

Mode (0-3)	M2	M1	M0	Introduction	Remarks
0 - Transmission Mode	1	0	0	Serial port on, RF on, continuous transparent transmission	The air data rate can be manually configured and automatically adjusted along with baud rate values ; the baud rates on both sides must be the same under continuous transmission mode
1 - RSSI Mode	1	0	1	Serial port on, RF on, RSSI on	The module outputs RSSI value through serial port every 100ms
2 – Reserved Mode	1	1	0	Reserved	-
3 - Configuration Mode	1	1	1	Serial port on , RF off, parameter configuration	Baud rate is fixed as 9600 8N1
4 -Low power	0	x	x	lowest power consumption in low power mode	When M2 is set high, it is in normal working condition. when M2 is set low, it is in low power mode

6.1. Mode Switch

- User could determine the module operation mode through the combination of high-low level of M2, M1 and M0. Mode switch can be controlled through the GPIO of the MCU.
- When M2, M1 and M0 changed and the module is in idle state (AUX at high level), it can starts to work normally under new mode, if serial data not transmitted completely, it will enter new mode after all data is transmitted; if the module receives data and send out through serial port, the module will enter new mode after the data is transmitted completely; so mode switch will only be valid when AUX outputs 1, or switch will be delayed.
- i.e.: under mode 2 or mode 4, when user inputs large amount of data continuously and conducts mode switch, the mode switch is invalid; the module will conduct new mode check after all data is transmitted; so, users are recommended to check the AUX pin status and conduct mode switch 2ms later when AUX outputs high level.
- When the module enters configuration mode from other modes, it will enter sleep mode when all data is processed completely (both TX and RX). This feature can be used for quick sleep to save energy; i.e.: the transmitter works under mode 0 and the user send serial data“12345”, then the user does not need to wait till the AUX enters idle state (high level) and directly switches to sleep mode and put the user main MCU into sleep mode, the module will automatically enter sleep mode 1ms later when all data is processed so as to save the MCU working time and lower energy consumption.
- Similarly, this feature can be utilized for any mode switch, the module will enter new mode automatically within 1ms when current even is processed completely, which saves the user’s efforts in checking AUX status and enables quick mode switch; for example, when switching from transmitting mode to receiving mode, the user MCU could enter sleep mode before mode switch, mode switch can be made by acquiring AUX change with external interrupt function.
- This operation is very flexible and efficient, it is designed based on convenient MCU operation, and it could ease the operation load of the entire system and increase the operation efficiency and lower the energy consumption.

6.2. Transmission Mode (Mode 0)

Under this mode, transparent transmission is available, that means the data transmitted from the transmitter will be received by the receiver in the original format. Under normal mode, the two sides could communicate with each other normally based on same air data rate, address and channel; under continuous transmission mode, the baud rates on both sides must be the same, it supports large file continuous transmission under baud rate from 1200bps ~ 115200bps.

6.3. RSSI Mode (Mode 1)

Under this mode, the module will output current RSSI value of 2.4GHz signal every 100ms so as to check the channel quality, the value is in HEX compliment format.

6.4. Reserved Mode (Mode 2)

(Reserved)

6.5. Sleep Mode (Mode 3)

Under this mode, Baud rate is fixed as 9600 8N1

7. Command Format

Under configuration mode (Mode 3:M0=1, M1=1, M2 =1), the supported parameters are as below

(Only support 9600 and 8N1 format when setting)

No.	Command Format	Description
1	C0 + working parameters	C0 + 5 bytes working parameters are sent in hexadecimal format. 6 bytes in total and must be sent in succession. (Save the parameters when power-down)
2	C1+C1+C1	Three C1 are sent in hexadecimal format. The module returns the saved parameters and must be sent in succession.
3	C2 + working parameters	C2 + 5 bytes working parameters are sent in hexadecimal format. 6 bytes in total and must be sent in succession. (Do not save the parameters when power-down)
4	C3+C3+C3	Three C3 are sent in hexadecimal format. The module returns the version information and they must be sent in succession.
5	C4+C4+C4	Three C4 are sent in hexadecimal format. The module will reset one time and they must be sent in succession.
6	E2+E2+E2	Under transparent transmission mode, send three E2 in HEX format, the module will enter a 10s parameter configuration window period, user could configure the module parameters in the 10s with C0 command, 10s later, the module will work with the new parameters.
7	E3+E3+E3	Under transparent transmission mode, send three E3 in HEX format, the module will enter a 10s parameter configuration window period, user could configure the module parameters in the 10s with 6-byte C0 command, 10s later, the module will work with the new parameters.

7.1. Default parameter values

Model	Default parameter values:						
Model	Frequency	Address	Channel	Air data rate	Baud rate	Parity	Transmitting power
E28-2G4T12S	2.4GHz	0x0000	0x13	10kbps	9600	8N1	12dbm

7.2. Reading Operating Parameters

Command Format	Description
C1+C1+C1	Under configuration,(M0=1,M1=1, M2=1), send command (HEX format) to the serial: C1 C1 C1, the module will return current parameter values, i.e.: C0 00 00 13 18 04.

7.3. Reading Version Number

Command Format	Description
C3+C3+C3	In the configuration (M0=1,M1=1, M2=1), issue the command (HEX format) to the module serial port: C3 C3 C3, The module returns the current configuration parameters, for example: C3 00 47 10 0C 09 01 00; 00 28 indicates the module model (E28 series), 10 indicates the version number, 0C indicates the module power, and other parameters indicate other features of the module.

7.4. Reset Command

Command Format	Description
C4+C4+C4	UIn the configuration (M0=1, M1=1, M2=1) issue the command (HEX format) to the module serial port: C4 C4 C4, the module will generate a reset; During the reset process, the module performs self-check and AUX outputs low level. After the reset, AUX outputs high level and the module starts to work normally. At this point, you can switch modes or initiate the next instruction.

7.5. Parameter Configuration Commands

No.	Item	Description	Remarks			
0	HEAD	Fix 0xC0 or 0xC2, it means this frame data is control command	Must be 0xC0 or 0xC2 C0: Save the parameters when power-down C2: Do not save the parameters when power-down			
1	ADDH	High address byte of module (the default 00H)	00H-FFH			
2	ADDL	Low address byte of module (the default 00H)	00H-FFH			
3	SPED	7	6	UART parity bit	The serial modes can be different on two sides.	
		0	0	8N1 (default)		
		0	1	8O1		
		1	0	8E1		
		1	1	8N1 (equal to 00)		
		5	4	3	TTL UART baud rate (bps)	Under normal mode, the mode can be different; Under continuous transmission mode, the baud rate must be the same.
		0	0	0	1200	
		0	0	1	4800	
		0	1	0	9600 (default)	
		0	1	1	19200	
		1	0	0	57600	
		1	0	1	115200	
1	1	0	460800			

		1	1	1	921600	
		2	1	0	Air data rate (bps)	<p>Under non-continuous transmission mode, baud rate has nothing to do with RF parameters, and will not affect the transmission characteristics.</p> <p>Under continuous transmission mode, baud rate decides the air data rate. The high the baud rate, the faster the data transmission and the shorter communication range.</p> <p>The lower the air data rate, the longer the transmitting distance, the better anti-interference performance and the longer transmitting time.</p> <p>The air data rates on both sides must be the same.</p> <p>Note: In non-connected mode, when the air rate is 1 MB, the minimum number of bytes sent by the user must be greater than or equal to 2.</p>
		0	0	0	Self-adaptive (continuous transmission)	
		0	0	1	1k	
		0	1	0	5k	
		0	1	1	10k (default)	
		1	0	0	50k	
		1	0	1	100k	
		1	1	0	1M (FLRC)	
		1	1	1	2M (FSK)	

4	CHAN	Communication Channel				<p>Default: 0x18</p> <p>Note: In continuous transmission mode, only baud rates of 115200 and below are supported</p>
		Normal mode: When air data rate is 1k, 5k or 10k, the formula to calculate channel is: 2400 + CHAN * 1MHz; when air data rate is 50k or 100k, the formula to calculate channel is: 2400 + CHAN * 2MHz; when air data rate is 1M, the formula to calculate channel is: 2400 + CHAN * 3MHz; when air data rate is 2M, the formula to calculate channel is: 2400 + CHAN * 5MHz;				
		Continuous transmission mode: When baud rate is 1200, 9600 or 9200, the formula to calculate channel is: 2400 + CHAN *2MHz; when baud rate is 4800, 57600, 115200, the formula to calculate channel is: 2400 + CHAN *4MHz;				

5	OPTION	7	Fixed transmission enabling bit (similar to Modbus)			<p>Under fixed transmission mode, the first three bytes of each user's data frame can be used as high/low address and channel. The module changes its address and channel when transmit. And it will revert to original setting after complete the process.</p> <p>It is transparent transmission under continuous mode.</p>
		0	Transparent transmission mode			
		1	Fixed transmission mode			
		6	Reserved			
		5	Reserved			
		4	Reserved			
		3	LBT switch			<p>When LBT is turned on, channel quality will be checked before sending every data packet; if quality is good, data will be sent directly, if interference exists, data will be sent after interference disappears.</p> <p>It supports LBT only below air data rate 115200bps, LBT may affect the continuous transmission function.</p>
		0	Turn off LBT (default)			
		1	Turn on LBT			
		2	IO driving mode			<p>This bit is used to the module internal pull-up resistor. It also increases the level's adaptability in case of open drain. But in some cases, it may need external pull-up resistor.</p>
		1	TXD, AUX push-pull output, RXD pull-up input			
		0	TXD, AUX open-circuit output, RXD open-circuit input			
		1	0	Transmission power (approximated)		<p>The external power source must provide 100mA or above current output and ensure the power ripple is lower than 100mV.</p> <p>Low power transmission is not recommended due to its low power supply efficiency.</p>
		0	0	12dBm (defult)		
0	1	10dBm				
1	0	7dBm				
1	1	4dBm				

For example: The meaning of No.3 "SPED" byte:

The binary bit of the byte	7	6	5	4	3	2	1	0
Configures by user	0	0	0	1	0	0	1	1

Meaning	UART parity bit:8N1	UART baud rate:9600	Air data rate:10kbps
Corresponding hexadecimal	0		13

8. Hardware design

- It is recommended to use a DC stabilized power supply. The power supply ripple factor is as small as possible, and the module needs to be reliably grounded.;
- Please pay attention to the correct connection of the positive and negative poles of the power supply. Reverse connection may cause permanent damage to the module;
- Please check the power supply to ensure it is within the recommended voltage otherwise when it exceeds the maximum value the module will be permanently damaged;
- Please check the stability of the power supply, the voltage can not be fluctuated frequently;
- When designing the power supply circuit for the module, it is often recommended to reserve more than 30% of the margin, so the whole machine is beneficial for long-term stable operation;
- The module should be as far away as possible from the power supply, transformers, high-frequency wiring and other parts with large electromagnetic interference;
- High-frequency digital routing, high-frequency analog routing, and power routing must be avoided under the module. If it is necessary to pass through the module, assume that the module is soldered to the Top Layer, and the copper is spread on the Top Layer of the module contact part(well grounded), it must be close to the digital part of the module and routed in the Bottom Layer;
- Assuming the module is soldered or placed over the Top Layer, it is wrong to randomly route over the Bottom Layer or other layers, which will affect the module's spurs and receiving sensitivity to varying degrees;
- It is assumed that there are devices with large electromagnetic interference around the module that will greatly affect the performance. It is recommended to keep them away from the module according to the strength of the interference. If necessary, appropriate isolation and shielding can be done;
- Assume that there are traces with large electromagnetic interference (high-frequency digital, high-frequency analog, power traces) around the module that will greatly affect the performance of the module. It is recommended to stay away from the module according to the strength of the interference.If necessary, appropriate isolation and shielding can be done.
- If the communication line uses a 5V level, a 1k-5.1k resistor must be connected in series (not recommended, there is still a risk of damage);
- Try to stay away from some physical layers such as TTL protocol at 2.4GHz , for example: USB3.0;
- The mounting structure of antenna has a great influence on the performance of the module. It is necessary to ensure that the antenna is exposed, preferably vertically upward. When the module is mounted inside the case, use a good antenna extension cable to extend the antenna to the outside;
- The antenna must not be installed inside the metal case, which will cause the transmission distance to be greatly weakened.

9. FAQ

9.1 Communication range is too short

- The communication distance will be affected when obstacle exists.
- Data lose rate will be affected by temperature, humidity and co-channel interference.
- The ground will absorb and reflect wireless radio wave, so the performance will be poor when testing near ground.
- Sea water has great ability in absorbing wireless radio wave, so performance will be poor when testing near the sea.
- The signal will be affected when the antenna is near metal object or put in a metal case.
- Power register was set incorrectly, air data rate is set as too high (the higher the air data rate, the shorter the distance).
- The power supply low voltage under room temperature is lower than 2.5V, the lower the voltage, the lower the transmitting power.
- Due to antenna quality or poor matching between antenna and module.

9.2 Module is easy to damage

- Please check the power supply source, ensure it is 2.0V~3.6V, voltage higher than 3.6V will damage the module.
- Please check the stability of power source, the voltage cannot fluctuate too much.
- Please make sure antistatic measure are taken when installing and using, high frequency devices have electrostatic susceptibility.
- Please ensure the humidity is within limited range, some parts are sensitive to humidity.

9.3 BER(Bit Error Rate) is high

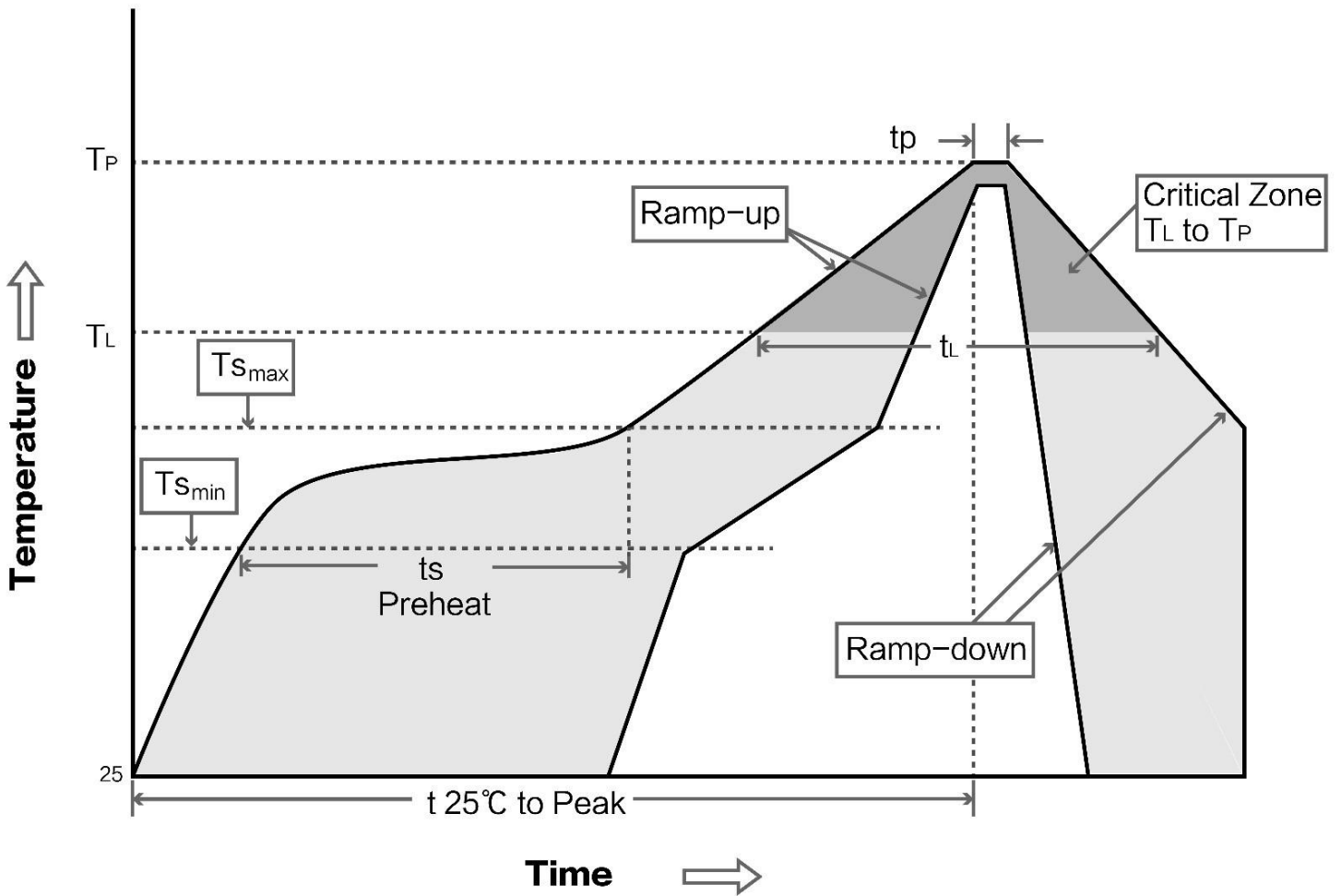
- There are co-channel signal interference nearby, please be away from interference sources or modify frequency and channel to avoid interference;
- Poor power supply may cause messy code. Make sure that the power supply is reliable.
- The extension line and feeder quality are poor or too long, so the bit error rate is high.

10. Production Guidance

10.1 Reflow soldering temperature

Profile Feature	Curve characteristics	Sn-Pb Assembly	Pb-Free Assembly
Solder Paste	Solder Paste	Sn63/Pb37	Sn96.5/Ag3/Cu0.5
Preheat Temperature min (T _{smin})	Min preheating temp.	100°C	150°C
Preheat temperature max (T _{smax})	Max preheating temp.	150°C	200°C
Preheat Time (T _{smin} to T _{smax})(t _s)	Preheating time	60-120 sec	60-120 sec
Average ramp-up rate(T _{smax} to T _p)	Average ramp-up rate	3°C/second max	3°C/second max
Liquidous Temperature (T _L)	Liquid phase temp.	183°C	217°C
Time (t _L) Maintained Above (T _L)	Time above liquid phase line	60-90 sec	30-90 sec
Peak temperature (T _p)	Peak temperature	220-235°C	230-250°C
Average ramp-down rate (T _p to T _{smax})	Average ramp-down rate	6°C/second max	6°C/second max

10.2 Reflow soldering curve



11. Related products

Type	IC	Frequency	Power	Distance	Size	Package	Interface
		Hz	dBm	km	mm		
E28-2G4T12S	SX1281	2.4G	12.5	3	17.5*28.7	SMD	TTL
E28-2G4M27S	SX1281	2.4G	27	8	15*26.5	SMD	SPI
E28-2G4M20S	SX1281	2.4G	20	6	15*26.5	SMD	SPI
E28-2G4M12S	SX1281	2.4G	12.5	3	25*14	SMD	SPI

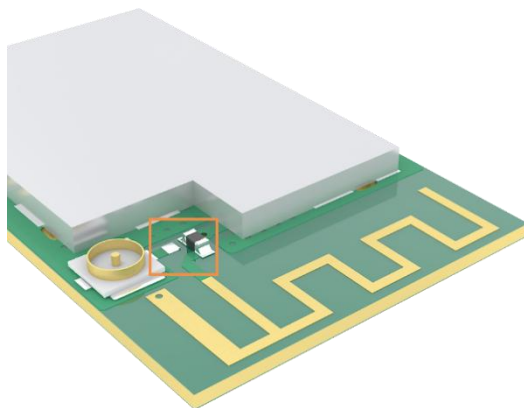
12. Antenna Guidance

12.1 Antenna recommendation

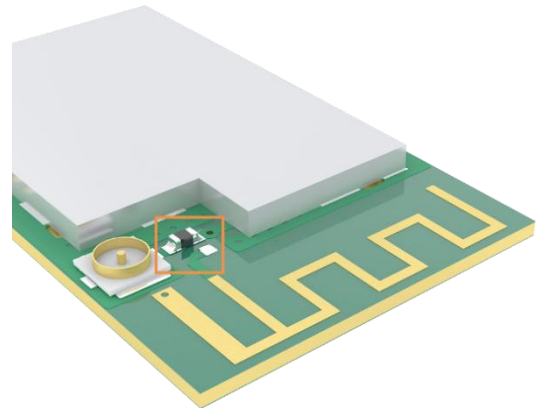
Antenna plays an important role in the communication process. Inferior antennas often have a great impact on the communication system. Therefore, we recommend some antennas that support our wireless modules and have excellent performance and reasonable price.

Model	Type	Frequency	Gain	Size	Feeder	Interface	Feature
		Hz	dBi	mm	cm		
TX2400-NP-5010	FPC	2.4G	2.0	10x50	-	IPEX	FPC antenna
TX2400-JZ-3	Rubber	2.4G	2.0	30	-	SMA-J	Straight antenna, ultra short
TX2400-JZ-5	Rubber	2.4G	2.0	50	-	SMA-J	Straight antenna, ultra short
TX2400-JW-5	Rubber	2.4G	2.0	50	-	SMA-J	Fixed bending antenna
TX2400-JK-11	Rubber	2.4G	2.5	110	-	SMA-J	Flexible antenna, omnidirectional
TX2400-JK-20	Rubber	2.4G	3.0	200	-	SMA-J	Flexible antenna, omnidirectional
TX2400-XPL-150	Sucker	2.4G	3.5	150	150	SMA-J	Small sucker antenna, high gain

12.2 Antenna selection

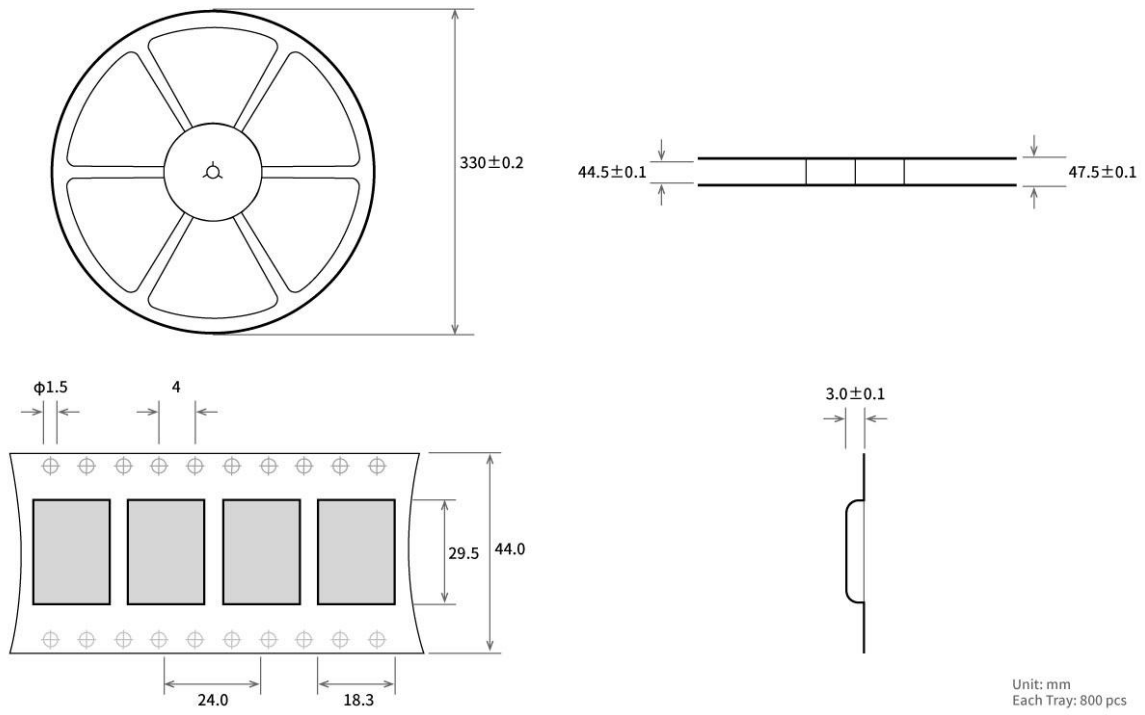


PCB (Default)



IPEX

13. Package for batch order



Revision history

Version	Date	Description	Operator
1.0	2018-01-08	Initial Version	huaa
1.1	2018-04-16	Content added	huaa
1.2	2018-05-24	Content added	Huaa
1.3	2018-07-20	Name updated	Huaa
1.4	2019-3-12	Content added	Ray
1.5	2020-05-11	Parameter correction	du
1.6	2022-10-27	Bug fixes	Yan
1.7	2023-12-7	Bug fixes	Hao
2.0	2024-4-18	The ranging function has been changed to reserved mode	Hao

About us

Technical support: support@cdebyte.com

Documents and RF Setting download link: <https://www.cdebyte.com>

Thank you for using Ebyte products! Please contact us with any questions or suggestions: info@cdebyte.com

Address: B5 Mould Industrial Park, 199# Xiqu Ave, High tech Zone, Chengdu, Sichuan, China

