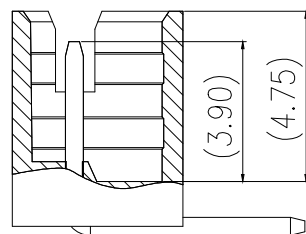
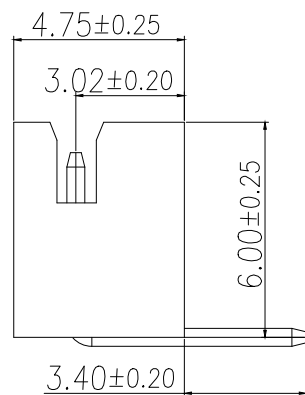
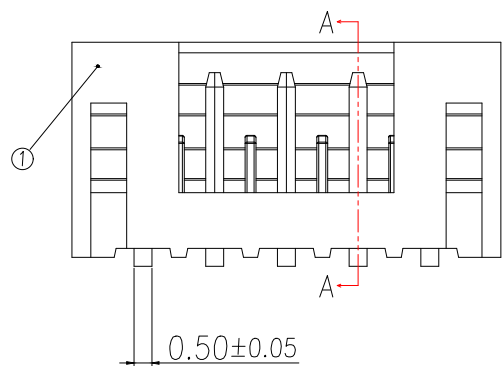


适用线路板(PCB LAYOUT)



SECTION A-A

Technical Index:

1. Temperature range:  $-25^{\circ}\text{C}\sim 85^{\circ}\text{C}$ .
2. Rated voltage: 200V DC/AC(rms).
3. Rated current: 2.0A.
4. Contact resistance:  $\leq 25\text{m}\Omega$ .
5. Withstanding voltage: 500V AC/minute.
6. Insulation resistance:  $\geq 1000\text{M}\Omega$ .

Part No	Pin	A	B
BX-PH2.0-2PWZ-Y	2	2.00	6.00
BX-PH2.0-3PWZ-Y	3	4.00	8.00
BX-PH2.0-4PWZ-Y	4	6.00	10.00
BX-PH2.0-5PWZ-Y	5	8.00	12.00
BX-PH2.0-6PWZ-Y	6	10.00	14.00
BX-PH2.0-7PWZ-Y	7	12.00	16.00
BX-PH2.0-8PWZ-Y	8	14.00	18.00
BX-PH2.0-9PWZ-Y	9	16.00	20.00
BX-PH2.0-10PWZ-Y	10	18.00	22.00
BX-PH2.0-11PWZ-Y	11	20.00	24.00
BX-PH2.0-12PWZ-Y	12	22.00	26.00
BX-PH2.0-13PWZ-Y	13	24.00	28.00
BX-PH2.0-14PWZ-Y	14	26.00	30.00
BX-PH2.0-15PWZ-Y	15	28.00	32.00
BX-PH2.0-16PWZ-Y	16	30.00	34.00
BX-PH2.0-17PWZ-Y	17	32.00	36.00
BX-PH2.0-18PWZ-Y	18	34.00	38.00
BX-PH2.0-19PWZ-Y	19	36.00	40.00
BX-PH2.0-20PWZ-Y	20	38.00	42.00

序号	品名	材质	制图 DRAWN	变更内容 DESCRIPTION	日期 DATE	GENERAL TOLERANCE		制图 DRAWING	EMMA	料号 PART NO.	BX-PH2.0-NPWZ-Y	版本 REV.	A
						X.±0.50	X'.:±5°						
1	PH2.0 直针 胶芯	PA66 UL94V-2 Yellow				.X±0.20	X.X':±3°	核准 APPROVAL	JADE	客户料号 CUTM.NO.			
2	PH2.0 弯针 端子	Copper Alloy/ Tin Plating				.XX±0.10	X.XX':±1°	单位 UNITS	MM	比例 SCALE	1:1		