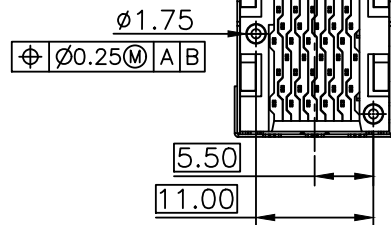
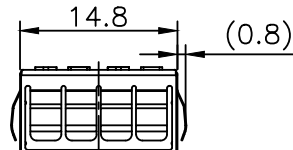
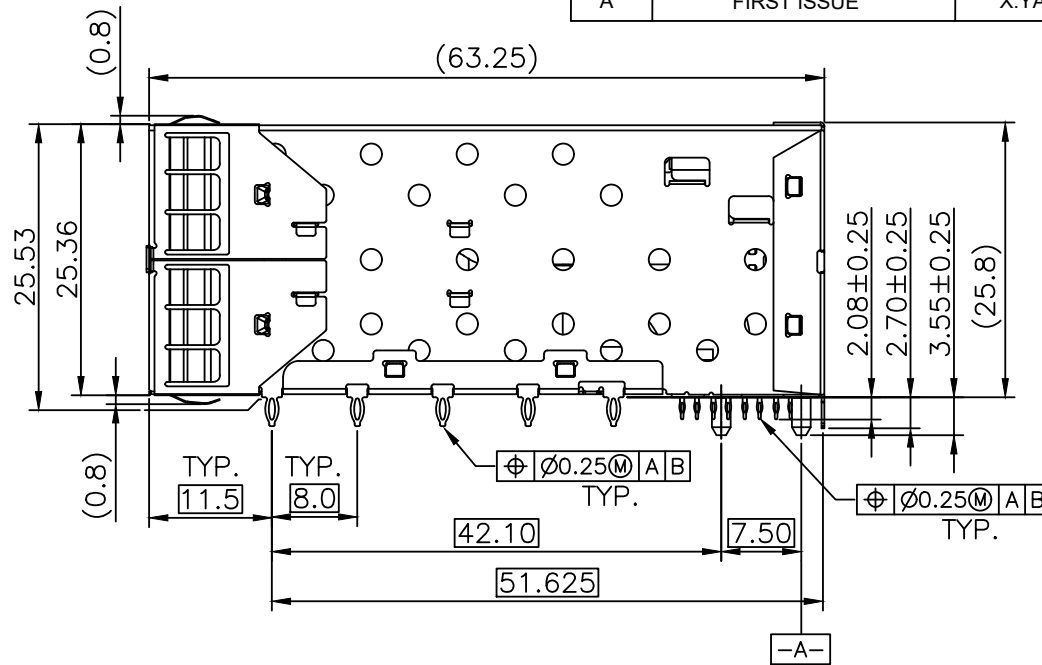
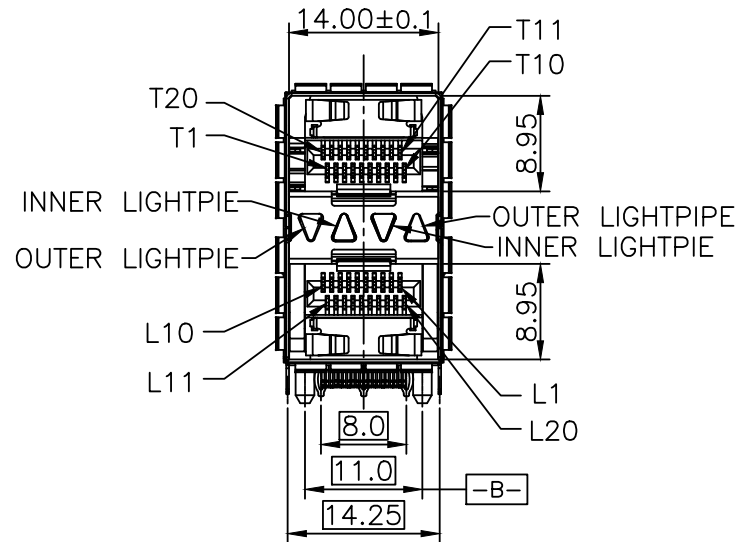


REV	DESCRIPTION OF CHANGE	REVIEWED BY	ISSUE DATE
A	FIRST ISSUE	X.YAN	2021-08-01



NOTES:

MATERIAL:

CAGE: COPPER ALLOY 30u" MIN NI-PLATED, THICKNESS 0.25 MM

CONNECTOR:

PLASTIC HOUSING: HIGH TEMPERATURE LCP, UL94 V-0.

LIGHT PIPE: POLYCARBONATE; COLOR: CLEAR

SPRING: STAINLESS STEEL, THICKNESS 0.20mm

CONTACTS: PHOSPHOR BRONZE, THICKNESS 0.20mm

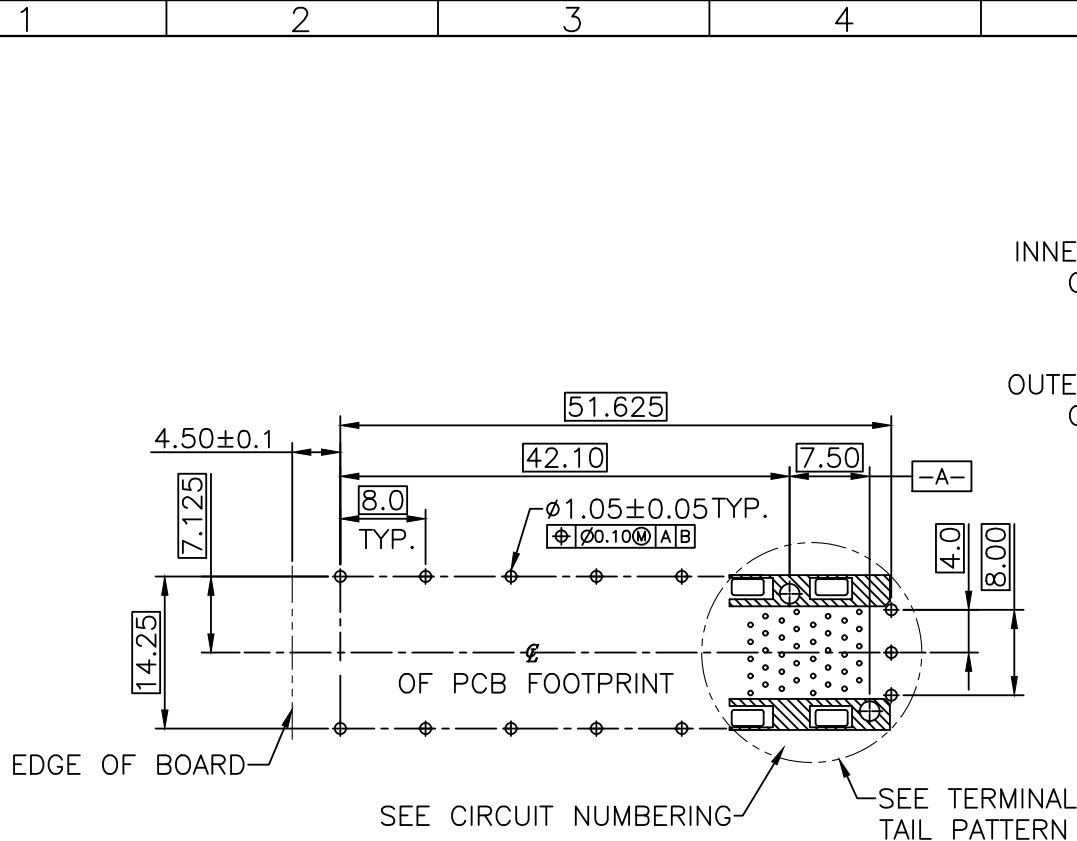
PLATING: 15μ" MIN. GOLD ON MATING AREA,
150μ" MIN. MATE TIN ON SOLDER TAILS.

PACKAGING: TRAY PACKAGING.

TEMPERATURE RANGE: -40°C TO +85°C

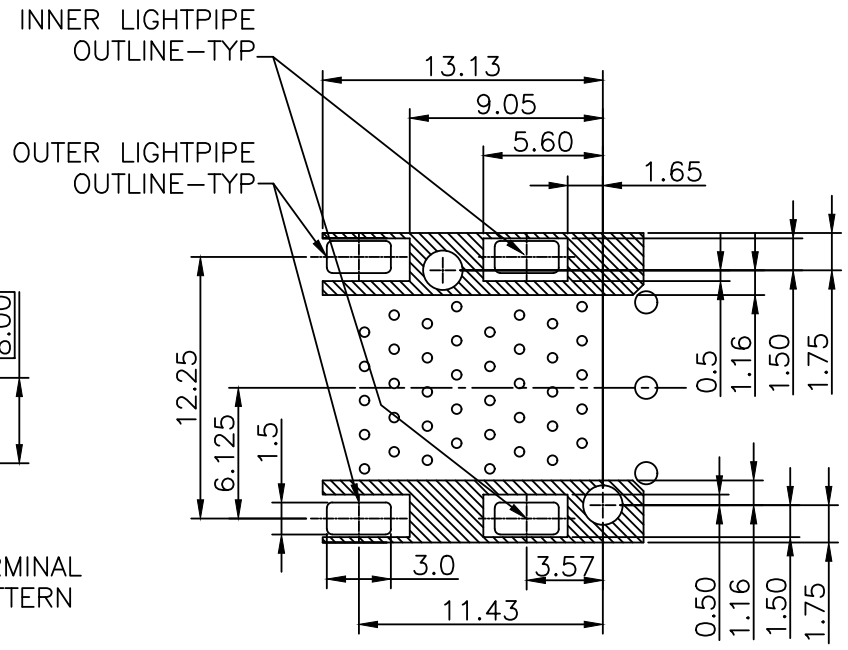
STORAGE TEMPERATURE: -55°C TO +105°C

TITLE			CND-tek 深圳磁联达电子有限公司 Shen zhen cnd-tek Electronics Co., Ltd				
SFP+ 2X1 CAGE+CONNECTOR			PART NO. SFP 2007492 2x1Y+		GENERAL TOLERANCE	UNIT:MM	SIZE: A4
APPROVE	CHECK	DRAW	.X±0.20	.X±1*	SCALE: 1:1	SHEET:1/4	REV:A
QG.CHEN	SL.WANG	X.YAN	.XX±0.15	.XX±5*			
			.XXX±0.10				



RECOMMENDED PCB LAYOUT - COMPONENT SIDE
 RECOMMENDED PCB THICKNESS : 2.36MM(.093 INCH)

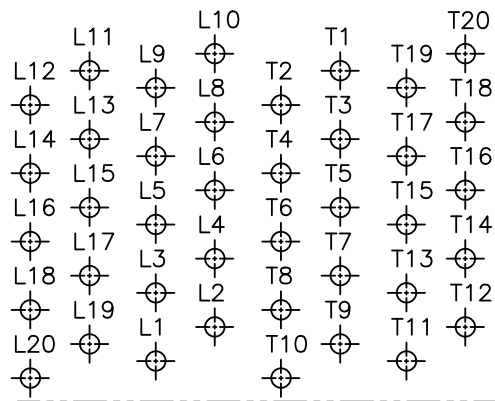
THE ENTIRE AREA OF THE CONNECTOR FOOTPRINT
 TO BE CONSIDERED THE KEEP OUT AREA FOR COMPONENTS
 (OTHER THAN LIGHT PIPE LED'S)
 THIS AREA IS INDICATED BY THE DASHED LINE



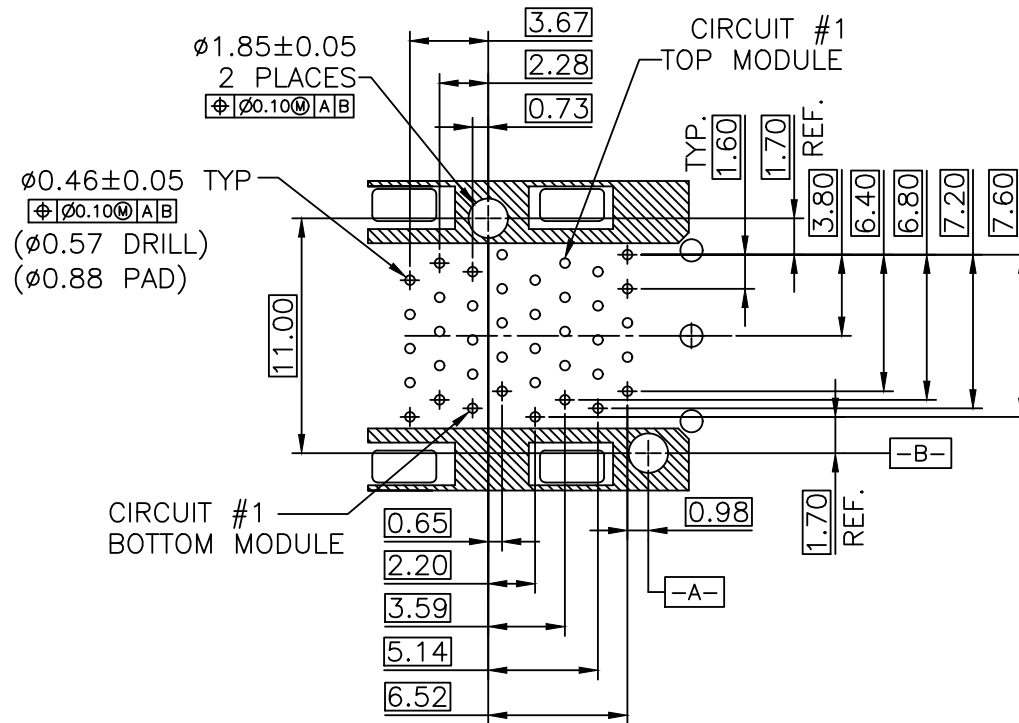
DETAIL-KEEPOUT ZONES
 SCALE 2:1

THE HATCHED AREA IN THIS VIEW INDICATES ZONES
 THAT ARE OCCUPIED BY THE PLASTIC HOUSING THAT
 SEATS AGAINST THE PCB AND BY THE VERTICAL METAL
 CAGE WALL THAT STOPS JUST SHORT OF THE PCB

TITLE SFP+ 2X1 CAGE+CONNECTOR			CND-tek 深圳磁联达电子有限公司 Shen zhen cnd-tek Electronics Co., Ltd			
PART NO. SFP 2007492 2x1Y+			GENERAL TOLERANCE		UNIT:MM	SIZE: A4
APPROVE	CHECK	DRAW	.X±0.20	.X±1°	SCALE: 1:1	SHEET:2/4
QG.CHEN	SL.WANG	X.YAN	.XX±0.15	.XX±5°		
			.XXX±0.10			

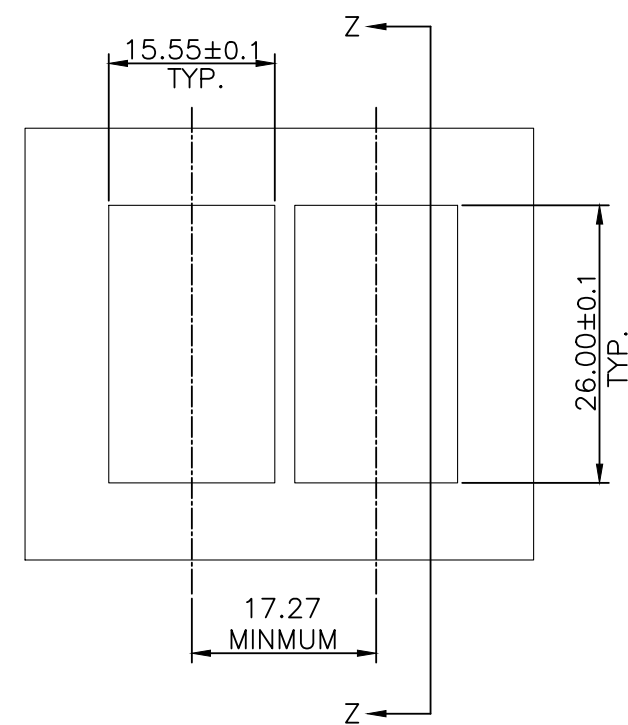


CIRCUIT NUMBERING
COMPONENT SIDE OF BOARD
SCALE 4:1

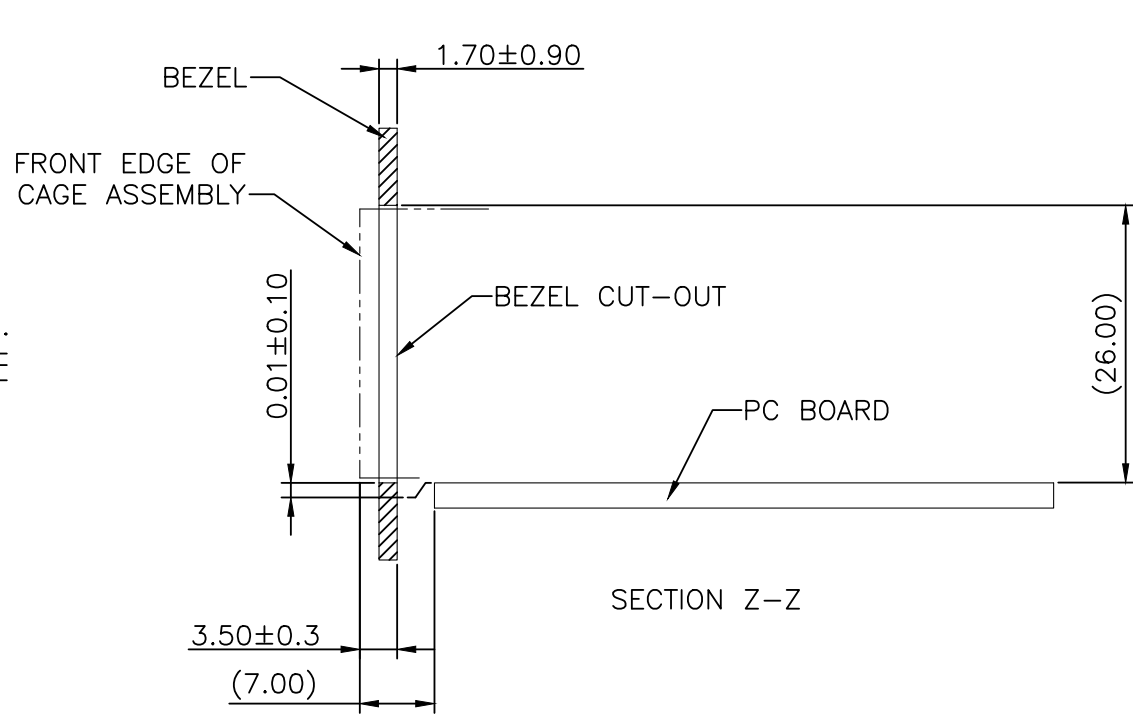


TERMINAL TAIL PATTERN
SCALE 2:1

TITLE SFP+ 2X1 CAGE+CONNECTOR			CND-tek 深圳磁联达电子有限公司 Shen zhen cnd-tek Electronics Co., Ltd			
PART NO. SFP 2007492 2x1Y+			GENERAL TOLERANCE		UNIT:MM	SIZE: A4
APPROVE	CHECK	DRAW	.X±0.20	.X±1*	SCALE: 1:1	SHEET:3/4
QG.CHEN	SL.WANG	X.YAN	.XX±0.15	.XX±5*		
			.XXX±0.10			



BEZEL CUT-OUT CENTER SPACING DETAIL



TITLE SFP+ 2X1 CAGE+CONNECTOR			CND-tek 深圳磁联达电子有限公司 Shen zhen cnd-tek Electronics Co., Ltd			
PART NO. SFP 2007492 2x1Y+			GENERAL TOLERANCE		UNIT:MM	SIZE: A4
APPROVE	CHECK	DRAW	.X±0.20	.X±1°	SCALE: 1:1	SHEET:4/4
Q.G.CHEN	SL.WANG	X.YAN	.XX±0.15	.XX±5°		
			.XXX±0.10			