



REV.	ECN NO.	REVISED	DATE
A/1	EN20231229001	LQ.HUAGN	2023-12-29

NOTE:

1.MATERIAL:

a.HOUSING:PA46 UL94 V-0 BLACK

b.CONTACT:

b1.TERMINAL+: Mn STEEL

b2.TERMINAL-: C3604 COPPER ALLOY
(SURFACE PLATING: Ni100U"~120U")

SEE ORDERING INFORMATION

2.ELECTRIC:

a.CONTACT RESISTANCE: 100 MILLIOHMS MAX

b.INSULATION RESISTANCE: 100 MEGA OHMS MIN

c.DIELECTNIC VOLTAGE: 500V AC ONE MINUTE

d.OPERATING TEMPERATURE: -25°C~ +85°C

ORDERING INFORMATION

BS-12-A6AJ019

电池座系列

BS-12系列

DIP 90° TYPE

PLATING:

A-Au1U"

A1-Au1.3U"

A2-Au for salt test 72H

A3-Au5U"

A4-Au for salt test48H

J-Ni100U"~120U"

K-Sn100U"~120U"

K2-Sn60U"~120U" 高温锡

MATERIAL:

1A-PBT BLACK

1B-PA66 BLACK

2A-PPA BROWN

2B-PPA BLACK

2C-PPA WHITE

2D-PPA ADJUSTED COLOR

3A-PPS BROWN

3B-PPS BLACK

3C-PPS ADJUSTED COLOR

4A-LCP WHITE

4B-LCP BLACK

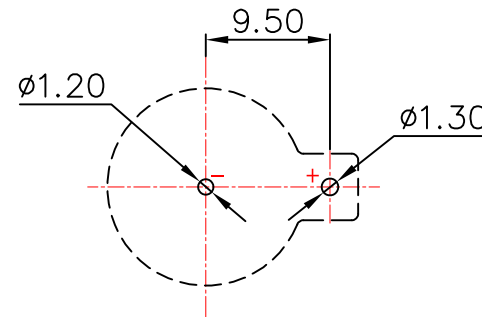
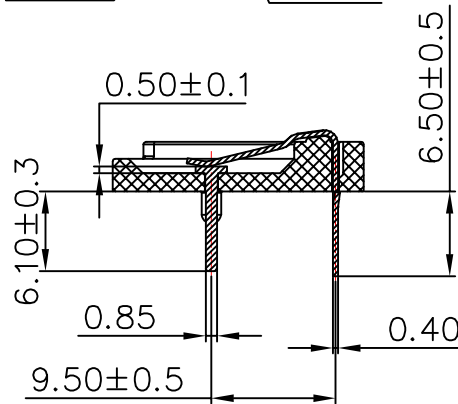
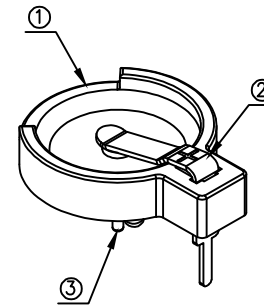
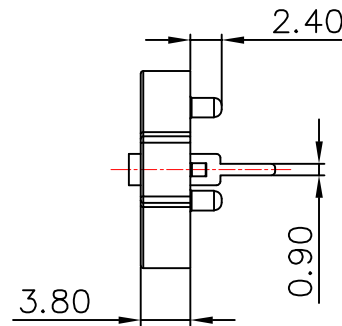
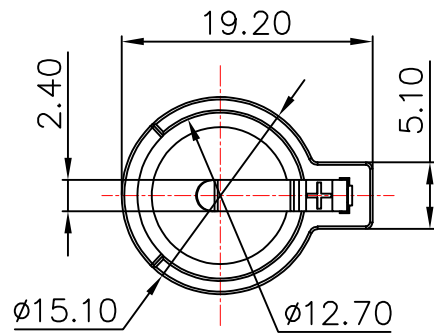
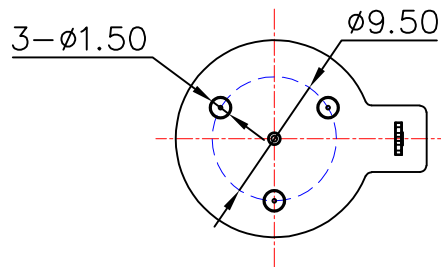
5A-PA9T BLACK

6A-PA46 BLACK

工程部

2024-02-21

LQ. HUANG

PCB Layout Diagram
Bottom View

③	TERMINAL(-)	1	Copper Ally C3604	Ni-Plating
②	TERMINAL(+)	1	Mn Steel T=0.40mm	Ni-Plating
①	HOUSING	1	PA46 UL94 V-0	BLACK
NO.	PART NAME	Q'TY	MATERIAL	PLATING & COLOR

UNLESS OTHERWISE
SPECIFIED TOLERANCESDECIMALS: ANGLES:
X :±0.30 X :±1°
X.X :±0.25 X.X :±0.5°
X.XX :±0.20
X.XXX :±0.10

MYOUNG 美用 www.meiyangdz.com

DSND	Huanglieqing	DATE	2024-02-21
CHKD	ZhouRuicai	DATE	2024-02-21
APVD	XueShunyong	DATE	2024-02-21
WEIGHT:	SCALE:	SIZE: A4	VIEW:
SHEET 1 OF 1	UNIT: mm	REV.: A/1	OBJECT: MY

TITLE:

BS-1220-1 Ni DIP PA46

PART NO.:

BS-12-A6AJ019

DRAW NO.:MY-CP-0393