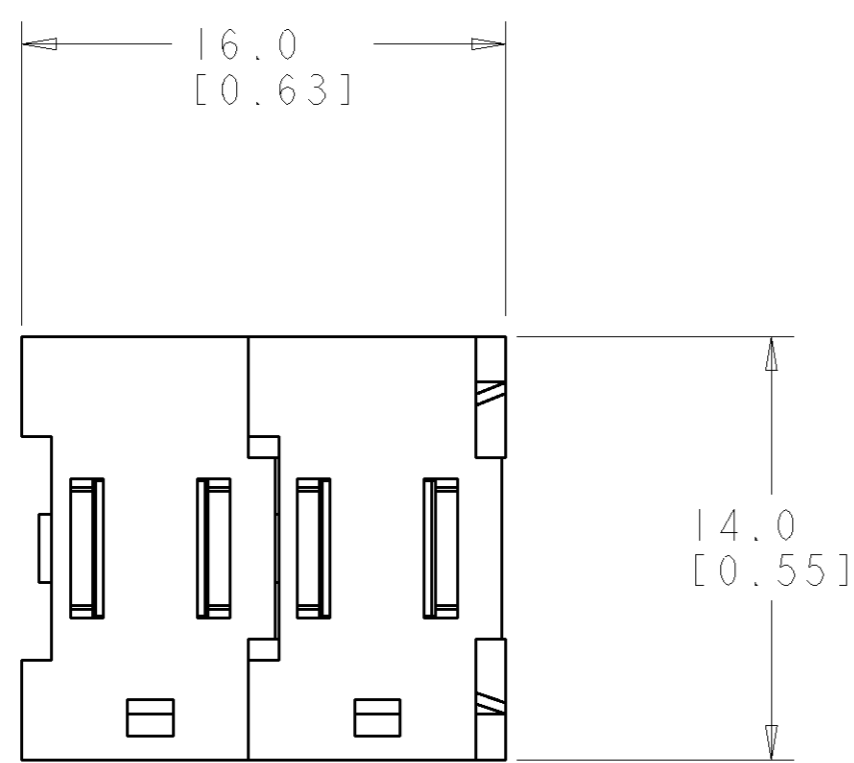


THIS DRAWING IS UNPUBLISHED. RELEASED FOR PUBLICATION 20  
 © COPYRIGHT 20 BY TYCO ELECTRONICS CORPORATION. ALL RIGHTS RESERVED.

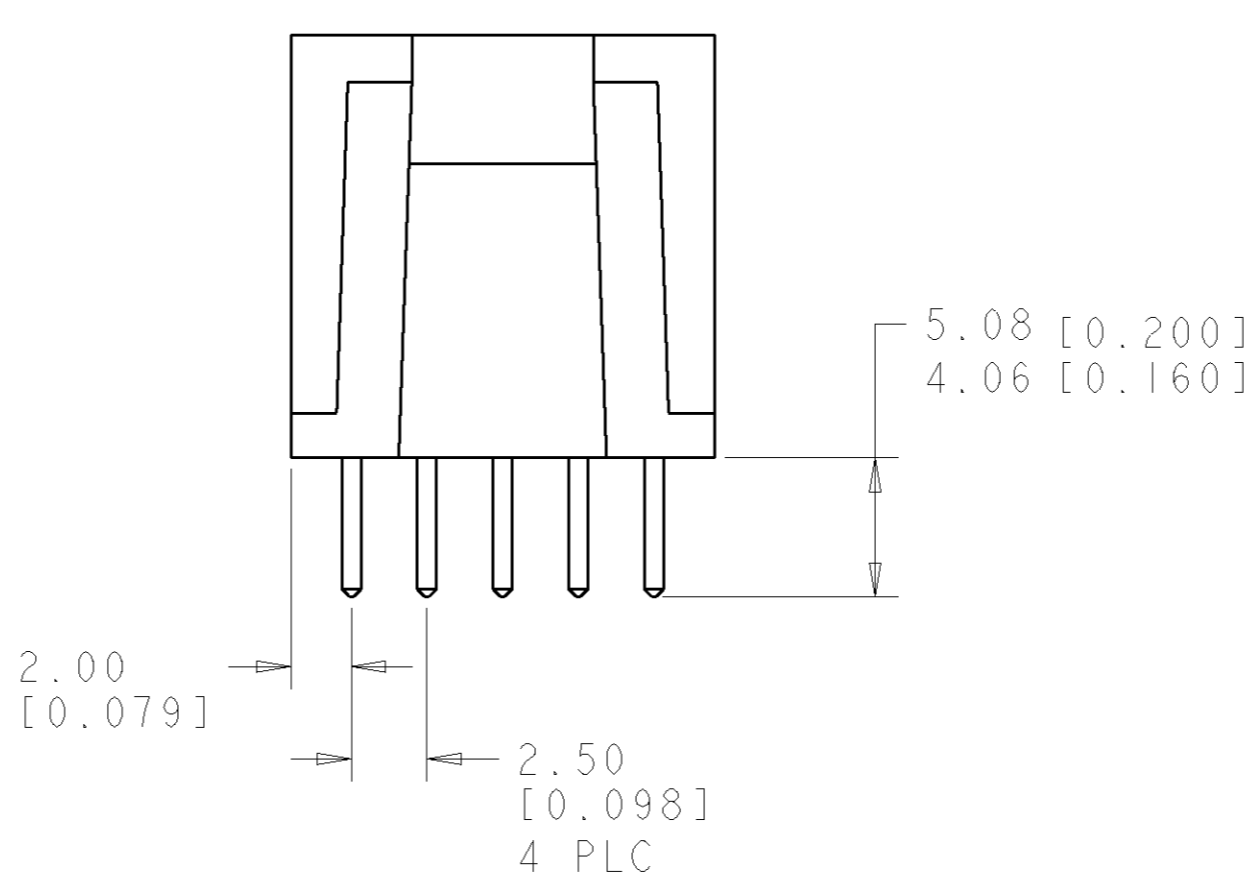
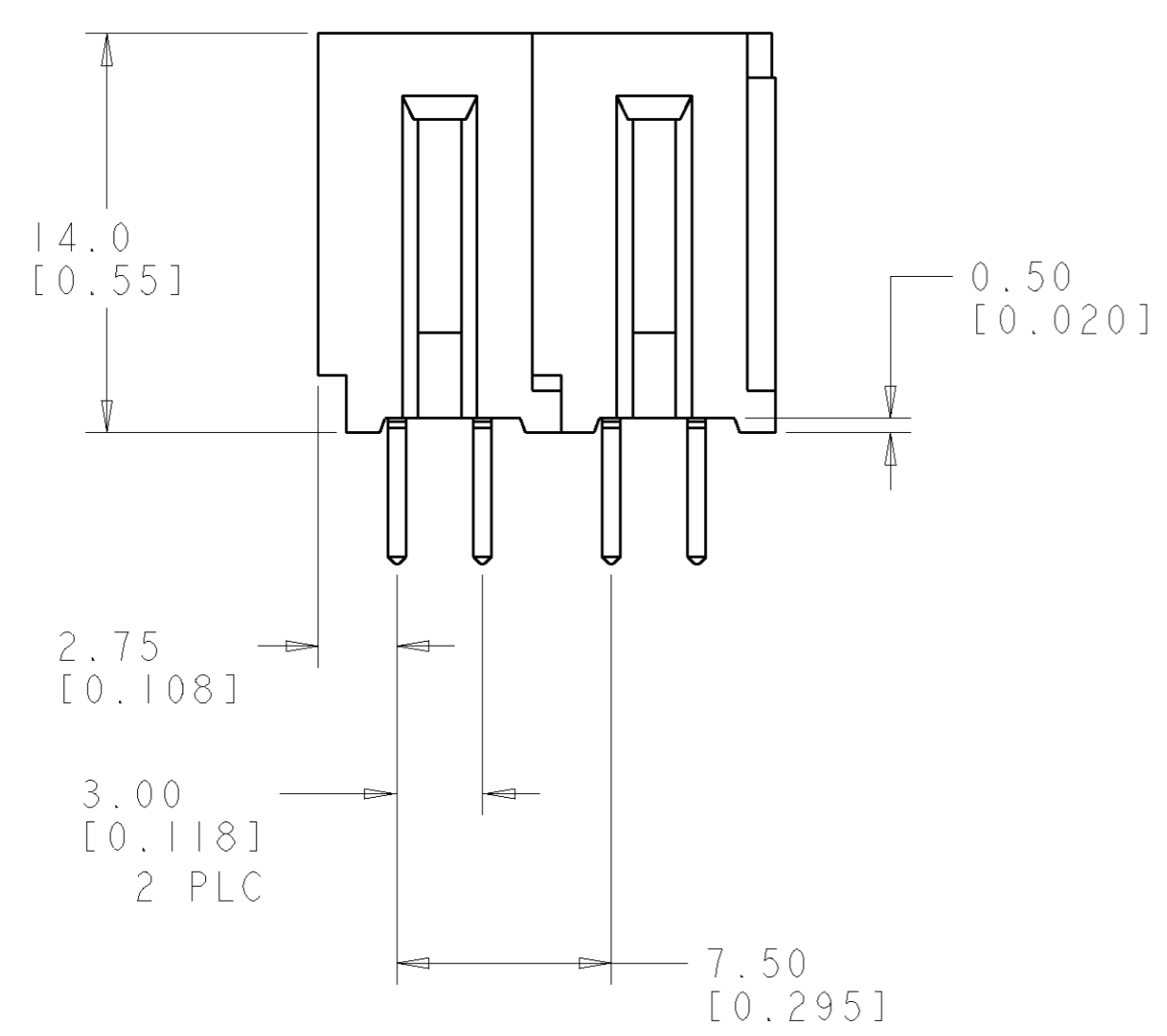
LOC	DIST	REVISIONS					
GP	00	P	LTR	DESCRIPTION	DATE	DWN	APVD
			A	RELEASED	04OCT06	RG	SF



- PART NUMBER CHANGES AND OR DESIGN CHANGES AFFECTING ITEM INTERCHANGEABILITY REQUIRE PRIOR TYCO APPROVAL AND AUTHORIZATION BY REVISION TO THIS DRAWING.
- MATERIAL:  
 INSULATORS - THERMOPLASTIC, GLASS REINFORCED, COLOR: BLACK  
 UL94V-0 FLAMMABILITY RATED.  
 CROWN BANDS - PHOSPHOR BRONZE ALLOY,  
 COPPER ALLOY
- FINISH:  
 CONTACTS - GOLD PLATE .000030" MIN THK.  
 .OVER NICKEL .000040" MIN THK.  
 SOLDER TAILS MATTE TIN PLATE .000100" MIN. THK.  
 OVER NICKEL .000050" MIN THK.
- ITEMS PROVIDED TO THIS SPECIFICATION TO BE IDENTIFIED ON THE CONTAINER PER THE FOLLOWING IDENTIFIER LABEL

YEAR WEEK  
 TYCO PART NO. DATE CODE (e.g. 0106)  
 XXXXXXXX-X XXXX

5. MATES WITH TYCO P/N 6766002-1



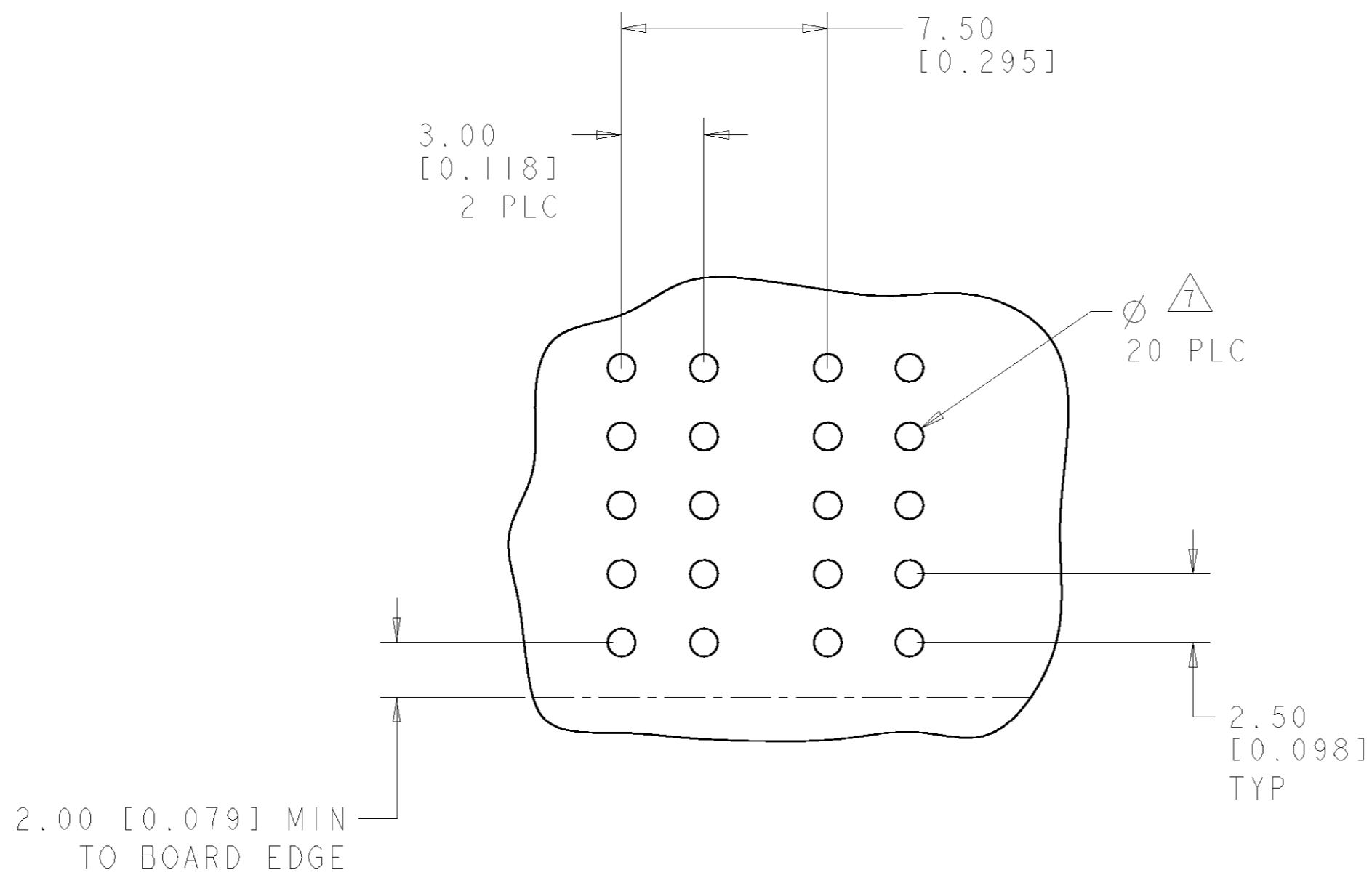
AS SHOWN	6766003-1
DESCRIPTION	PART NUMBER

THIS DRAWING IS A CONTROLLED DOCUMENT FOR TYCO ELECTRONICS CORPORATION. IT IS SUBJECT TO CHANGE AND THE CONTROLLING ENGINEERING ORGANIZATION SHOULD BE CONTACTED FOR THE LATEST REVISION.		DWN R. GRZYBOWSKI 04OCT06	04OCT06	Tyco Electronics Harrisburg, PA 17105-3608
DIMENSIONS: mm [INCHES]		CHK S. FLICKINGER 04OCT06	04OCT06	
TOLERANCES UNLESS OTHERWISE SPECIFIED: 0 PLC ±.5 1 PLC ±.25 2 PLC ±.25 3 PLC ±0.013 4 PLC ±0.0001 ANGLES ±.5		APVD S. FLICKINGER 04OCT06	04OCT06	NAME RIGHT ANGLE SOCKET CONN, SOLDER TAILS
MATERIAL		PRODUCT SPEC	-	SIZE A2
FINISH		APPLICATION SPEC	-	CAGE CODE 200779
-		WEIGHT	-	DRAWING NO. 6766003
-		CUSTOMER DRAWING	-	RESTRICTED TO -
-		SCALE	4:1	SHEET 1 OF 3 REV A

ELCON FLATPAQ

THIS DRAWING IS UNPUBLISHED. RELEASED FOR PUBLICATION 20  
 © COPYRIGHT 20 BY TYCO ELECTRONICS CORPORATION. ALL RIGHTS RESERVED.

LOC	DIST	REVISIONS					
GP	00	P	LTR	DESCRIPTION	DATE	DWN	APVD
		-		SEE SHEET 1	-	-	-



PRINTED CIRCUIT LAYOUT  
 COMPONENT SIDE

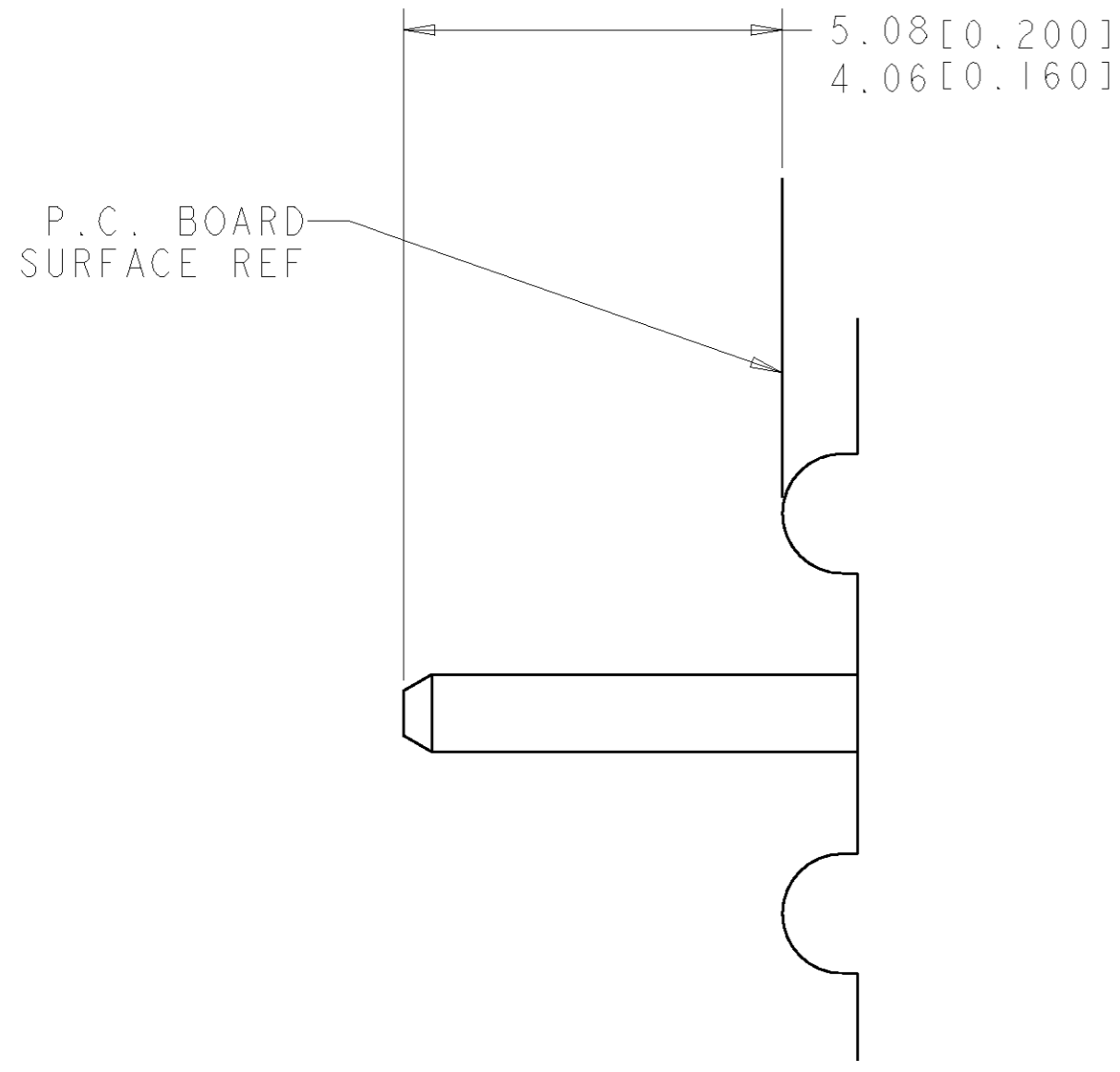
CONNECTOR	CATALOG MODULE #	QTY	SIZE NO.	CONTACT QTY	MATING PIN	MAX. CURRENT (PER CONTACT)	CONTACT SPACING	VOLTAGE RATING
SOCKET	FPI04	2	8	2	1.25 X 7.00 [.049 X .276]	35 amps	7.50 [0.2953]	250

THIS DRAWING IS A CONTROLLED DOCUMENT FOR TYCO ELECTRONICS CORPORATION. IT IS SUBJECT TO CHANGE AND THE CONTROLLING ENGINEERING ORGANIZATION SHOULD BE CONTACTED FOR THE LATEST REVISION.

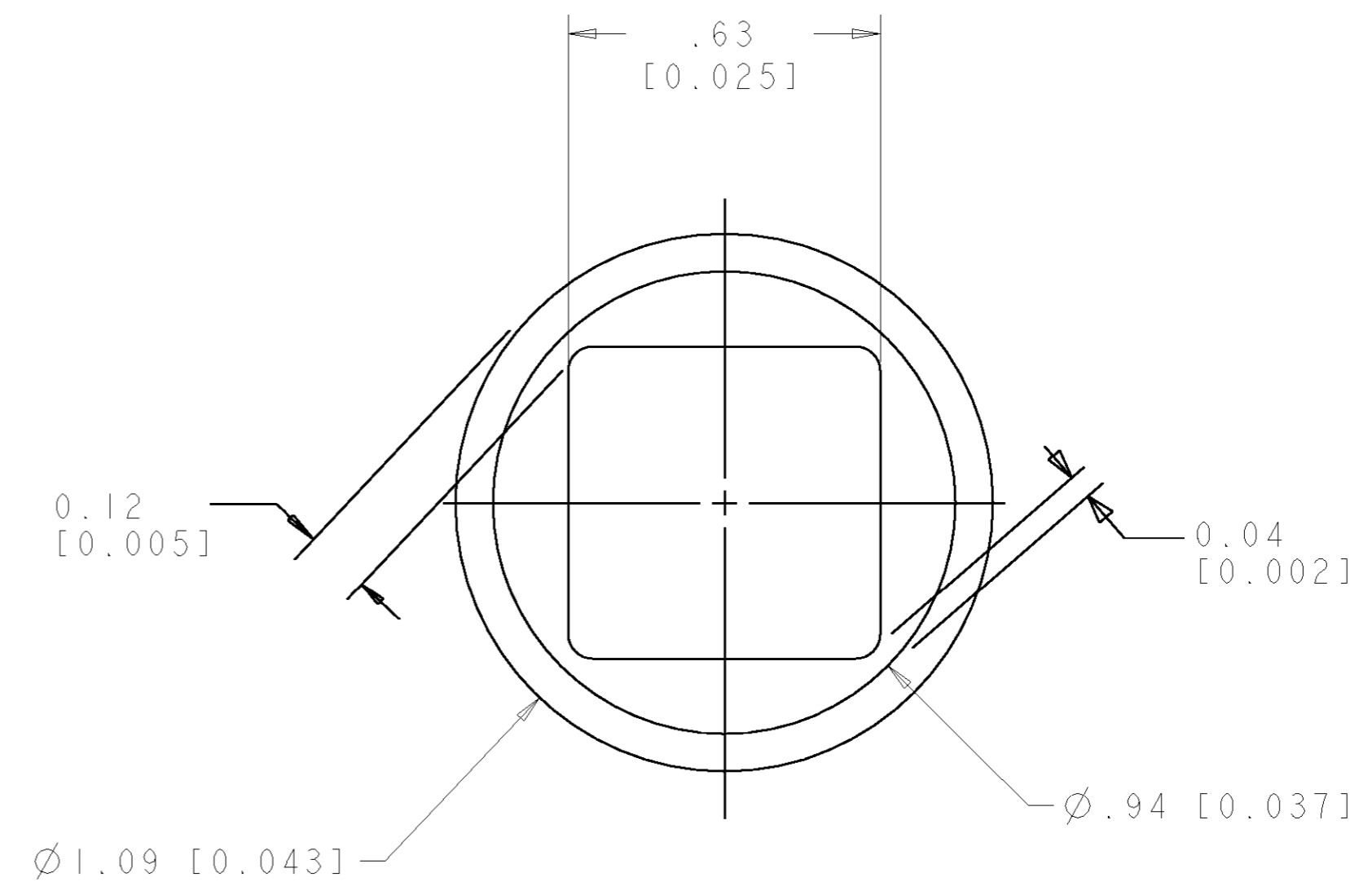
DWN R. GRZYBOWSKI 04OCT06	Tyco Electronics Harrisburg, PA 17105-3608
CHK S. FLICKINGER 04OCT06	
APVD S. FLICKINGER 04OCT06	
PRODUCT SPEC -	
MATERIAL -	NAME RIGHT ANGLE SOCKET CONN, SOLDER TAILS
DIMENSIONS: mm [INCHES]	TOLERANCES UNLESS OTHERWISE SPECIFIED: 0 PLC ±.5 1 PLC ±.5 2 PLC ±.25 3 PLC ±0.001 4 PLC ±0.0001 ANGLES ±.5
MATERIAL -	FINISH -
WEIGHT -	
CUSTOMER DRAWING	
SIZE A200779	CAGE CODE C-6766003
DRAWING NO. 6766003	RESTRICTED TO -
SCALE 4:1	SHEET 2 OF 3 REV A

THIS DRAWING IS UNPUBLISHED. RELEASED FOR PUBLICATION 20  
 © COPYRIGHT 20 BY TYCO ELECTRONICS CORPORATION. ALL RIGHTS RESERVED.

LOC	DIST	REVISIONS			
P	LTR	DESCRIPTION	DATE	DWN	APVD
GP	00	-	SEE SHEET 1	-	-



6. SOLDER TAIL DETAIL  
SCALE 10 : 1



7 SOLDER TERMINATION AREA  
SCALE 40:1  
 RECOMMENDED PRINTED CIRCUIT SOLDER HOLE  
 FINISHED HOLE: Ø 1.02 [0.040] ±.008 [0.0003]  
 DRILLED HOLE: Ø 1.15 [0.0453] ±.013 [0.0005]  
 COPPER PLATE: .025 [0.0010] MIN (PER SURFACE)  
 TIN PLATE: .008 [0.0003] MIN. (PER SURFACE)

THIS DRAWING IS A CONTROLLED DOCUMENT FOR TYCO ELECTRONICS CORPORATION IT IS SUBJECT TO CHANGE AND THE CONTROLLING ENGINEERING ORGANIZATION SHOULD BE CONTACTED FOR THE LATEST REVISION.		DWN R. GRZYBOWSKI 04OCT06	Tyco Electronics Harrisburg, PA 17105-3608	
DIMENSIONS: mm [INCHES]		CHK S. FLICKINGER 04OCT06	NAME RIGHT ANGLE SOCKET CONN, SOLDER TAILS	
TOLERANCES UNLESS OTHERWISE SPECIFIED:		APVD S. FLICKINGER 04OCT06	SIZE A200779	CAGE CODE C-6766003
0 PLC ±.5 1 PLC ±.5 2 PLC ±.25 3 PLC ±0.001 4 PLC ±0.0001 ANGLES ±.5		PRODUCT SPEC -	DRAWING NO -	RESTRICTED TO -
MATERIAL -	FINISH -	APPLICATION SPEC -	WEIGHT -	SCALE 4:1 SHEET 3 OF 3 REV A
CUSTOMER DRAWING				