



REV.	ECN NO.	REVISED	DATE

NOTE:

1.MATERIAL:

- a.HOUSING:LCP UL94V-0
- b.CONTACT:PHOSPHOR BRONZE  
(SURFACE PLATING:Sn100u"-120u")

2.ELECTRIC:

- a.CONTACT RESISTANCE: 50 MILLIOHMS MAX
- b.INSULATION RESISTANCE: 100 MEGA OHMS MIN
- c.DIELECTNIC VOLTAGE: 500V AC ONE MINUTE
- d.OPERATING TEMPERATURE: -25°C~ +85°C

ORDERING INFORMATION

BS-06-B4AK001-R

电池座系列

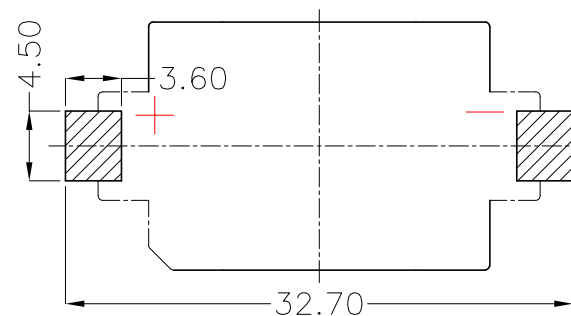
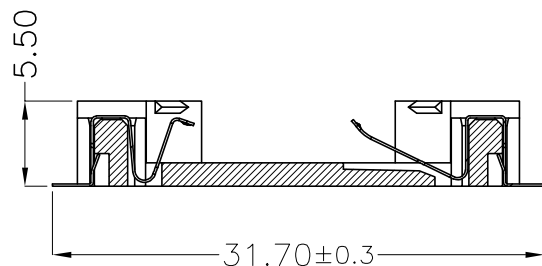
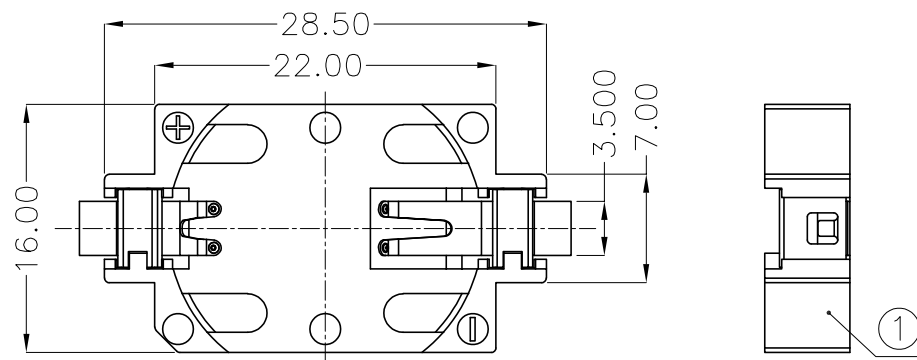
BS-06系列

SMT 180° TYPE

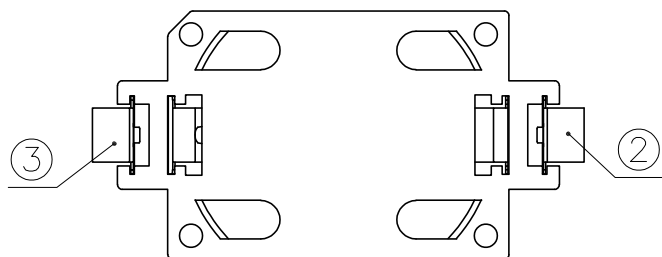
PLATING:  
A-Au1U"  
J-Ni100U"~120U"  
K-Sn100U"~120U"

MATERIAL:  
1A-PBT BLACK  
1B-PA66 BLACK  
2A-PPA BROWN  
2B-PPA BLACK  
3A-PPS BROWN  
3B-PPS BLACK  
4A-LCP WHITE  
4B-LCP BLACK  
5A-PA6T WHITE  
5B-PA6T BLACK

工程部  
2023-09-27  
H. WANG

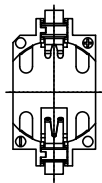


PCB Layout Diagram  
Top View

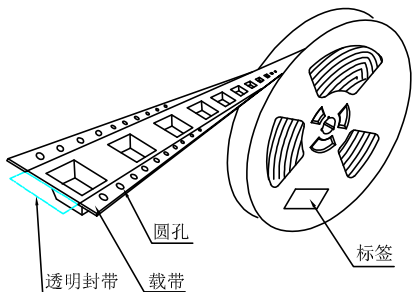


NO.	PART NAME	Q'TY	MATERIAL	PLATING & COLOR
3	TERMINAL(+)	1	PHOSPHOR BRONZE, T=0.15mm	Sn Plating
2	TERMINAL(-)	1	PHOSPHOR BRONZE, T=0.15mm	Sn Plating
1	HOUSING	1	LCP	WHITE

UNLESS OTHERWISE SPECIFIED TOLERANCES		<b>MYOUNG 美用</b> <a href="http://www.meiyangdz.com">www.meiyangdz.com</a>	
DECIMALS: X :±0.30 X.X :±0.25 X.XX :±0.20 X.XXX :±0.10	ANGLES: X :±1° X.X :±0.5°	DSND YangFeng	DATE 2023-09-27
WEIGHT:		CHKD ZhouRuicai	DATE 2023-09-27
SHEET 1 OF 2		APVD XueShunyong	DATE 2023-09-27
SCALE: 2:1		SIZE: A4	VIEW:
UNIT: mm		REV.: A/0	OBJECT: MY
TITLE: BS-2032-6 Sn SMT 卷装		PART NO.: BS-06-B4AK001-R	
DRAW NO.:MY-CP-0013			



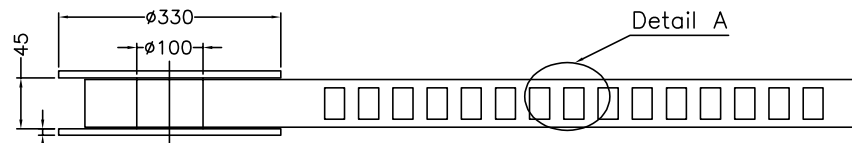
产品



圆孔

透明封带 载带

标签



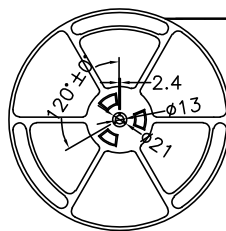
Detail A

出料方向

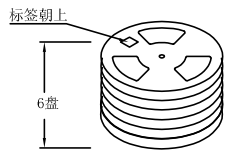


余留封带长: 300 MIN  
载带与封带剥离  
剥离角度: 165°-180°  
剥离强度: 0.1-1.0N  
(300mm/min)

剥离方向

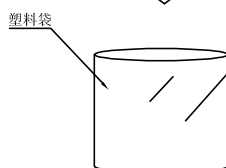


10空穴 共封装 500 只产品 300MIN 15空穴  
末端留空穴载带 前端留空穴载带

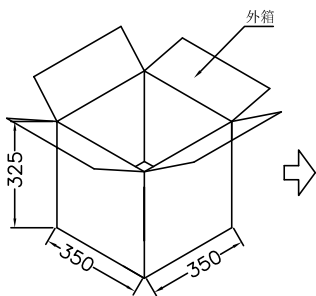


标签朝上

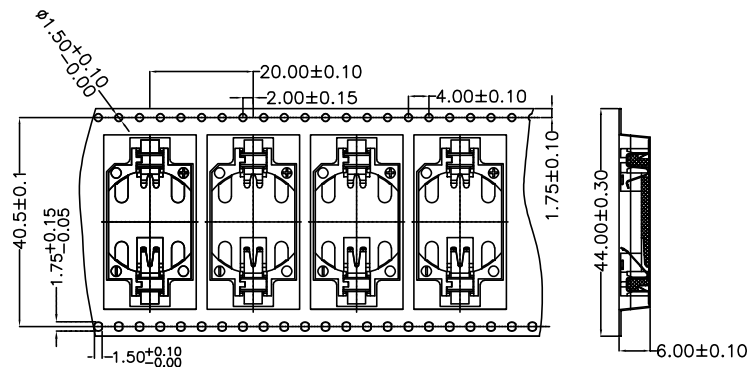
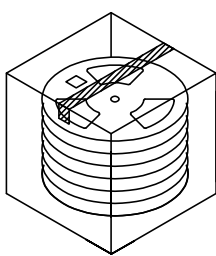
6盘



塑料袋



外箱



Detail A

技术要求:

1. 圆孔十个孔距距离累计允许公差为±0.2mm
2. 带长250mm内容许弯曲度1mm
3. 材料厚度以在载带边缘测量为准
4. 所有尺寸定义依循EIA-481-C系准则定义之
5. 材料: 黑色PS T=0.35mm
6. 所有卷轮为灰蓝挖空旋转塑胶卷轮
7. 整模成型长度: 10.5M,
8. 非指明公差范围为: ±0.1mm; 超过250mm不计算累计误差
9. 型腔外形凡未标明处倒角R为0.2-0.3; 拔模斜度未标注的为3° 以下

包装信息:

- 1、每卷盘装产品 500 只, 卷盘外侧贴相关标签;
- 2、每 6 卷盘放在一个塑料袋中;
- 3、每外箱装6盘, 产品总数: 3000 只;
- 4、外箱上下用胶纸封成“工”字;
- 5、电池座包材BS-2032-6 卷装(BS-6-01-R)



UNLESS OTHERWISE SPECIFIED TOLERANCES		<b>MYOUNG 美阳</b> www.meiyangdz.com			
DECIMALS:	ANGLES:	DSND	YangFeng	DATE	2023-09-27
X : ±***	X : ±***	CHKD	ZhouRuicai	DATE	2023-09-27
X.X : ±***	X.X : ±***	APVD	XueShun Yong	DATE	2023-09-27
X.XX : ±***	X.XX : ±***	WEIGHT:	SCALE: 3:1	SIZE: A4	VIEW:
X.XXX : ±***	X.XXX : ±***	SHEET 2 OF 2	UNIT: mm	REV.: A/0	OBJECT: MY
		TITLE:		BS-2032-6 Sn SMT 卷装	
		PART NO.:		BS-06-B4AK001-R	
		DRAW NO.:		MY-BD-0005	