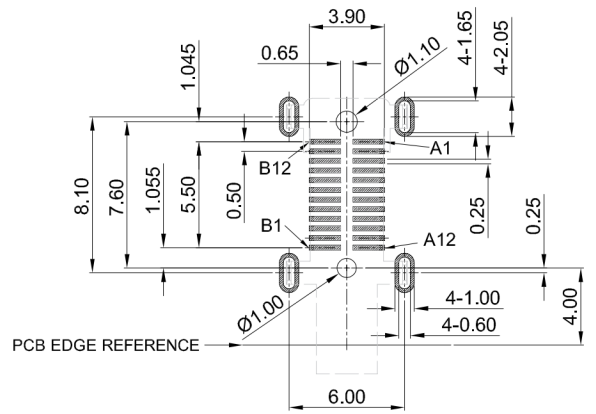
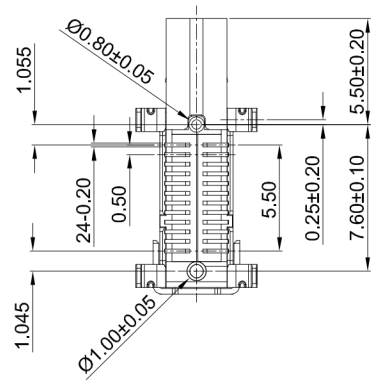


- G-Switch USB-C Specification:**
- 1.Current rated: 5A on vbus/1.25A on vconn/0.25A on other
  - 2.Withstanding voltage: 100V AC/minute
  - 3.Contact resistance: 40mΩ Max
  - 4.Insulation resistance: 100MΩ Min
  - 5.Operating temperature: -40°C ~ +85°C
  - 6.Mating force: 5N~20N
  - 7.Unmating force: 8N~20N
  - 8.Durability cycle:10,000 cycles
  - 9.Data transmission rate up to 40Gbps
  - 10.Compliant with: IEC62680-1-3

**USB IF TID:13340**



A1	A2	A3	A4	A5	A6	A7	A8	A9	A10	A11	A12
GND	TX1+	TX1-	VBUS	CC1	D+	D-	SBU1	VBUS	RX2-	RX2+	GND
First	Second	Second	First	Second	Second	Second	Second	First	Second	Second	First
B12	B11	B10	B9	B8	B7	B6	B5	B4	B3	B2	B1
GND	RX1+	RX1-	VBUS	SBU2	D-	D+	CC2	VBUS	TX2-	TX2+	GND
First	Second	Second	First	Second	Second	Second	Second	First	Second	Second	First

1	COVER SHELL	STAINLESS STEEL	Ni30MIN PLATED
2	SHELL	STAINLESS STEEL	Ni30MIN PLATED
3	EMI	STAINLESS STEEL	--
4	MID PLATE	STAINLESS STEEL	--
5	HOUSING	HIGH TEMPERATURE PLASTIC	BLACK UL 94 V-0
6	TERMINALS	COPPER ALLOY	Au1u"MIN PLATING ON CONTACT AREA
NO.	PARTS	MATERIAL	REMARKS

RECOMMENDED PCB LAYOUT TOLERANCE:±0.05



SCALE: 1:1 UNIT: mm  
SIZE: A4

Unless otherwise General Tolerance:  
X.x ±0.30  
X.xx ±0.20  
X.xxx ±0.10  
X.x<sup>o</sup> ±3°  
X.xx<sup>o</sup> ±2°

Title: Flag Type-c 24P Female SMT CH=5.06 L=14.3mm			
Molde Code: GT-USB-9092A			
DRAWN	CHECKED	APPROVED	DATE
Xia	Chen	Chen	2023.02.01



REV: A0 SHEET: 1/1