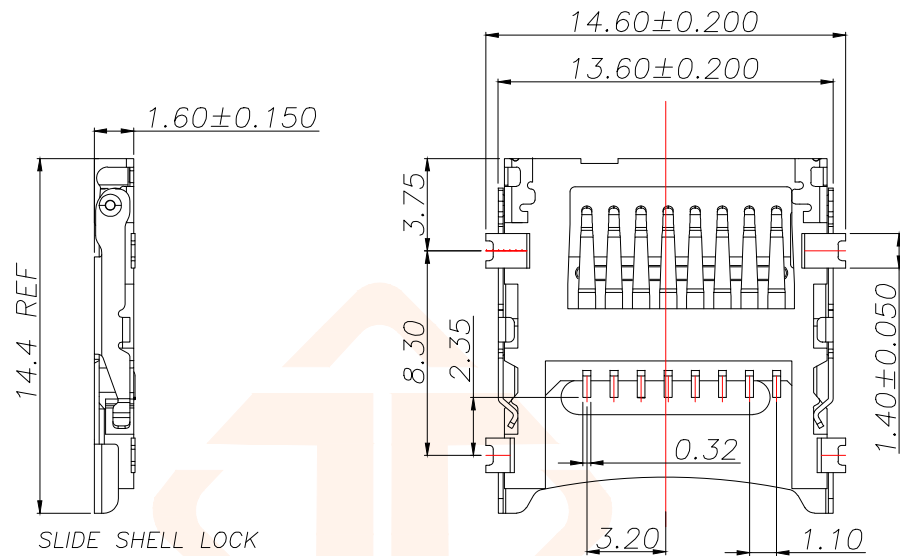
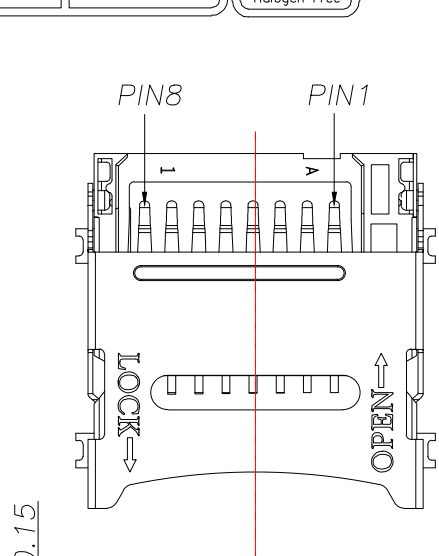
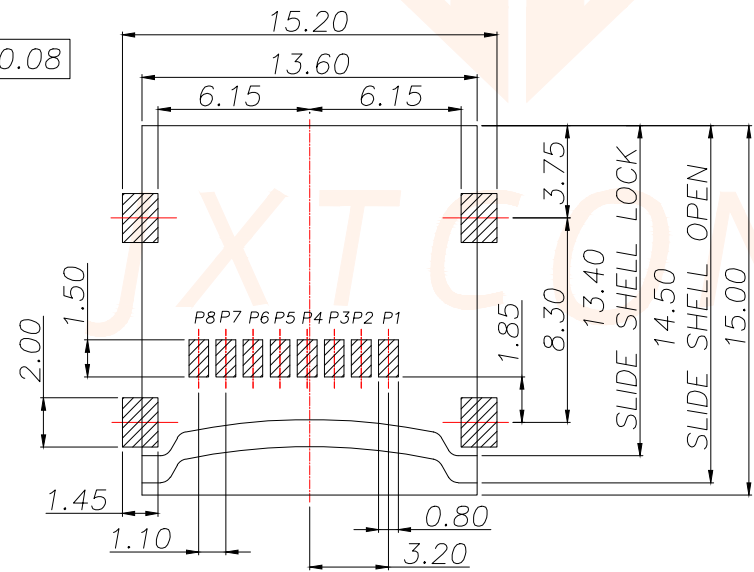
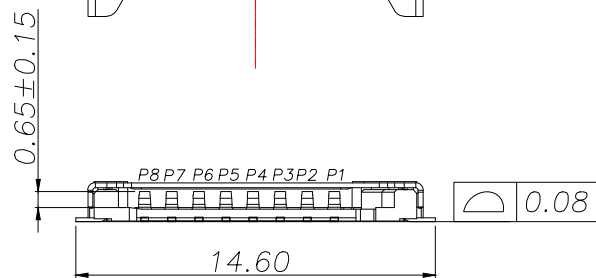




REV.	ECN NO.	DESCRIPTION	DATE	DESIGN



PIN ASSIGNMENT	
P1	DAT2
P2	CD/DAT3
P3	CMD
P4	Vod
P5	CLK
P6	Vss
P7	DAT0
P8	DAT1



RECOMMENDED PCB LAYOUT

□ 产品外形 ▨ 焊盘

MATERIALS

- 1.HOUSING : HI-TEMP PLASTIC LCP-475
- 2.TERMINAL: COPPER ALLOY.
PLATING:GOLD PLATED ON CONTACT AREA,
G/F GOLD PLATED ON SOLDER TAILS.
- 3.SHELL : STANLESS STEEL.

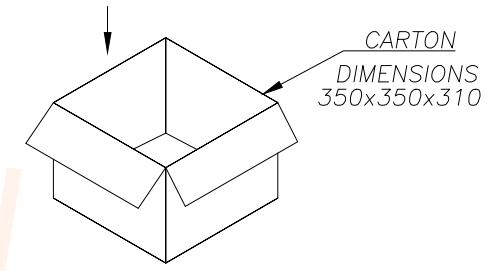
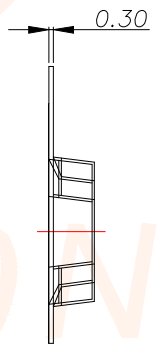
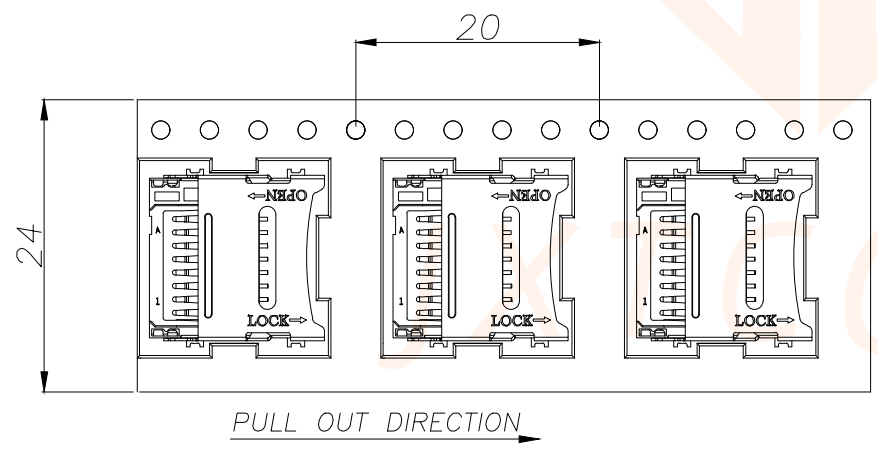
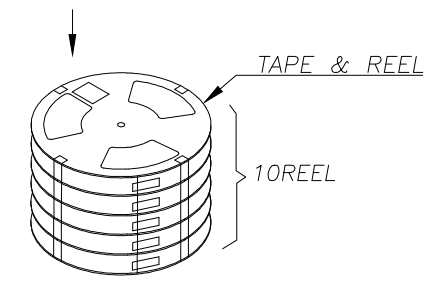
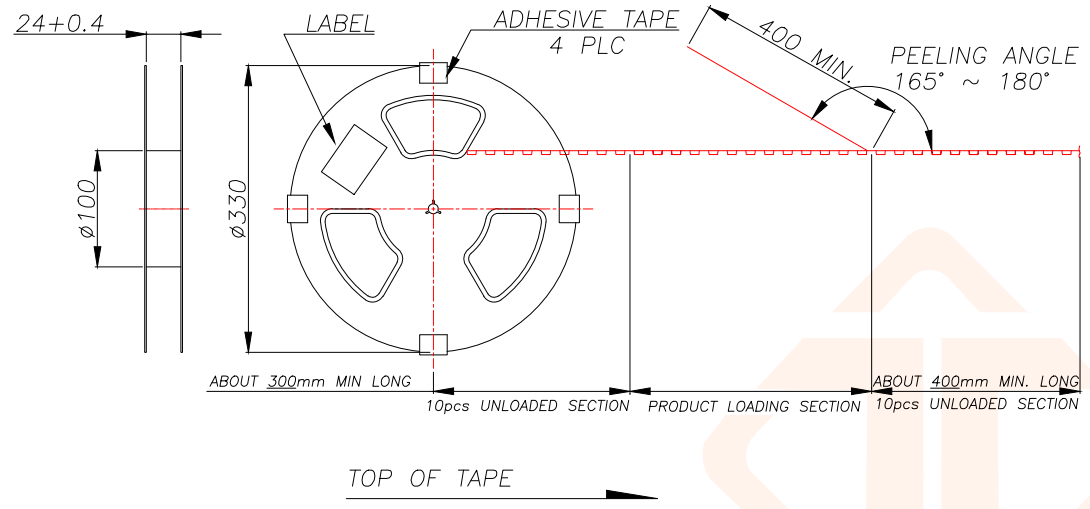
SPECIFICATION

- 1.CURRENT RATING : 0.5A MAX.
- 2.DIELECTRIC WITHSTANDING VOLTAGE :
500V AC R.M.S. FOR 1 MINUTE.
- 3.INSULATION RESISTANCE : 100MΩ MIN.AT 500V DC.
- 4.CONTACT RESISTANCE : 50mΩ MAX.
SWITCH RESISTANCE : 100mΩ MAX.
- 5.OPERATING TEMPERATURE:-30°C TO +85°C.

TOLERANCE		深圳聚兴泰电子科技有限公司 Shenzhen Juxingtai Electronic Technology Co., Ltd		
.X±0.25	±3°	PART NO.	TITLE:	
.XX±0.15		TF-1307-P8	T-FLASH CARD 1.6H(微型)	
.XXX±0.10		DESIGN: Ethan	MANUFACTURE DWG	
UNITS	mm	CHED: Olvia		
MATERILA	---	APPD: Ava	SCALE	SHEET
FINISH	---		N:A	1/2



REV.	ECN NO.	DESCRIPTION	DATE	DESIGN



- NOTES:
- 20 SPROCKET HOLE PITCH CUMULATIVE TOLERANCE ± 0.2 .
 - MATERIAL: CLARITY CONDUCTIVE POLYSTYRENE ALLOY 100% RECYCLABLE.
 - ALL DIMENSIONS MEET EIA-481-3 REQUIREMENTS.
 - THICKNESS: 0.25 ± 0.05 MM
 - COMPONENT LOAD PER 30.2M" REEL: 1000PCS.
 - 10REEL/CARTON: 10000PCS

TOLERANCE		深圳聚兴泰电子科技有限公司 Shenzhen Juxingtai Electronic Technology Co., Ltd		
.X ± 0.25	$\pm 3^\circ$	PART NO.	TITLE:	
.XX ± 0.15		TF-1307-P8	T-FLASH CARD 1.6H(鍍錫式)	
.XXX ± 0.10		DESIGN: Ethan	MANUFACTURE DWG	
UNITS	mm	CHED: Olivia	SCALE SHEET N:A 2/2	
MATERILA	---	APPD: Ava		