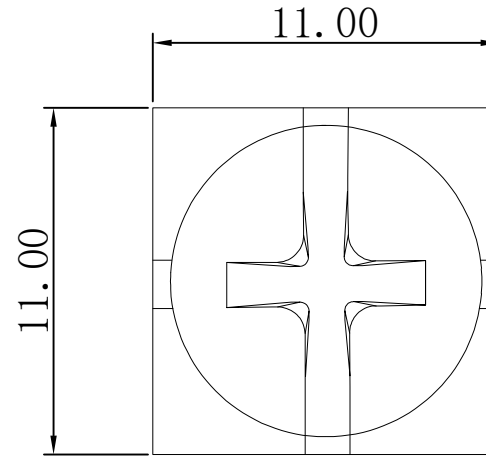
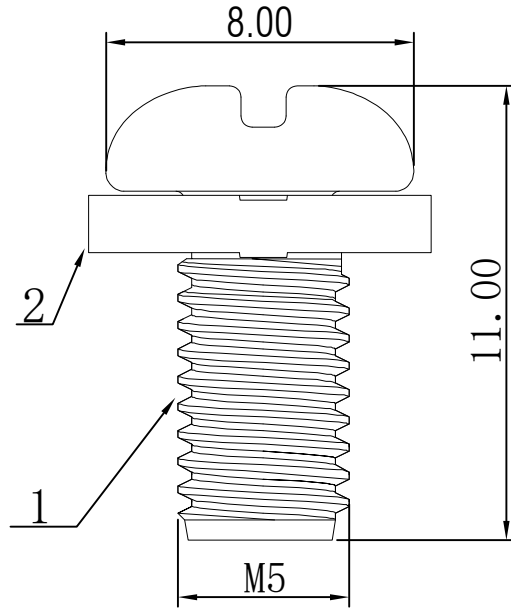


RoHS

REV	ECN NO.	DESCRIPTION	DESIGN	APPROVAL	DATE
A1	NEW	更换图框			2023.11.25

技术要求:

1. 材质: 碳钢
2. 表面处理: 镀镍
3. 螺纹直径: M5
4. 螺纹需符合通止规/止针要求。
5. 表面光滑, 无刮痕



>30.±0.4	X.°±
6-30±0.3	.X°±
0-6±0.2	.XX°±
ANGLES±1°	.XXX°±
UNITS:	mm

PART NO: PM5*8*11		XFCN 兴飞连接器		
TITLE: PM5*8方垫8*11二组合 碳钢镀镍		0769-82001899		
		www.xfconn.com		
		DWG NO: /		
APPD	Chen ZhiQiang	VIEW		
CHKD	Liu Wei	SCALE	SHEET	REV
DRAW	Chen HongJiang			
DATE	2024.04.23	NONE	1/1	A1

THESE DRAWINGS AND SPECIFICATIONS ARE THE PROPERTY OF XFCN AND SHALL NOT BE REPRODUCED, COPIED OR CUED IN ANY MANNER WITHOUT THE PRIOR WRITTEN CONSENT OF XFCN

序号	名称	零件编号	材质	数量
2	垫片		SPCC	1
1	螺丝		SPCC	1