



coil connection module connection from top, screw terminal, for contactors 3RT2.2, 3RT2.3, and 3RT2.4

product brand name	SIRIUS
product designation	Coil connection module
Substance Prohibitance (Date)	10/01/2009
<b>Environmental footprint</b>	
Environmental Product Declaration(EPD)	Yes
Global Warming Potential [CO2 eq] total	7.04 kg
Global Warming Potential [CO2 eq] during manufacturing	0.089 kg
Global Warming Potential [CO2 eq] during operation	6.96 kg
Global Warming Potential [CO2 eq] after end of life	-0.0061 kg
type of electrical connection	screw-type terminals

**Approvals Certificates**

General Product Approval



[Confirmation](#)



EMV	Test Certificates	Marine / Shipping
-----	-------------------	-------------------



[Type Test Certificates/Test Report](#)

[Special Test Certificate](#)



Marine / Shipping	other	Environment
-------------------	-------	-------------



[Miscellaneous](#)

[Confirmation](#)

[EPD Typ II/III \(with life cycle assessment\)](#)

**Further information**

Siemens has decided to exit the Russian market (see here).  
<https://press.siemens.com/global/en/pressrelease/siemens-wind-down-russian-business>

Siemens is working on the renewal of the current EAC certificates.  
 Please contact your local Siemens office on the status of validity of the EAC certification if you intend to import or offer to supply these products to an EAC relevant market (other than the sanctioned EAEU member states Russia or Belarus).

Information on the packaging  
<https://support.industry.siemens.com/cs/ww/en/view/109813875>

Information- and Downloadcenter (Catalogs, Brochures,...)  
<https://www.siemens.com/ic10>

Industry Mall (Online ordering system)

<https://mall.industry.siemens.com/mall/en/en/Catalog/product?mlfb=3RT2926-4RA11>

Cax online generator

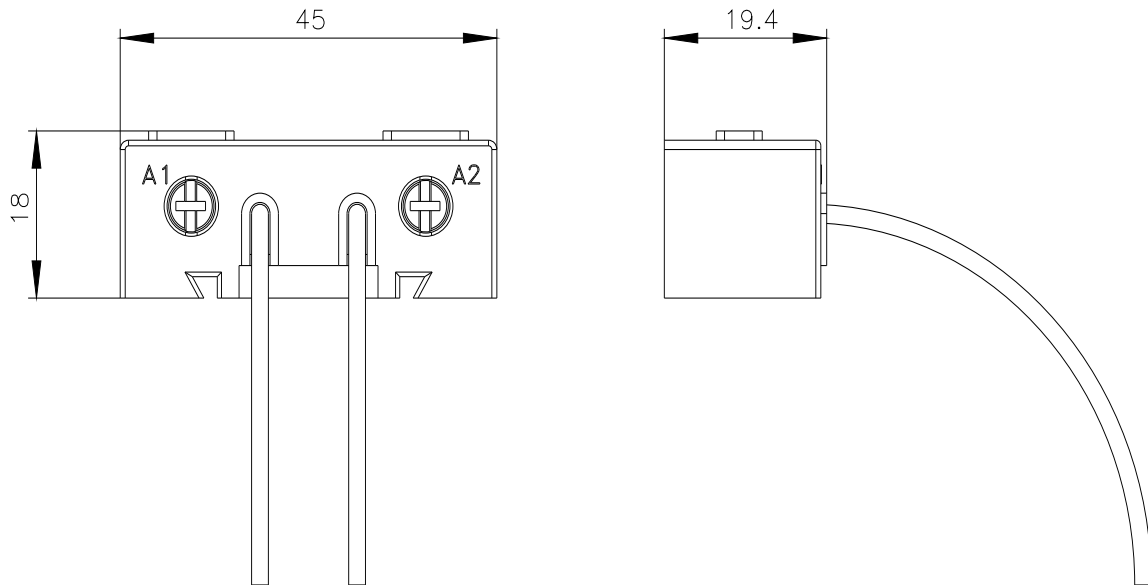
<http://support.automation.siemens.com/WW/CAXorder/default.aspx?lang=en&mlfb=3RT2926-4RA11>

Service&Support (Manuals, Certificates, Characteristics, FAQs,...)

<https://support.industry.siemens.com/cs/ww/en/ps/3RT2926-4RA11>

Image database (product images, 2D dimension drawings, 3D models, device circuit diagrams, EPLAN macros, ...)

[http://www.automation.siemens.com/bilddb/cax\\_de.aspx?mlfb=3RT2926-4RA11&lang=en](http://www.automation.siemens.com/bilddb/cax_de.aspx?mlfb=3RT2926-4RA11&lang=en)



last modified:

11/9/2023 