

## 1. Description

The CSD16556Q5B(ES) is N-Channel enhancement MOS Field Effect Transistor. Uses advanced shielded gate trench technology and design to provide excellent  $R_{DS(ON)}$  with low gate charge. Device is suitable for use in DC-DC conversion, power switch and charging circuit. Standard Product CSD16556Q5B(ES) is Pb-free.

## 2. Features

- 30V,  $R_{DS(ON)}=1.15m\Omega(TYP.) @V_{GS}=10V$
- $R_{DS(ON)}=1.65m\Omega(TYP.) @V_{GS}=4.5V$
- Use trench MOSFET technology
- High density cell design for low  $R_{DS(on)}$
- Material: Halogen free
- Reliable and rugged
- Avalanche Rated
- Low leakage current

## 3. Applications

- PWM applications 100% UIS TESTED
- Load switch
- Power management in portable/desktop PCs
- DC/DC conversion

## 4. Ordering Information

Part Number	Package	Marking	Material	Packin g	Quantit y per reel	Flammabilit y Rating	Reel Size
CSD16556Q5B(ES )	PDFN5*6 -8L	.6512A/LO T	Haloge n free	Tape & Reel	5,000 PCS	UL 94V-0	13 inche s

Table-1 Ordering information

## 5. Pin Configuration and Functions


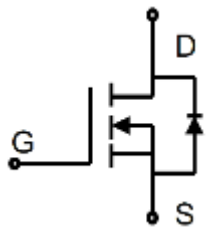
Pin	Function	Outline	Circuit Diagram
4	Gate	Note b  	
1/2/3	Source		
5/6/7/8	Drain		

Table-2 Pin configuration

## 6. Specification

### Absolute Maximum Rating & Thermal Characteristics

Ratings at 25 °C ambient temperature unless otherwise specified.

Parameter		Symbol	Limit	Unit
Drain-Source Voltage		$BV_{DSS}$	30	V
Gate-Source Voltage		$V_{GS}$	±20	V
Continuous Drain Current	$T_C=25^{\circ}C$	$I_D$	180	A
	$T_C=100^{\circ}C$		108	
Maximum Power Dissipation	$T_C=25^{\circ}C$	$P_D$	83	W
Pulsed Drain Current		$I_{DM}$	720	A
Avalanche Current (L=0.5mH)		$I_{AS}$	33	A
Avalanche energy <sup>a</sup>		$E_{AS}$	272	mJ
Operating Junction Temperature		$T_J$	-55 to 150	°C
Lead Temperature		$T_L$	260	°C
Storage Temperature Range		$T_{stg}$	-55 to 150	°C

#### Thermal resistance ratings

Single Operation			
Parameter	Symbol	Typical	Unit
Junction-to-Case Thermal Resistance	$R_{\theta JC}$	1.5	°C/W

Notes:

a: EAS condition: Starting  $T_J=25^{\circ}C$ ,  $V_{DD}=15V$ ,  $V_G=10V$ ,  $R_G=25\Omega$ ,  $L=0.5mH$ .

b: This diagram is only an electrical schematic, and the actual pin size is based on POD.

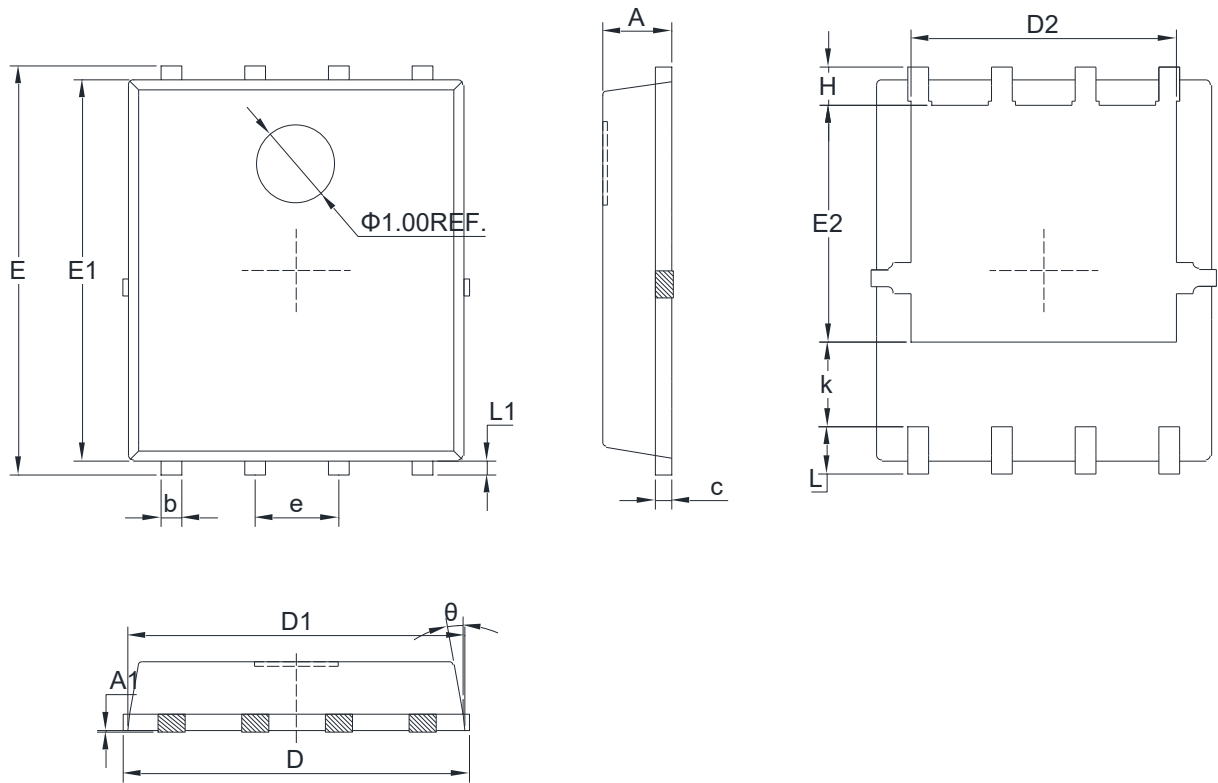
## Electrical Characteristics

At TA = 25°C unless otherwise specified

Parameter	Symbol	Test Conditions	Min.	Typ.	Max.	Unit
<b>OFF CHARACTERISTICS</b>						
Drain-to-Source Breakdown Voltage	$BV_{DSS}$	$V_{GS}=0V, I_D=250\mu A$	30			V
Zero Gate Voltage Drain Current	$I_{DSS}$	$V_{DS}=30V, V_{GS}=0V$			1.0	$\mu A$
Gate-to-source Leakage Current	$I_{GSS}$	$V_{DS}=0V, V_{GS}=\pm 20V$			$\pm 100$	nA
<b>ON CHARACTERISTICS</b>						
Gate Threshold Voltage	$V_{GS(TH)}$	$V_{GS}=V_{DS}, I_D=250\mu A$	1.1	1.6	2.2	V
Drain-to-source On-resistance	$R_{DS(on)}$	$V_{GS}=10V, I_D=30A$		1.15	1.5	$m\Omega$
		$V_{GS}=4.5V, I_D=20A$		1.65	2.2	$m\Omega$
<b>CHARGES, CAPACITANCES AND GATE RESISTANCE</b>						
Input Capacitance	$C_{ISS}$	$V_{GS}=0V, f=1MHz, V_{DS}=15V$		3100		$pF$
Output Capacitance	$C_{OSS}$			1757		
Reverse Transfer Capacitance	$C_{RSS}$			98		
Total Gate Charge	$Q_{G(TOT)}$	$V_{GS}=0 \text{ to } 10V, V_{DS}=20V, I_D=30A$		44		nC
Gate-to-Source Charge	$Q_{GS}$			9		
Gate-to-Drain Charge	$Q_{GD}$			6		
<b>SWITCHING CHARACTERISTICS</b>						
Turn-On Delay Time	$t_{d(ON)}$	$V_{GS}=10V, V_{DD}=20V, I_D=30A, R_G=1.6\Omega$		17		ns
Rise Time	$t_r$			5		
Turn-Off Delay Time	$t_{d(OFF)}$			52		
Fall Time	$t_f$			12		
<b>BODY DIODE CHARACTERISTICS</b>						
Forward Voltage	$V_{SD}$	$V_{GS}=0V, I_S=30A$			1.2	V

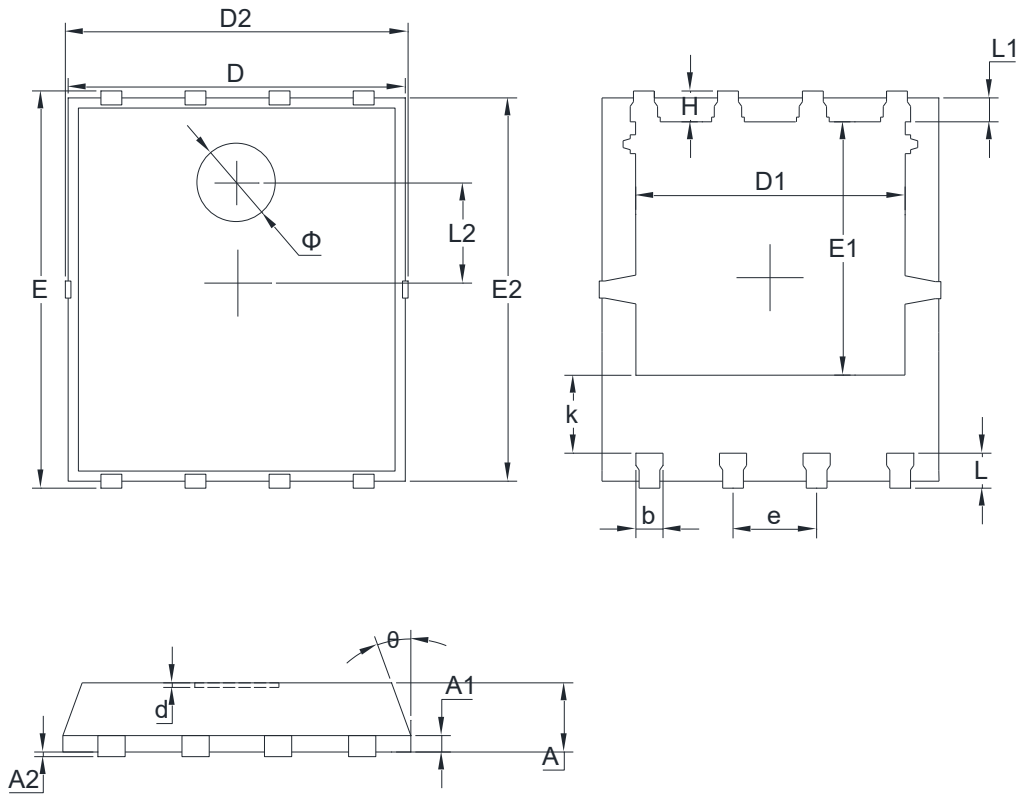
### 7. Dimension (PDFN5\*6-8L)

#### POD A(Q)



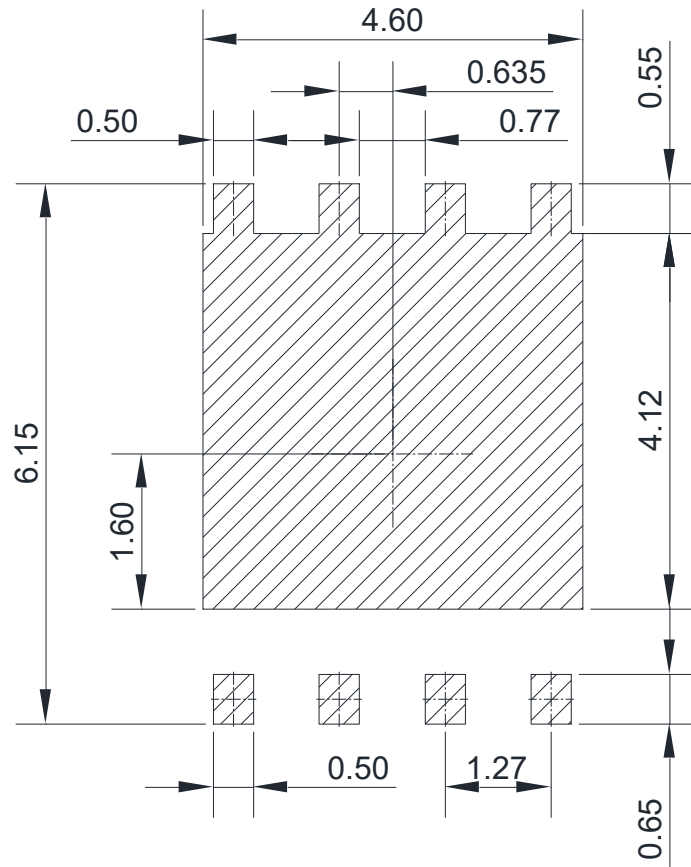
Symbol	Dimensions in Millimeters			Symbol	Dimensions in Millimeters		
	MIN	NOM	MAX		MIN	NOM	MAX
A	0.90	1.00	1.10	H	0.46	0.56	0.66
A1			0.05	k	1.10		
b	0.30	0.40	0.50	L	0.51	0.61	0.71
c	0.20	0.25	0.30	L1	0.05	0.15	0.25
D	4.80	5.10	5.40	$\theta$	8°	10°	12°
D2	3.75	3.90	4.05	D1	4.80	4.90	5.00
E	5.95	6.05	6.15				
E1	5.65	5.75	5.85				
e	1.27BCS						
E2	3.34	3.49	3.64				

POD B(X)



Symbol	Dimensions in Millimeters			Symbol	Dimensions in Millimeters		
	MIN	NOM	MAX		MIN	NOM	MAX
A	0.900	1.000	1.100	H	0.549	0.625	0.701
A1	0.254 REF			k	1.190	1.290	1.390
A2	0.000		0.050	L	0.534	0.610	0.686
D	4.824	4.900	4.976	L1	0.424	0.500	0.576
D1	3.910	4.010	4.110	$\theta$	8°	10°	12°
D2	4.924	5.000	5.076	L2	1.800 REF		
E	5.924	6.000	6.076	$\Phi$	1.100	1.200	1.300
E1	3.375	3.475	3.575	d			0.100
e	1.270 TYP			b	0.350	0.400	0.450
E2	5.674	5.750	5.826				

8. Recommended Soldering Footprint



DIMENSIONS: MILLIMETERS

## DISCLAIMER

ELECSUPER PROVIDES TECHNICAL AND RELIABILITY DATA (INCLUDING DATASHEETS), DESIGN RESOURCES (INCLUDING REFERENCE DESIGNS), APPLICATION OR OTHER DESIGN ADVICE, SAFETY INFORMATION, AND OTHER RESOURCES “AS IS” AND WITH ALL FAULTS, AND DISCLAIMS ALL WARRANTIES, EXPRESS AND IMPLIED, INCLUDING WITHOUT LIMITATION ANY IMPLIED WARRANTIES OF MERCHANTABILITY, FITNESS FOR A PARTICULAR PURPOSE OR NON-INFRINGEMENT OF THIRD PARTY INTELLECTUAL PROPERTY RIGHTS.

These resources are intended for skilled developers designing with ElecSuper products. You are solely responsible for

- (1) selecting the appropriate ElecSuper products for your application;
- (2) designing, validating and testing your application;
- (3) ensuring your application meets applicable standards, and any other safety, security, or other requirements.

These resources are subject to change without notice. ElecSuper grants you permission to use these resources only for development of an application that uses the ElecSuper products described in the resource. Other reproduction and display of these resources are prohibited. No license is granted to any other ElecSuper intellectual property right or to any third party intellectual property right. ElecSuper disclaims responsibility for, and you will fully indemnify ElecSuper and its representatives against, any claims, damages, costs, losses, and liabilities arising out of your use of these resources. ElecSuper’s products are provided subject to ElecSuper’s Terms of Sale or other applicable terms available either on [www.elecsuper.com](http://www.elecsuper.com) or provided in conjunction with such ElecSuper products. ElecSuper’s provision of these resources does not expand or otherwise alter ElecSuper’s applicable warranties or warranty disclaimers for ElecSuper products.