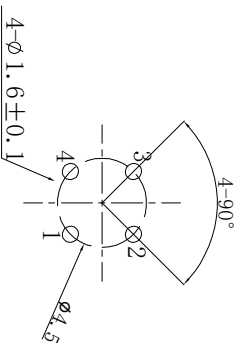
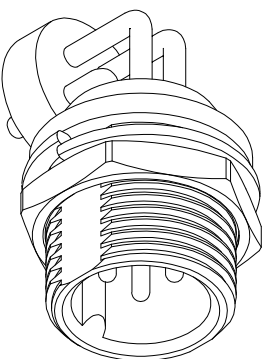
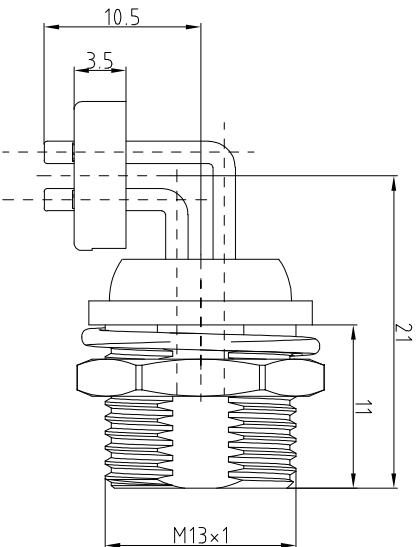
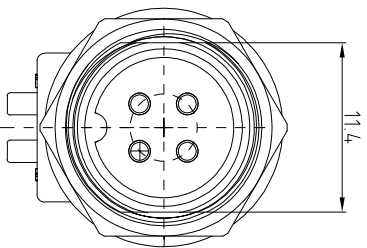
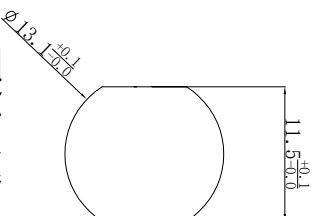


1. FIGURE AND DIMENSIONS (视图及尺寸)



PCB板开孔尺寸
A-A (比例: 1: 1)



面板开孔尺寸

Main technical indicators (主要技术指标)	
1. Mating (插拔次数)	1000
2. Working Temperature (温度)	-50~+70°
3. IP Rating (防护级别)	IP 50
5. Rated voltage (额定电压)	400V
6. Rated Current (额定电流)	5
7. Shell material (壳体材质)	Zinc alloy nickel plated/锌合金镀镍
8. Pin Material (插针材料)	Copper gilding (铜镀金)
9. Insulation resistance (绝缘电阻)	> 100MΩ
10. Insulator material (绝缘体材料)	橡胶黑木
11. Salt spray test (盐雾测试)	> 48H

Sum up (总结)	
Series (系列)	GX12
Shell style/model (外壳样式/型号)	GX12: Fixed socket, front and rear panel mount type/固定插座, 前后面板安装型
Button (按键)	1 button (1个按键)
Termination type (终止类型)	Male solder (公板接)
Line diameter awg (线材直径)	-
Cable diameter φ (电缆直径)	-
Match plug (匹配插头)	-

版本		TITLE		DRAWING NO.		REV.	
REVA4		EC. GX12. P04. CAV		A0		A0	
REVA3							
REVA2							
REVA1							
DRAW		PART NO.		UNIT		mm	
CHECK		USE		SCALE		Free	
APPR'D		DATE		SHEET		10F N	
				KKB INDUSTRIAL PRECISION CO., LIMITED			

