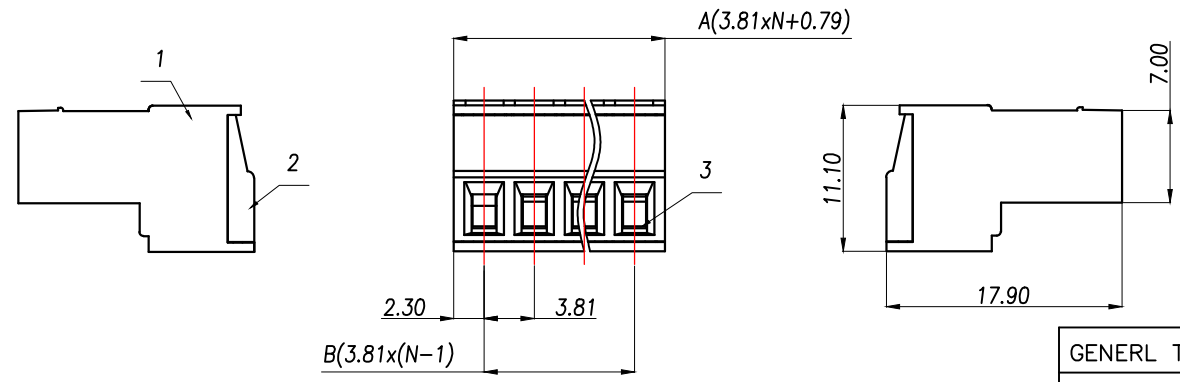
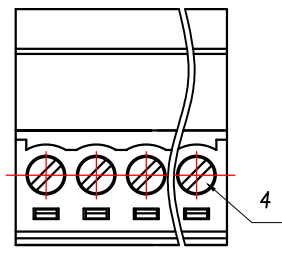
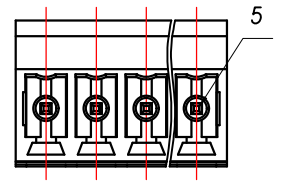


General tolerances(mm)													0.1/10	
0 ~ 3	>3 ~ 6	>6 ~ 10	>10 ~ 18	>18 ~ 30	>30 ~ 50	>50 ~ 80	>80 ~ 120	>120 ~ 180	>180 ~ 250	>250 ~ 315	>315 ~ 400	>400 ~ 500		>500
±0.12	±0.18	±0.22	±0.26	±0.31	±0.37	±0.57	±0.80	±0.93	±1.05	±1.15	±1.60	±2.20	±2.50	±2'



Product model	PIN	A	B
ZX-DGRK-3.81-2P	2	8.41	3.81
ZX-DGRK-3.81-3P	3	12.22	7.62
ZX-DGRK-3.81-4P	4	16.03	11.43
ZX-DGRK-3.81-5P	5	19.84	15.24
ZX-DGRK-3.81-6P	6	23.65	19.05
ZX-DGRK-3.81-7P	7	27.46	22.86
.....
ZX-DGRK-3.81-16P	16	3.81xN+0.79	3.81x(N-1)

UL Standard	B	C	D
Rated Voltage(V)/Current(A)	300/8	/	/
IEC Standard:			
Overvoltage Category/Pollution Degree	II/2		
Rated Voltage(V)/Current(A)	250/7		
Rate Impulse Voltage(KV)	2.5		
Torque Tightening(N·m/Lb.in)	M2, 0.2/1.77		
Wire Range(rigid and flexible)(mm ² /AWG)	1.5/28~16		
Pitch(mm)/Poles	3.81/N=02~16P		
Stripping length(mm)	6-7		
Operating temperature(°C)	-40~+105		
Conform to RoHS	Yes		

5	Pin	Copper	Sn Plated
4	Screw	Steel	M2/Zn Plated
3	Cage	Copper Alloy	M2/Ni Plated
2	Cover	PA66	UL94V-0
1	Housing	PA66	UL94V-0
ITEM	NAME OF PART	MATERIAL	NOTES

GENERAL TOLERANCE		制图 DRAWING	Yu	料号 PART NO.	ZX-DGRK-3.81-NP	版次 REV.	A
X.±0.25	X.*±2'						
.X±0.20	.X*±1'	核准 APPROVAL	RUAN	客户料号 CUTM.NO.			
.XX±0.15	.XX*±0.5'					单位 UNITS	MM
.XXX±0.10	.XXX*±0.5'						