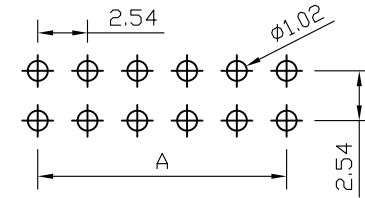
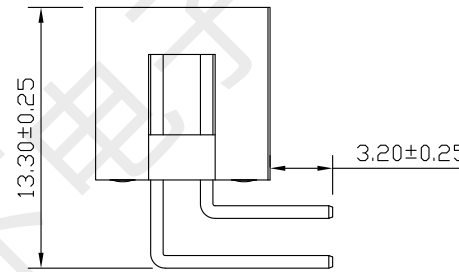
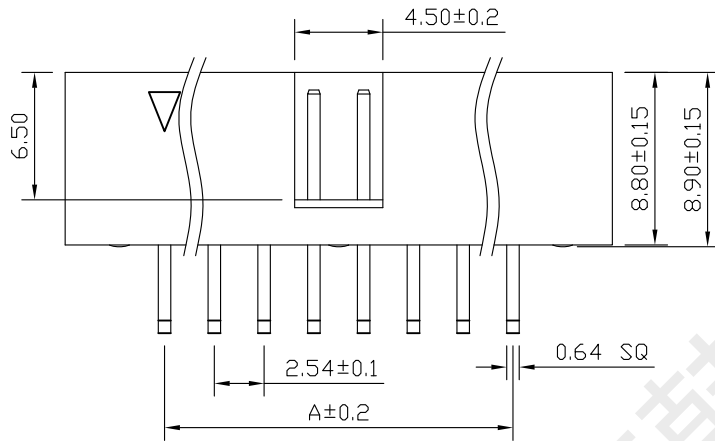
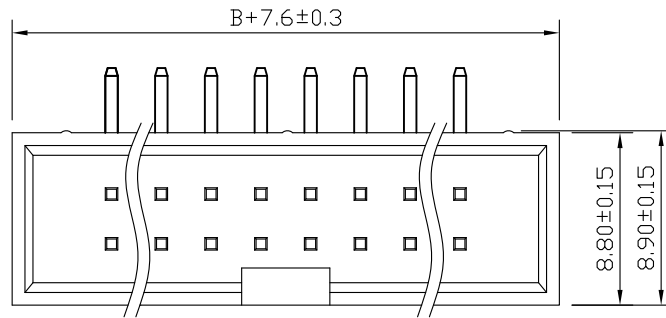


### SPECIFICATIONS

Current Rating: 3Amps  
 Insulation Resistance: 1000MΩ Min  
 Contact Resistance: 20mΩ Max  
 Withstanding Voltage: AC 1000V  
 Operation Temperature: -40° to+105°  
 Contact Material: Brass  
 Insulator Material: Polyester (UL 94V-0)  
 Contact plating: Gold Flash  
 Standard: PA6T  
 Max. Processing Temp: 240° C for 30-60 seconds  
 (260° C for 10 seconds)



RECOMMEND P. C. B LAYOUT  
 PCB TOLERANCE: ±0.05 (TOP VIEW)



深圳市韩下电子有限公司

No. of	DIM. A	DIM. B	No. of	DIM. A	DIM. B	No. of	DIM. A	DIM. B
6	5.08	7.62	20	22.86	25.40	36	43.18	45.72
8	7.62	10.16	24	27.94	30.48	40	48.26	50.80
10	10.16	12.70	26	30.48	33.02	44	53.34	55.88
12	12.70	15.24	28	33.02	35.56	50	60.96	63.50
14	15.24	17.78	30	35.56	38.10	60	73.66	76.20
16	17.78	20.32	32	38.10	40.64	64	78.74	81.28
18	20.32	22.86	34	40.64	43.18			

UNLESS OTHERWISE SPECIFIED TOLERANCE

X : ±0.30 X° : ±5°  
 X.X : ±0.25 X.X° : ±1°  
 X.XX : ±0.20 X.XX° : ±0.5°

DRAWN NAME: HX IDC254-2-08-W-8.9  
 SIZE A4 SCALE N:1 PROUCT NO.  
 REV A UNIT mm PROJECT PAGE 1/1

DRAWN : 黄彬 2020.6.24 CHECKED: 张伟 2020.6.24 APPROVED: 罗小春 2020.6.24