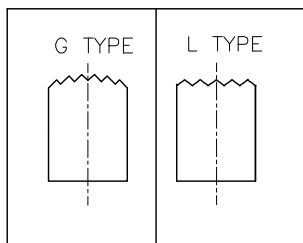
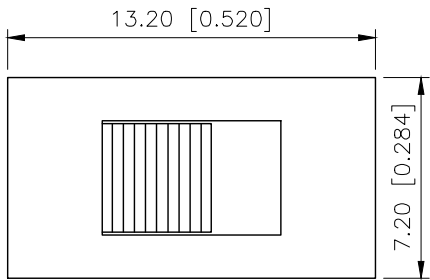
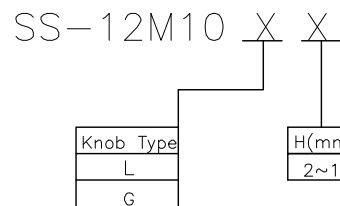
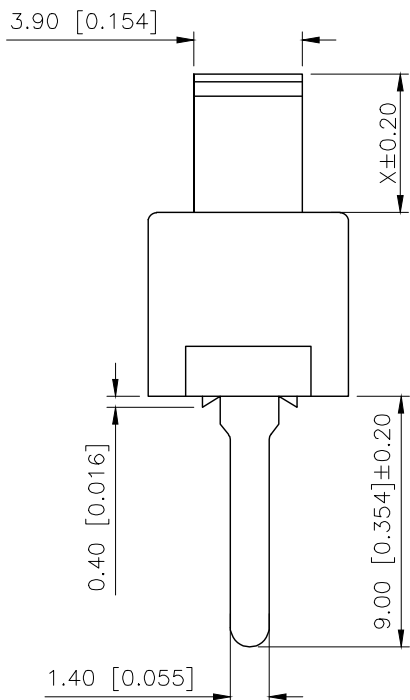
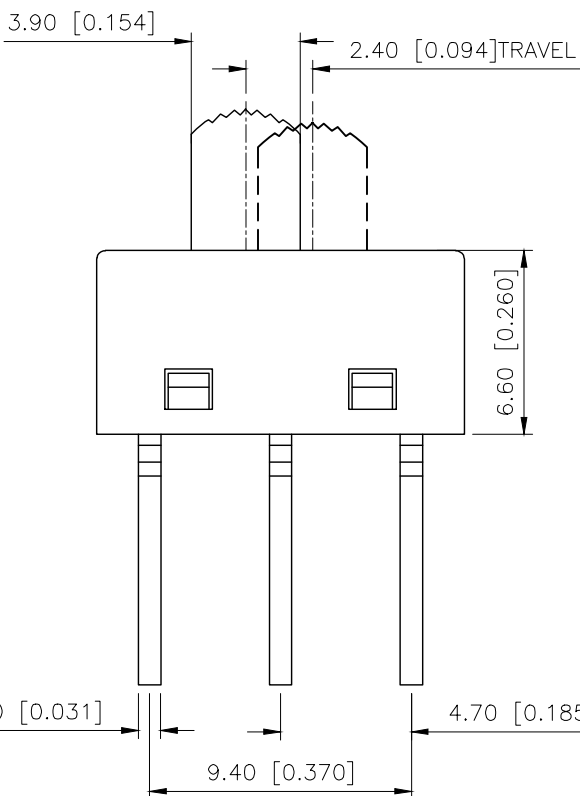


REVISIONS					
REV.	ECN NO.	LOCATION	DESCRIPTION	DATE	DESIGN
A1	N/A			2025.06.17	
A2	N/A			2025.11.21	



- Specifications( )
- 1.Voltage rating( ):DC 250V
  - 2.Current rating( ):3A AC/DC
  - 3.Withstanding voltage( ): 500V AC/minute
  - 4.Insulation resistance( ): 100MΩ Min
  - 5.Contact resistance( ):≤30mΩ Max
  - 6.Mating cycles 10000 cycles Min
  - 7.Operating force 250±100gf
  - 8.Temperature range( ):-16 ~+85



Function		
ON	NA	ON
●—○	/	○—●

7	Terminal	1	T2	Plating silvering
6	Base	1	PA9T UL94V-0	Black
5	Contact Plate	1	T2	Plating silvering
4	Spring	1	carbon steel	Plating silvering
3	Rotor	1	Q235	Plating silvering
2	Keystake	1	PA66	Black
1	Shell	1	PA66	Black
ITEM	PAPT NAMF	QTY	MATERIAL	FINISHING

AuGLAR	±5°
X.	±0.40
X.x	±0.30
X.xx	±0.20
X.xxx	±0.15
UNSPECIFIED TOLERAuCES	



DESIGN	VIEW:	MODEL TYPE: SLIDE SWITCH
CHECKED	UNIT: mm/in	PART NO.: SS-12M10xx
APPROVED	SIZE: A4	DWG NO.: