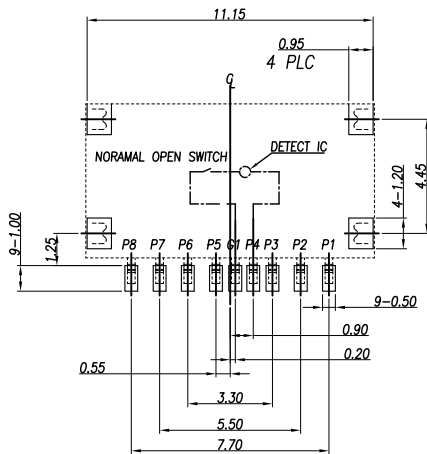
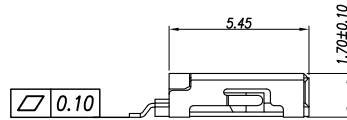
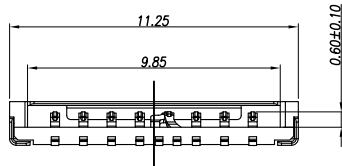
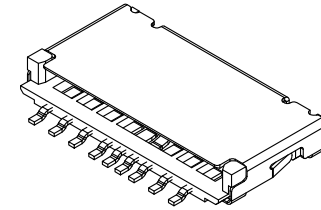
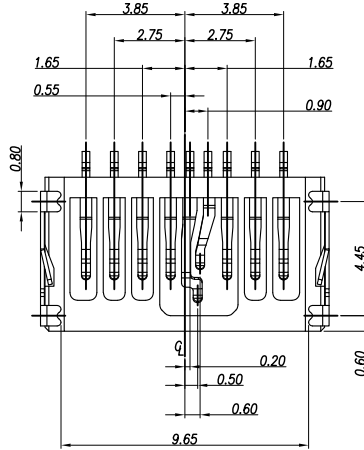
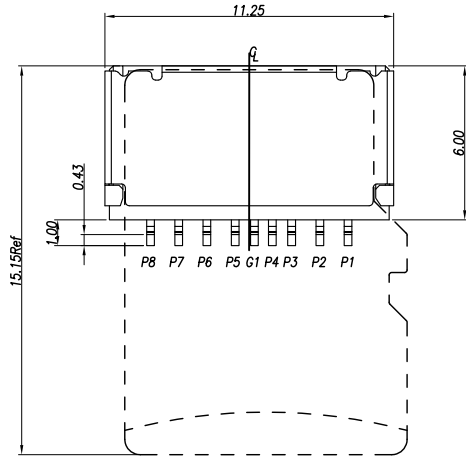


RoHS Compliant



P8	DAT1
P7	DAT0
P6	VSS
P5	CLK
G1	SWITCH
P4	VDD
P3	CMD
P2	CD/DAT3
P1	DAT2
PIN NUMBER	PIN NUMBER

NOTE:
 MATERIAL: 1.HOUSING:HGH THERMOPLASTIC UL 94-V0 BLACK
 2.SIGNAL TERMINAL/DETECT TERMINAL:PHOSPHOR BRONZE T=0.12MM
 3.SHELL: STAINLESS STEEL T=0.20MM
 FINISH: 1.TERMINAL:1.25-6.25 MICRON NICKEL MIN UNDER-PLATED
 GOLD FLASH PLATD ON CONTACT AREA
 2.SHELL:1.25 MICRON MIN NICKEL PLATING OVER ALLGOLD
 FLASH PLATED ON SOLDER AREA

RECOMMEND P.C.B. LAYOUT
 General Tolerance: ±0.05

深圳市敏连达科技有限公司 Shenzhen Minianda Technology Co.,Ltd.		品名 (ITEM NO)	TF短体卡座 1.7H (中间带侦测pin)		
		料号 (PART NO)	MLD-TF-H17		
单位 (UNIT): MM	未注公差 TOLERANCE UNSPECIFIED	版次 (REV): A/O	页次 (PAGE): 1/1	设计 (DESIGN)	柯南
比例 (SCALE) 1:1	X.X ± 0.38 X.XX ± 0.20 X.XXX ± 0.10 X' ± 5' X.X' ± 2'	模号 (MODEL NO)	审核 (CHECKED)		邱敏
		图号 (DWG NO)	MLD-2509031032	核准 (APPROVED)	陈镇