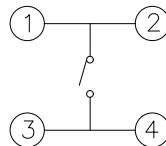
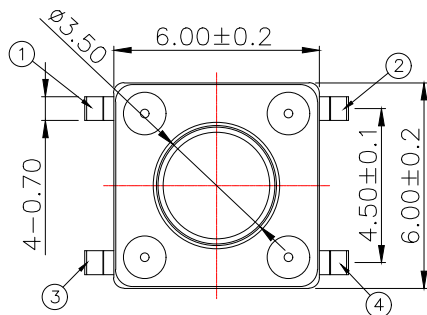
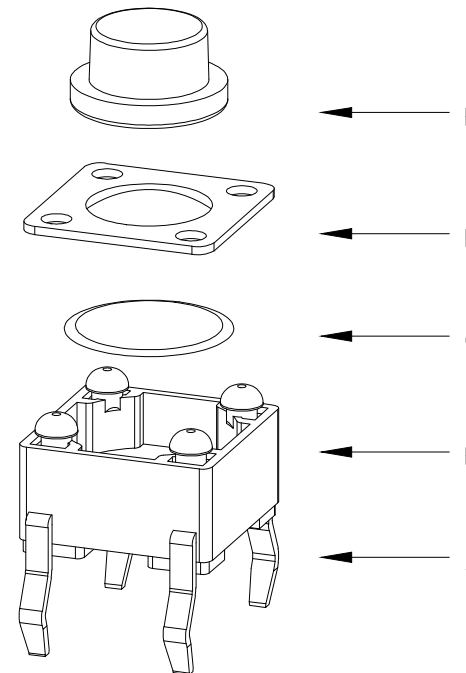
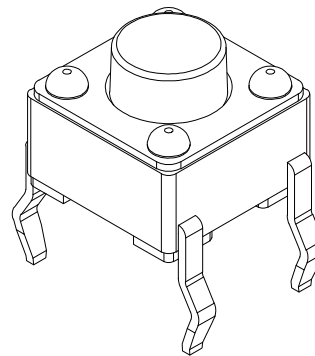
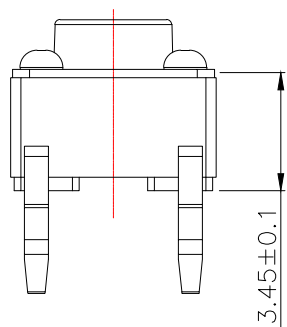
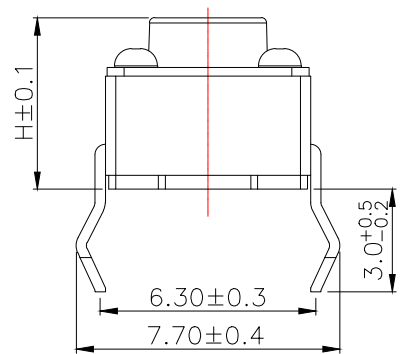
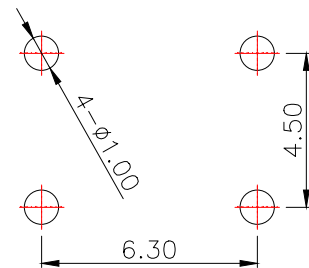


REV.	ECN NO OR DESCRIPTION	DRAW	DATE



CIRCUIT DIAGRAM




PCB.WELDING DRAWING

主要技术参数、性能  
The Main Thchnology Performance

额定电流、电压 Rate voltage,current	50mA DC12V
接触电阻 Contact resistance	≤100mΩ
按力 Operating force	±50gf
行程 travel	0.2±0.1mm
绝缘电阻 Insulated resistance	≥100MΩ
介电强度 Dielectric strength	≥250VAC/1min

Part No	H(高度)	Part No	H(高度)
SMG-01-H043A1	4.30	SMG-01-H075A1	7.50
SMG-01-H045A1	4.50	SMG-01-H080A1	8.00
SMG-01-H050A1	5.00	SMG-01-H085A1	8.50
SMG-01-H055A1	5.50	SMG-01-H090A1	9.00
SMG-01-H060A1	6.00	SMG-01-H095A1	9.50
SMG-01-H065A1	6.50	SMG-01-H100A1	10.0
SMG-01-H070A1	7.00		

项目 ITEM	名称 DESCRIPTION	材质 MATERIAL	数量 QTY	表面处理/颜色 FINISH/COLOR
E	按钮	PPA	1	黑色
D	盖板	铁盖板	1	镀铜锡
C	弹片	不锈钢	1	镀银
B	本体	PPA	1	黑色
A	卡件	黄铜	1	镀银

GENERAL TOLERANCES (UNLESS SOECIFIED)	SCALE: 1:1 UNIT: MM	TITLE:	PART NO.
		6*6*X插件 250GF	SMG-01-HXXXXA1
DISTANCE ANGLE X. ±0.30 X.° ±2.0° .X ±0.20 .X° ±1.0° .XX ±0.15 .XX° ±0.5°	Matthew	 SM switch Co., Ltd. 无锡斯茂科技有限公司 ISO 9001/ISO14001	SHEET NO 1 OF 1
	Benjamin		
	Michael		
/			
DRAFT WHERE APPLICABLE MUST REMAIN WITHIN DIMENSIONS	Alexander Sophia	THIRD ANGLE PRDJECTION	