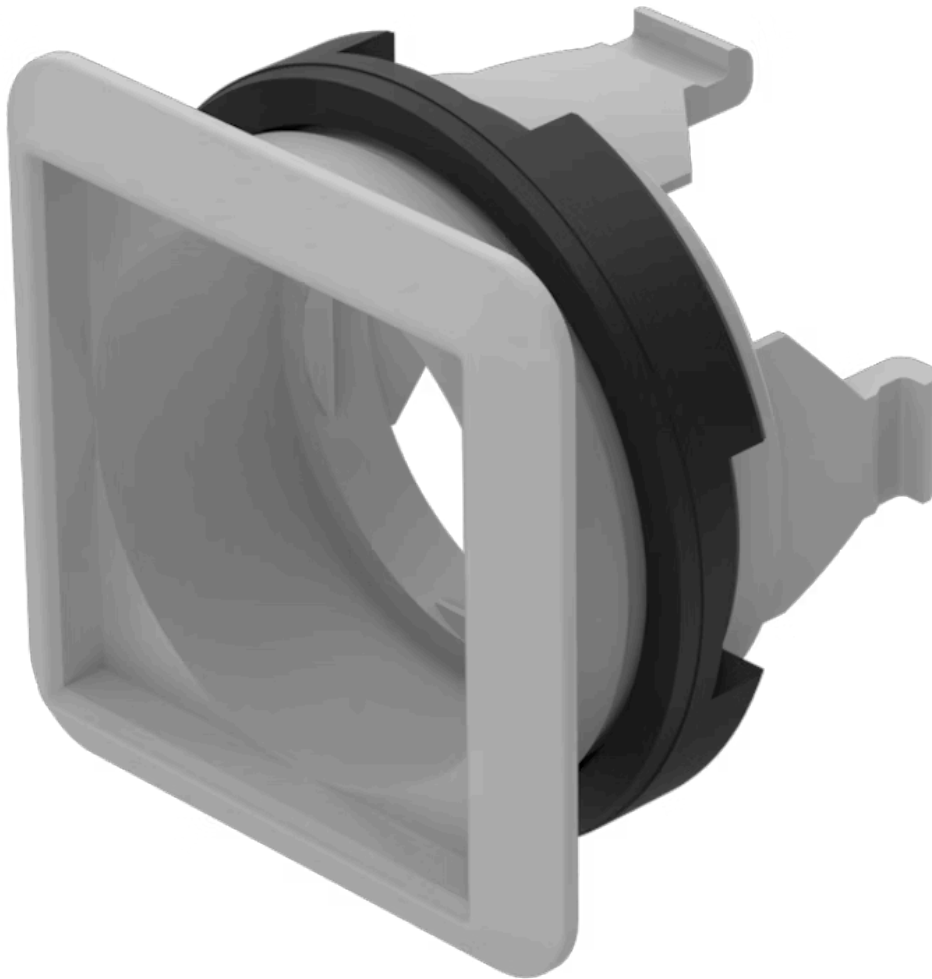


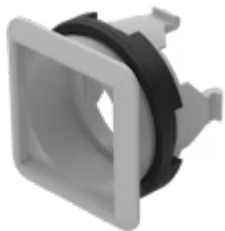
Actuator

92-
350.000



<https://eao.com/p/92-350.000>

Your product:



92-350.000 Actuator

FRONT

Front bezel colour:	White
Front form:	square
Front dimension:	18,4 mm x 18,4 mm
Front bezel material:	Plastic

MOUNTING

Design:	PCB
----------------	-----

OPERATING-/INDICATION PART

Lens illumination:	illuminative
---------------------------	--------------

ELECTRICAL CHARACTERISTICS

Electric strength:	500 VAC, 50 Hz, 1 minute according to IEC 60512-5-9c	
Switching voltage and switching current:	Switching voltage	min. 50 m VAC/DC max. 42 VAC/DC
	Switching current	min. 10 µA AC/DC max. 100 mA AC/DC
	Power rating	max. 2 W
Electrical lifetime:	500 000 cycles of operation at 42VDC, 50mA, according to IEC 6512-5-9c	
Electrostatic discharge (ESD):	15 kV	

MECHANICAL CHARATERISTIC

Weight:	0.003 kg
Tightening torque:	Fixing nut max. 0.5 Nm, Fixing screw mounting flange 0.4 Nm

Switching system:	Short-travel element
Switching action:	Momentary
Operating force:	2.7 N \pm 1 N switching element, 5 N lens
Switching system:	Short-travel switching system with 2 independent contact points Guarantees reliable switching even of very light loads. Fitted with 1 normally open contact.
Operating Travel:	ca. 0.4 mm switching element
Mechanical lifetime:	\geq 1 Mio. cycles of operation

AMBIENT CONDITION

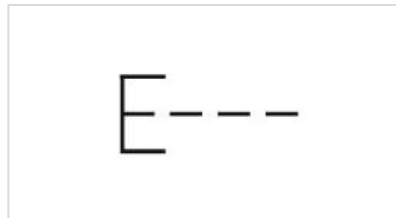
IP Protection:	IP40 front side
Storage temperature:	- 40 °C ... + 80 °C
Shock resistance:	Max. 500 m/s ² , pulse width, 3-axis (sinusoidal EN IEC 60068-2-27)
Vibration resistance:	Max. 100 m / s ² from 10 Hz ... 500 Hz, 10 cycles, 3-axis (sinusoidal EN IEC 60068-2-6)
Operating temperature:	- 25 °C ... + 70 °C

CERTIFICATE

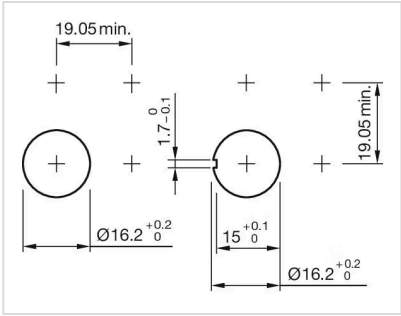
Conformities:	CE, UKCA, 2011 / 65 / EC (RoHS), 2014 / 35 / EU (LVD)
Approbations:	CQC

OTHER

Housing colour:	White
Short Description:	Actuator, 18,4 mm x 18,4 mm, illuminative, square, White, Plastic, Momentary
Housing material:	Plastic
Hints:	Lens translucent
Wiring diagrams:	



Mounting cut-outs:



Dimension drawings:

