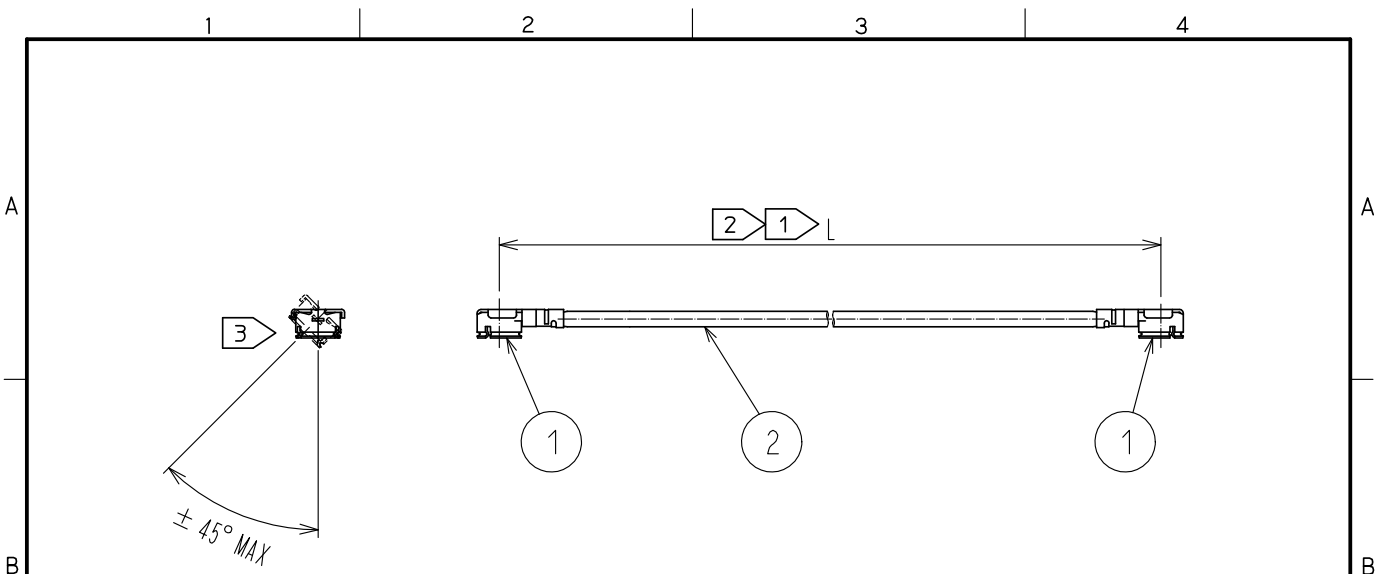


May.1.2026 Copyright 2026 HIROSE ELECTRIC CO., LTD. All Rights Reserved.  
 In case of consideration for using Automotive equipment / device which demand high reliability, kindly contact our sales window correspondents.



Part No.	Cable color
~04*1TV~	WHITE
~04*2TV~	BLACK

NOTE ① We indicate the length of the harness on the last of product name. 'L' part.

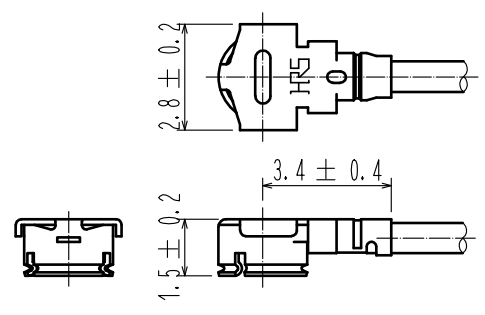
② Tolerance for [ L ]

Length L [mm]	Tolerance [mm]
$35 \leq L \leq 200$	±4
$200 < L \leq 500$	±8
$500 < L \leq 1000$	±12
$1000 < L$	±1.5%

③ Connector rotation angle is within ±45 degree from the above image.  
 For long length in the case of L>500, the angle is optional.

4. Specifications are subject to change without notice.

【 DIMENSIONS OF CONNECTOR 】



For stable supply of this series, material supplier of piece part#1 will be changed during 2019-2022. Please note this change in advance. There will be no difference in product performance and quality. ⚠

1	U.FL-LP(V)-040HF(06)	CL331-0559-9-06	2	0.81 Dia. coaxial cable	HALOGEN FREE		
NO.	PART NO.	CODE NO.	NO.	PART NO.			
UNITS mm		SCALE FREE	COUNT 2	DESCRIPTION OF REVISIONS DIS-D-00003761	DESIGNED MS. MATSUMOTO	CHECKED MT. KANEKO	DATE 20181217
<b>HRS</b> HIROSE ELECTRIC CO., LTD.	APPROVED	·NK. NINOMIYA	20180607	DRAWING NO.			
	CHECKED	·MT. KANEKO	20180606	PART NO. UFL-2LPVHF6-04**TV-A-L ①			
	DESIGNED	·MS. MATSUMOTO	20180606	CODE NO.			
	DRAWN	·MS. MATSUMOTO	20180606	①/1			