

PRODUCT NO.	RoHS compliant
DSWB08LHGET	

REV.	ECN NO.	DR	DATE

Note:

- All dimensions are in millimeters.
- General tolerance: $\pm 0.2\text{mm}$.
- Material:

Base:UL94V-0 PBT Thermoplastic(Black).
 Cover:UL94V-0 PBT Thermoplastic(Black/Red/Blue).
 Actuators:UL94V-0 PBT Thermoplastic(White).
 Contact plating:Gold plating over nickel.
 Pitting material:Epoxy.

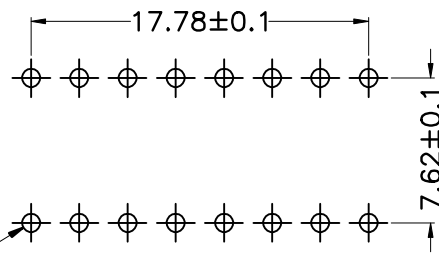
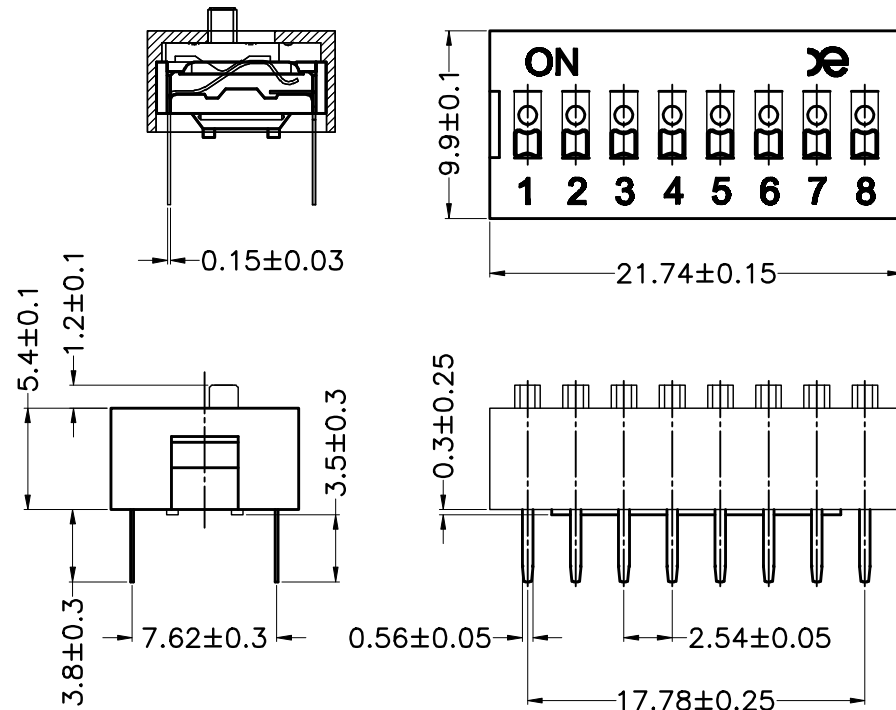
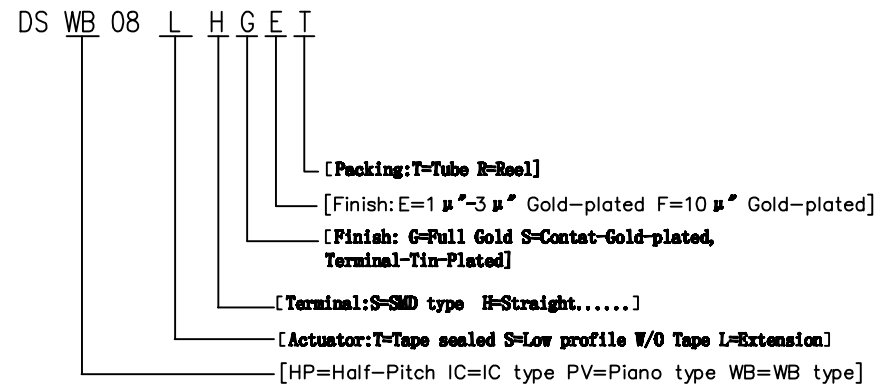
4. Electrical

Electrical:2000 Operations per switch 24/VDC, 25mA.
 Non-Switching Rating:100mA, 50/VDC.
 Switching Rating:25mA, 24/VDC
 Contact Resistance:100 m Ω Max.at initial.

5. Mechanical

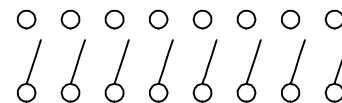
Mechanical life:2000 Operations per switch.
 Stroke:2.0mm.
 Operation Temp:-20 $^{\circ}\text{C}$ to 70 $^{\circ}\text{C}$.
 Storage Temp:-40 $^{\circ}\text{C}$ to 85 $^{\circ}\text{C}$.

6. PART NUMBER DESCRIPTION:



PCB Layout

SCHEMATIC(TYP.)



TOLERANCE UNLESS OTHERWISE SPECIFIED		INSPECTION COPY	东莞市广誉实业有限公司 DongGuan Kingtek Industrial Co., Ltd.				
LINER	ANGLES		TITLE				
.0 \pm 0.30	0. \pm 1'	PROJECTION	BY DSWB SERIES PITCH 2.54mm				
.00 \pm 0.20	.0 \pm 0.5'		PRODUCT FAMILY DSWB SERIES				
.000 \pm 0.10	.00 \pm	2013/07/02	PRAT NO. DSWB08LHGET				
DESIGN LU ER XIN			FILE NO. DSWB08LHGET-A				
DRAWING			SIZE	UNIT	SCALE	SHEET	REV.
CHECK			A4	mm	FIT	1 OF 1	A
APPRO.							