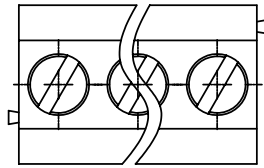


SIGN	DATE	DESCRIPTION	APPROVER
△	04/20/10	Add the tolerance table	Tason
△	10/19/10	Add the "cUL"	Tason

THIS IS CAD DRAWING, DO NOT REVISE MANUALLY!!!

N = Number of poles
 Dim A = (N-1) X 3.5
 Dim B = N x 3.5 △

	Dim A	Dim B
2P	±0.10	±0.10
3-6p	±0.15	±0.15
7-12p	±0.20	±0.20
13-18p	±0.30	±0.30
19-24p	±0.40	±0.40

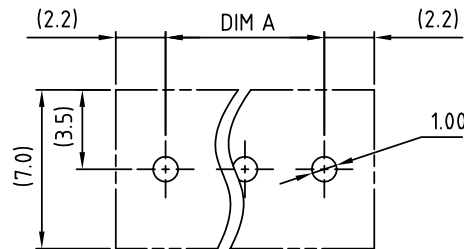
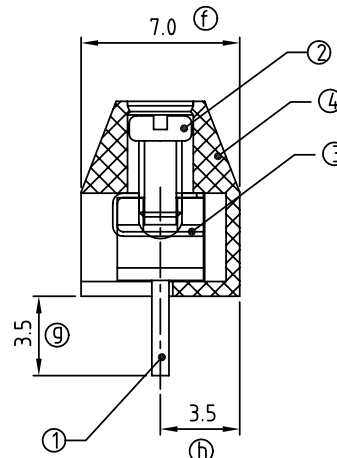
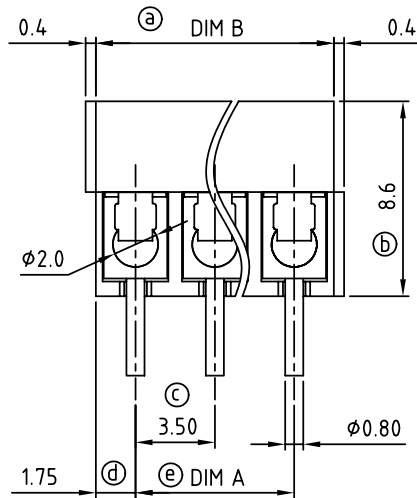


Material

- Item ① Terminal body(metal housing): Brass(CuZn), Tin plated
- Item ② Terminal screw: Steel Zinc plating "-" slot type
- Item ③ Wire guard: Stainless steel
- Item ④ Insulator (housing): Thermoplastic (UL94V-0)

Electrical UL/CUL

- Voltage rating: 125VAC/125V
- Current rating: 10A/10A
- Wire range:
- Solid wire(AWG): 16-26/16-26
- Stranded wire(AWG): 16-26/16-16
- Torque(Lb-In): 1.7/1.7
- Screw: M2
- Wire strip length: 5-6mm
- Withstanding Voltage: 1.25KV
- Operating temperature: -40°C to +115°C
- Soldering temperature: 250°C±10°C/5 Sec
- Safety Approval:



P.C.B. LAYOUT

T5 xx 01 x 0 xxxx G			
02	2 CONTACTS	COLOR	0000: "@ " Logo
03	3 CONTACTS	0 Black (RAL9005)	000A: "ANYTEK" Logo
...	...	5 Green(RAL6018/T)	Any special item by customer request.
24	24 CONTACTS	6 Blue (RAL5015/A)	please contact sales department.
		8 Grey(RAL7035/D)	

ANYTEK

CUSTOMER COPY

ALL RIGHTS RESERVED. REPRODUCTION OR ISSUE TO THIRD PARTIES IN ANY FORM WHATSOEVER IS NOT PERMITTED WITHOUT WRITTEN AUTHORITY FROM THE PROPRIETOR. PROPERTY OF ANYTEK TECHNOLOGY CO., LTD

TITLE		T5-3.5mm Series		DWG NO.		8T50001	
APPROVED	CHECKED	DESIGNED	DRAWN	CUST NO.		Tolerance	
		Tason	Tason			UNIT: mm	X. ±0.50
		2010.10.19	2010.04.20			SCALE: NONE	X.X ±0.30
						SHEET: 01/01	X.XX ±0.10
						REV.: F	X° ±1°