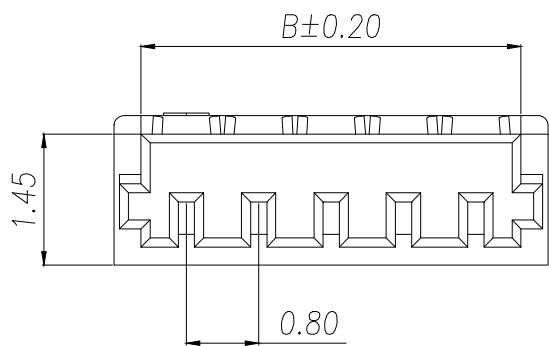
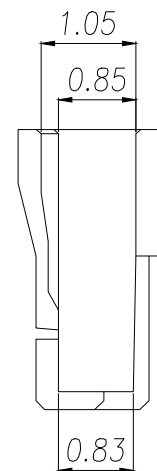
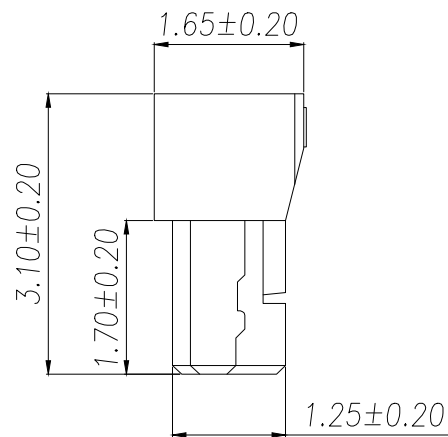
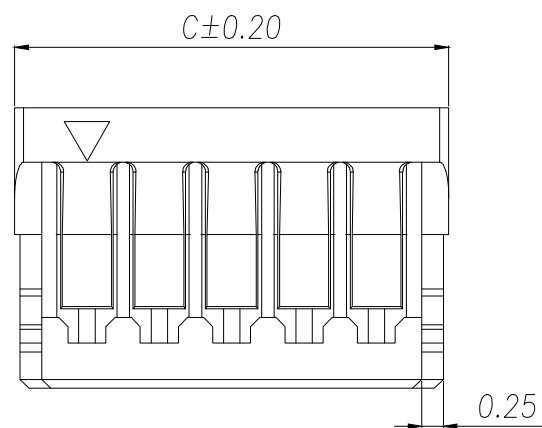


Specifications(规格):
 Voltage rating(额定电压):30V AC/DC
 Current rating(额定电流):0.5A AC/DC
 Withstanding voltage(耐压值):200V AC/minute
 Temperature range(工作温度):-25°C~+85°C
 Insulation resistance(绝缘电阻):>100MΩ
 Contact resistance(接触电阻):<20mΩ
 Afer environmental testing(环境测试后):≤30mΩ
 Material(材质):PA46



Poles	Dimensionss(mm)		
	A	B	C
ZX-0.8-2PJK	0.80	1.80	2.80
ZX-0.8-3PJK	1.60	2.60	3.20
ZX-0.8-4PJK	2.40	3.40	4.00
ZX-0.8-5PJK	3.20	4.20	4.80
ZX-0.8-6PJK	4.00	5.00	5.60
ZX-0.8-7PJK	4.80	5.80	6.40
ZX-0.8-8PJK	5.60	6.60	7.20
ZX-0.8-9PJK	6.40	7.40	8.00
ZX-0.8-10PJK	7.20	8.20	8.80
ZX-0.8-11PJK	8.00	9.00	9.60
ZX-0.8-12PJK	8.80	9.80	10.40
ZX-0.8-13PJK	9.60	10.60	11.20
ZX-0.8-14PJK	10.40	11.40	12.00
ZX-0.8-15PJK	11.20	12.20	12.80
ZX-0.8-16PJK	12.00	13.00	13.60
ZX-0.8-17PJK	12.80	13.80	14.40
ZX-0.8-18PJK	13.60	14.60	15.20
ZX-0.8-19PJK	14.40	15.40	16.00
ZX-0.8-20PJK	15.20	16.20	16.80

制图 DRAWN	变更内容 DESCRIPTION	日期 DATE	GENERAL TOLERANCE	制图 DRAWING
			.X±0.30	审核 CHECK
			.XX±0.20	核准 APPROVAL
			.XXX±0.10	单位 UNITS

ROSE
LEO
JOHN
MM
SCALE 1:1

料号 PART NO.	ZX-0.8-NPJK	版本 REV.	A
品名 TITLE	0.80mm Crimp Style connectors	页次 SHEET	1/1
客户料号 CUTM.NO.			

兆星精密电子(深圳)有限公司
 ShenZhen ZhaoXing Precision electronics Co., Ltd.