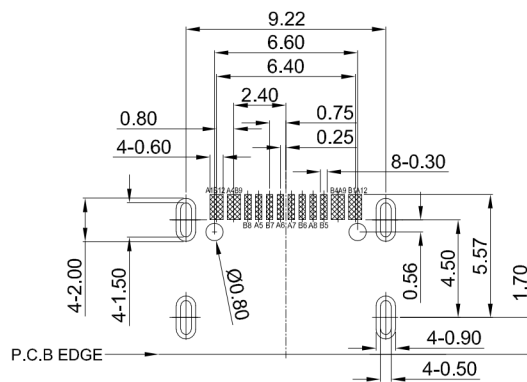
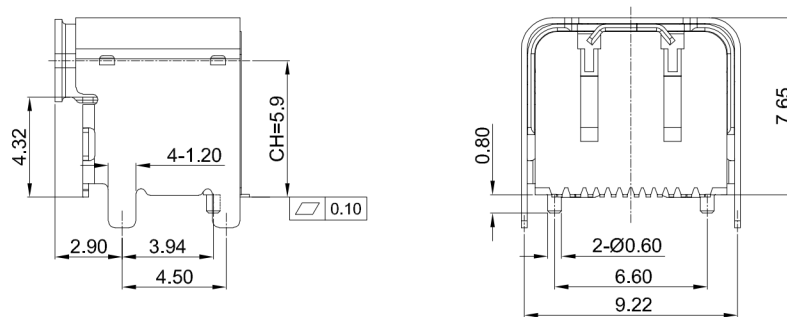


AFTER MATING



RECOMMENDED PCB LAYOUT TOLERANCE:±0.05

G-Switch USB-C Specification:

- 1.Current rated: 5A on vbus/1.25A on vconn/0.25A on other
- 2.Voltage rating: 24V AC
- 3.Withstanding voltage: 100V AC/minute
- 4.Contact resistance: 40mΩ Max
- 5.Insulation resistance: 100MΩ Min
- 6.Operating temperature: -40°C ~ +85°C
- 7.Mating force: 5N~20N
- 8.Unmating force: 8N~20N
- 9.Durability cycle:10,000 cycles
- 9.Compliant with: IEC62680-1-3

A1	A2	A3	A4	A5	A6	A7	A8	A9	A10	A11	A12
GND			VBUS	CC1	D+	D-	SBU1	VBUS			GND
First			First	Second	Second	Second	Second	First			First
B12	B11	B10	B9	B8	B7	B6	B5	B4	B3	B2	B1
GND			VBUS	SBU2	D-	D+	CC2	VBUS			GND
First			First	Second	Second	Second	Second	First			First

1	HOUSING	HIGH TEMPERATURE PLASTIC	BLACK UL 94 V-0
2	CONTACT	COPPER ALLOY	Au1u" MIN PLATING ON CONTACT AREA
3	SHIELDING PLATE	STAINLESS STEEL	CLEAN
4	INNER SHELL	STAINLESS STEEL	Ni40u" MIN PLATED
5	OUTER SHELL	STAINLESS STEEL	Ni40u" MIN PLATED
NO.	PARTS	MATERIAL	REMARKS



SCALE: 1:1 UNIT: mm
SIZE: A4

Unless otherwise General Tolerance:
X. ±0.25
X.x ±0.20
X.xx ±0.15
X.xxx ±0.10
X* ±5°

Title: Horizontal Type-c 16P Female
Pad up 4.3 CH=5.9 L=8.0mm

Molde Code: GT-USB-9016A01

DRAWN	CHECKED	APPROVED	DATE
Xla	Chen	Chen	2023.02.01



REV: A0 SHEET: 1/1