

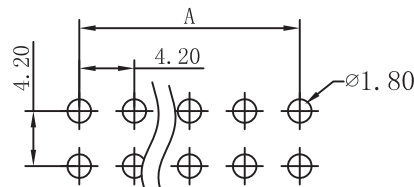
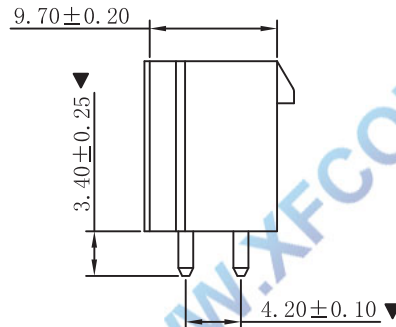
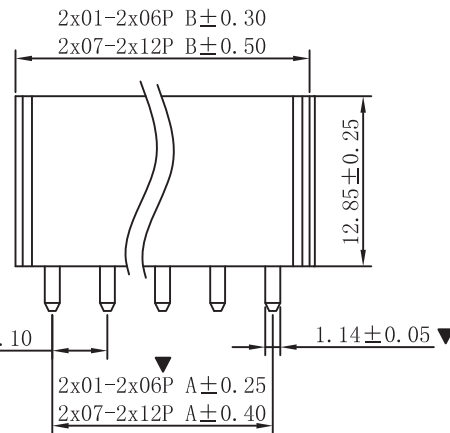
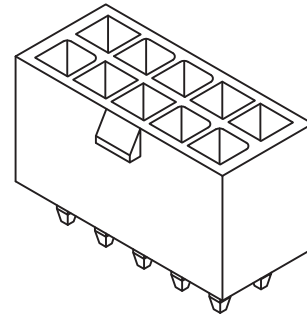
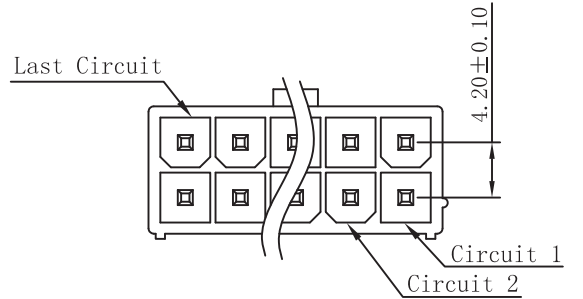
**SPECIFICATIONS**

- 1.Voltage rating: 600V AC, DC
- 2.Current rating: 9A, AC, DC
- 3.Withstanding Voltage: 1500V AC/minute
- 4.Insulation resistance:1000M min
- 5.Temperature range: -25 ° C-+85 ° C
- 6.Contact resistance: 10m max

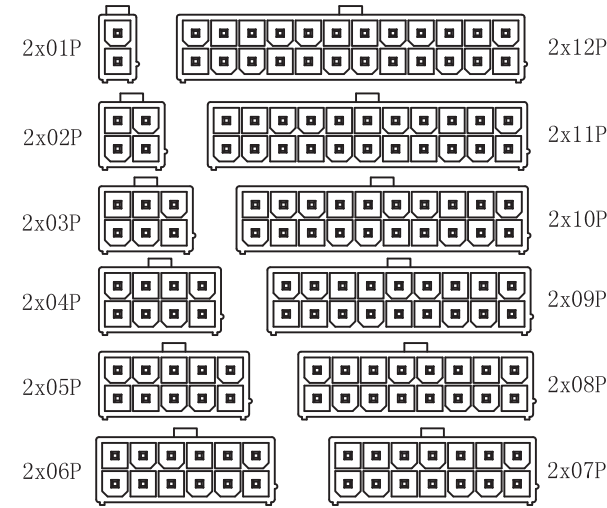
WAFER  
 Housing Material: Nylon66 UL 94V0 ( 2 )  
 Pin Material: Phosphor Bronze or Brass  
 Contact Area Plating: Plated Tin or Plated Gold  
 Mates with :P4202-2xXX series Housing  
 Poles:02-24P  
 Part No.: M4202V-2xXX-XX-XX

G=镀金 G3=镀金3U  
 无=镀锡  
 N2=Pa66-V2  
 N0=Pa66-V0

Pin位数



P. C. B LAYOUT



CIRCUIT SIZE LAYOUT

| PART NO. | Dimensions (mm) |       |
|----------|-----------------|-------|
|          | A               | B     |
| 2x01     | --              | 5.60  |
| 2x02     | 4.20            | 9.80  |
| 2x03     | 8.40            | 14.00 |
| 2x04     | 12.60           | 18.20 |
| 2x05     | 16.80           | 22.40 |
| 2x06     | 21.00           | 26.60 |
| 2x07     | 25.20           | 30.80 |
| 2x08     | 29.40           | 35.00 |
| 2x09     | 33.60           | 39.20 |
| 2x10     | 37.80           | 43.40 |
| 2x11     | 42.00           | 47.60 |
| 2x12     | 46.20           | 51.80 |

|    |              |  |  |                            |       |       |        |   |              |                               |         |             |
|----|--------------|--|--|----------------------------|-------|-------|--------|---|--------------|-------------------------------|---------|-------------|
|    |              |  |  | TOLERANCE UNLESS OTHERWISE |       | DRAWN | CK tan | XFCN兴飞连接器有限公司<br>CONNECTORS XFCN CONNECTORS CO., LTD. |              | SHEET                         | 1/1     |             |
|    |              |  |  | X.                         | ±0.30 | X°    | ±5°    |   |              | CHKD                          | DATE    | 2010. 4. 12 |
|    |              |  |  | .X                         | ±0.20 | .X°   | ±2°    | APPD  | PRODUCT NAME | 4.20mm Crimp Style Connectors |         |             |
|    |              |  |  | .XX                        | ±0.08 | .XX°  | ±1°    | VIEW  | PART. NO.    | M4202V-2xXX-XX-XX             |         |             |
| A0 | MODIFICATION |  |  | DATE                       | .XXX  | ±0.03 | .XXX°  | VIEW  |              |                               | DWG NO. | 009         |