

NOTE:

1.MATERIAL SPECIFICATION:

- 1.HOUSING:HIGH TEMPERATURE RESISTANT PLASTIC,UL94 V-0.
- 2.TERMINAL: COPPER ALLOY(C1814)
- 3.MID PLATE: STAINLESS STEEL(SUS301)
- 4.FRONT SHELL: STAINLESS STEEL(SUS304)

2.PLATING SPECIFICATION:

2-1.TERMINAL:

Ni 50u" MIN. UNDER PLATED OVER ALL.
 Au PLATED ON THE FUNCTIONAL AREA OF CONTACT.
 CONTACT FUNCTIONAL AREA PLATED : Au 3u"
 CONTACT SOLDER AREA PLATED : Au G/F"

2-2.FRONT SHELL:

Ni 30u" MIN. UNDER PLATED OVER ALL.

2-3.MID PLATE PLATE:

CLEAR ONLY

3.MECHANICAL PERFORMANCE,

- 3-1.INSERTION FORCE: 0.5~2.0kgf.
- 3-2.REMOVAL FORCE: 0.8kgf~2.0kgf.
- 3-3.DURABILITY: 10000 CYCLES.

4.ELECTRICAL PERFORMANCE,

- 4-1. VOLTAGE RATING:5 V DC/AC (RMS. max)
 CURRENT RATING:5 AMPS. FOR TOTAL VBUS/GND PINS;
 1.25AMPS FOR CC PIN,0.25 AMPS. FOR ALL OTHER CONTACT.
- 4-2. LLCR:
 VBUS & GND PINS AND OTHER PINS: 40mA/PIN MAX.
 SHIELD: 50mA/MAX.
 LLCR MAX. CHANGE OF ALL PINS: 10mA.
- 4-3.INSULATION RESISTANCE: 100MΩ MIN
- 4-4.DIELECTRIC WITHSTAND VOLTAGE,AC 100V FOR 1 MINUTE.

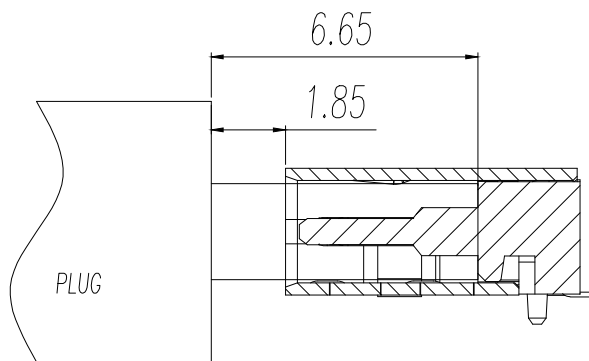
5. ENVIRONMENTAL PERFORMANCE:

OPERATING TEMPERATURE: -40°C~+85°C.

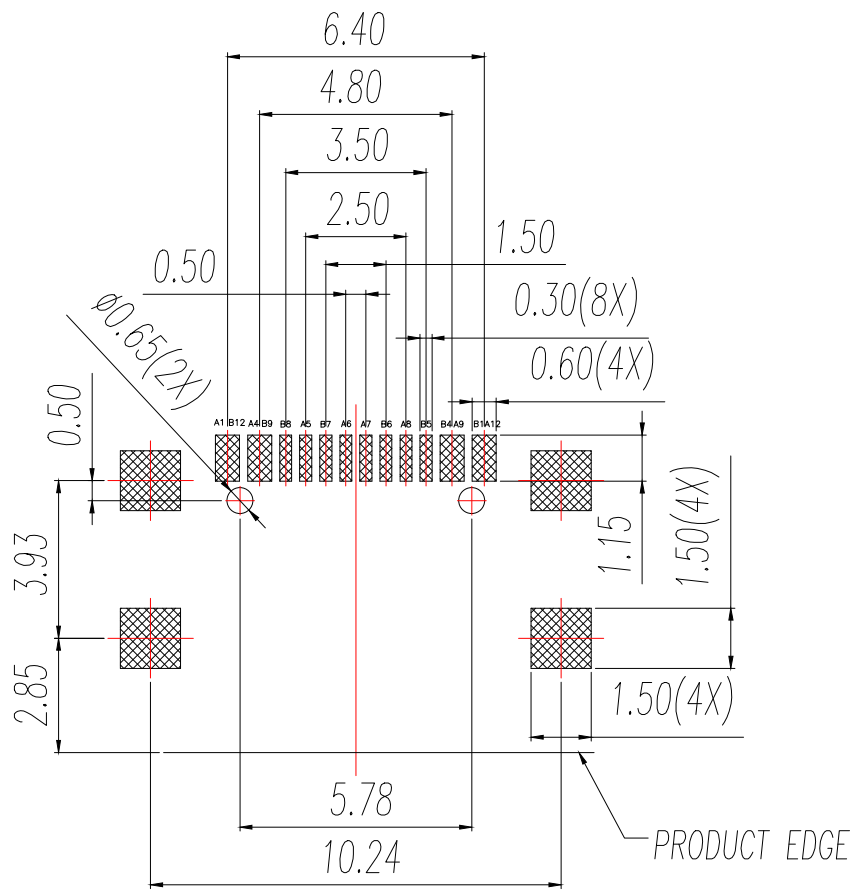
6.IR REFLOW:

THE PEAK TEMPERATURE ON THE BOARD SHALL
 BE MAINTAINED FOR 10 SECONDS AT 260°C.

制图 DRAWN	变更内容 DESCRIPTION	日期 DATE	GENERAL TOLERANCE		制图 DRAWING	EMMA	料号 PART NO.	BX-TYPE-C-MWT16P	版本 REV.	A
			X±0.30	X'±10'						
			X±0.20	.X'±8'	审核 CHECK	EVA	品名 TITLE	USB CF 16PIN (L=7.35) WITH POST	页次 SHEET	1/1
			.XX±0.10	.XX'±5'	批准 APPROVAL	JADE	客户料号 CUTM.NO.			
					单位 UNITS	MM	比例 SCALE	1:1		



AFTER MATING



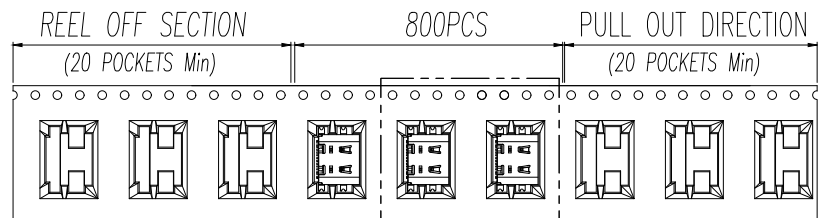
RECOMMENDED PCB LAYOUT(TOP VIEW)
THICKNESS 0.80MM;DEFAULT TOLERANCE:±0.05

USB TYPE-C PIN ASSIGNMENTS

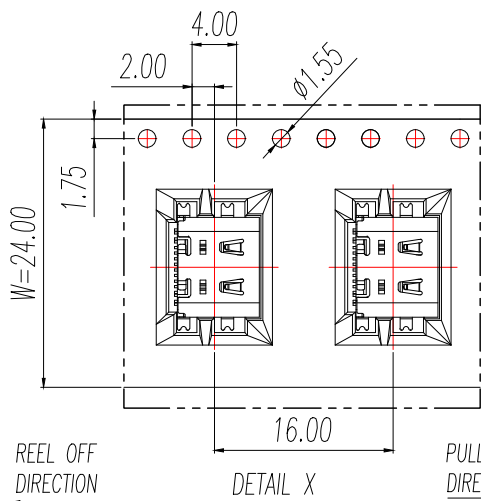
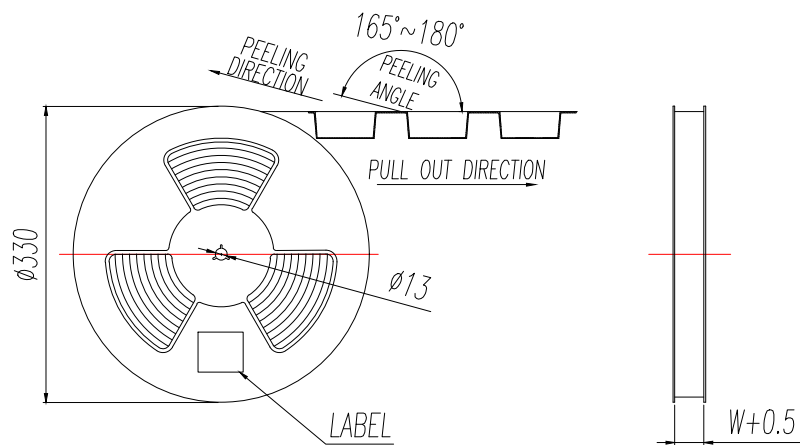
PIN NUMBER	SIGNAL NAME
A1	GND
A4	VBUS
A5	CC1
A6	Dp1
A7	Dn1
A8	SBU1
A9	VBUS
A12	GND

PIN NUMBER	SIGNAL NAME
B12	GND
B9	VBUS
B8	SBU2
B7	Dn2
B6	Dp2
B5	CC2
B4	VBUS
B1	GND

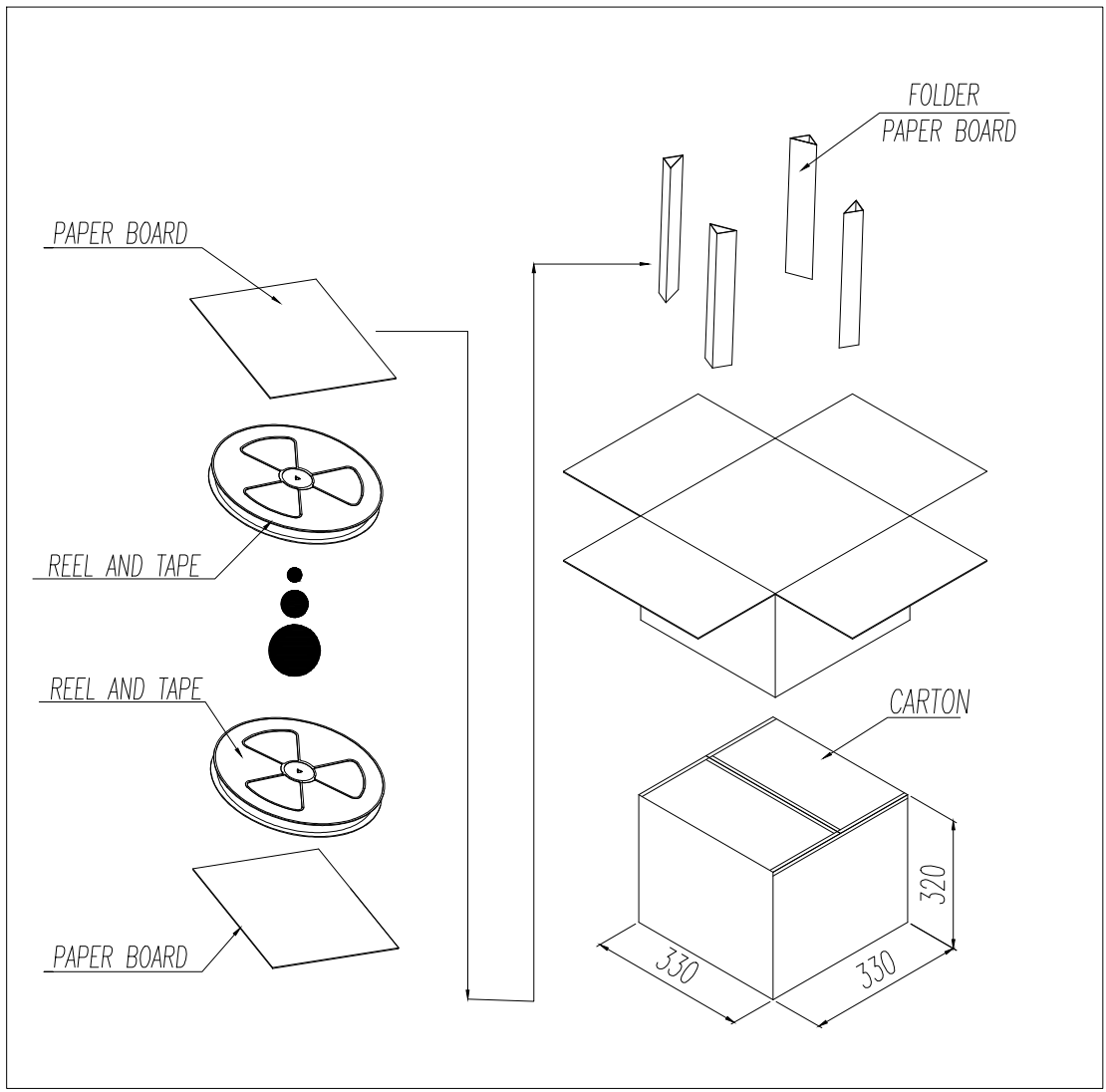
制图 DRAWN	变更内容 DESCRIPTION	日期 DATE	GENERAL TOLERANCE		制图 DRAWING	EMMA		料号 PART NO.	BX-TYPE-C-MWT16P	版本 REV.	A
			X.±0.30	X.*±10'	审核 CHECK	EVA		品名 TITLE	USB CF 16PIN (L=7.35) WITH POST	页次 SHEET	1/1
			.X±0.20	.X*±8'	批准 APPROVAL	JADE		客户料号 CUTIM.NO.			
			.XX±0.10	.XX*±5'	单位 UNITS	MM	比例 SCALE	1:1			



SEE DETAIL X



	REEL	CARTON
CONNECTOR (PCS)	800	8000



制图 DRAWN	变更内容 DESCRIPTION	日期 DATE	GENERAL TOLERANCE		制图 DRAWING	EMMA	料号 PART NO.	BX-TYPE-C-MWT16P	版本 REV.	A										
			X.±0.30	X'.±10'							审核 CHECK	EVA	品名 TITLE	USB CF 16PIN (L=7.35) WITH POST	页次 SHEET	1/1				
			.X±0.20	.X'±8"													批准 APPROVAL	JADE	客户料号 CUTM.NO.	
			.XX±0.10	.XX'±5'																
						Bossie (博锡)														